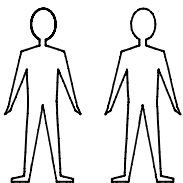


Item Description : Camp 3 Doors Wardrobe
Model No : 63003
Dimension : W: 151,5 / D: 61 / H: 208
Total Weight of Item : 145 kg

People Required



For Professional assembly only

Time Required: 1 hrs. 20 min.

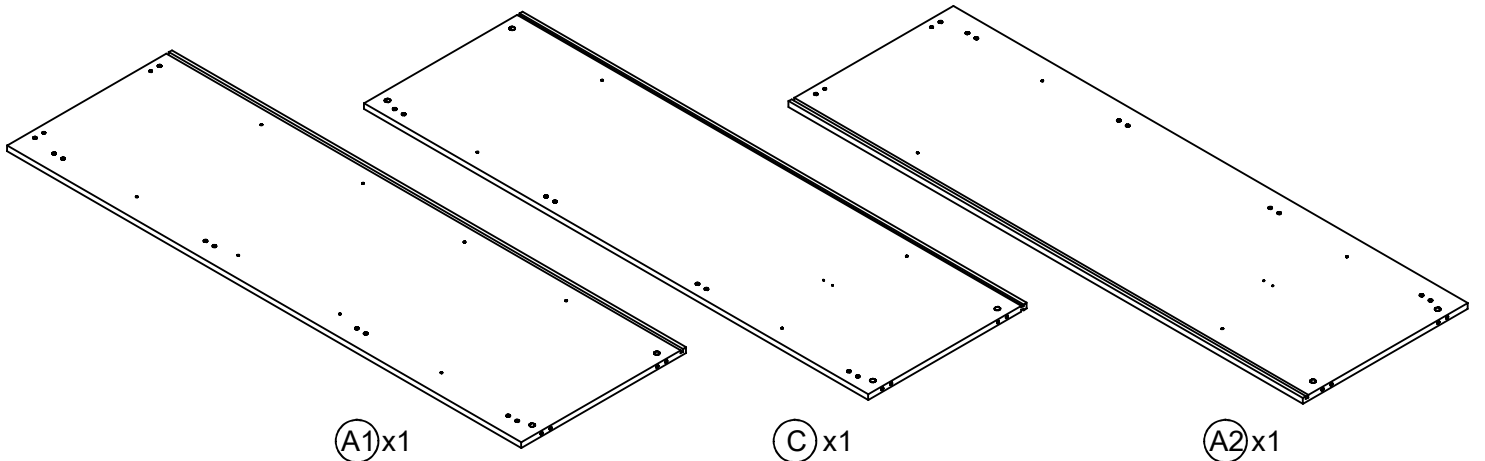
Tools Needed



* Vertical assembly only.

* Please cover floor with corrugated board / paper to avoid scratches / damage to floor.

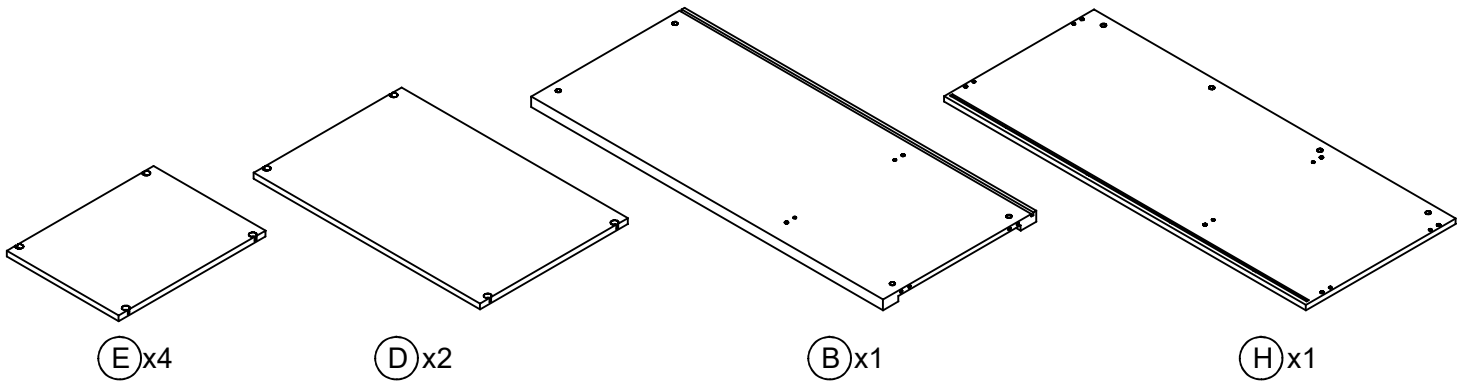
Parts supplied for assembly



Ⓐ1x1

Ⓒx1

Ⓐ2x1

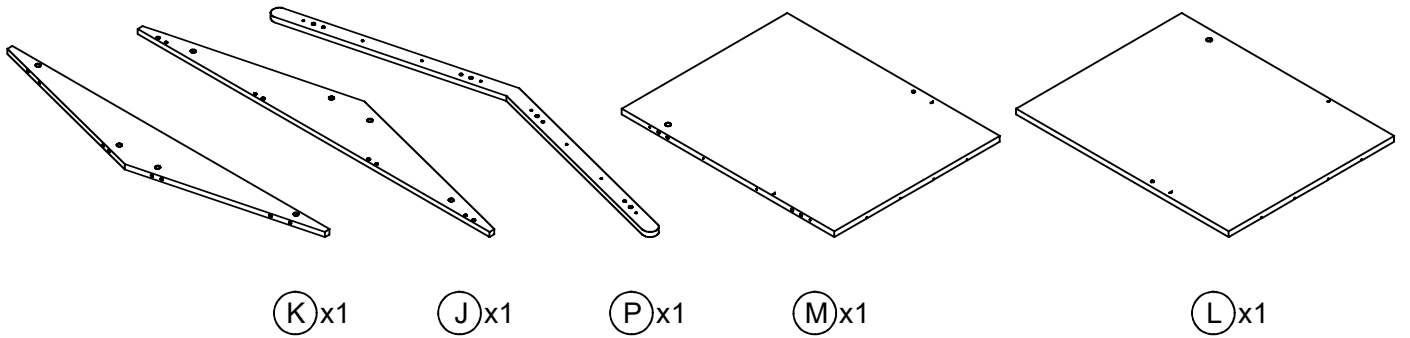


Ⓔx4

Ⓓx2

Ⓑx1

Ⓕx1



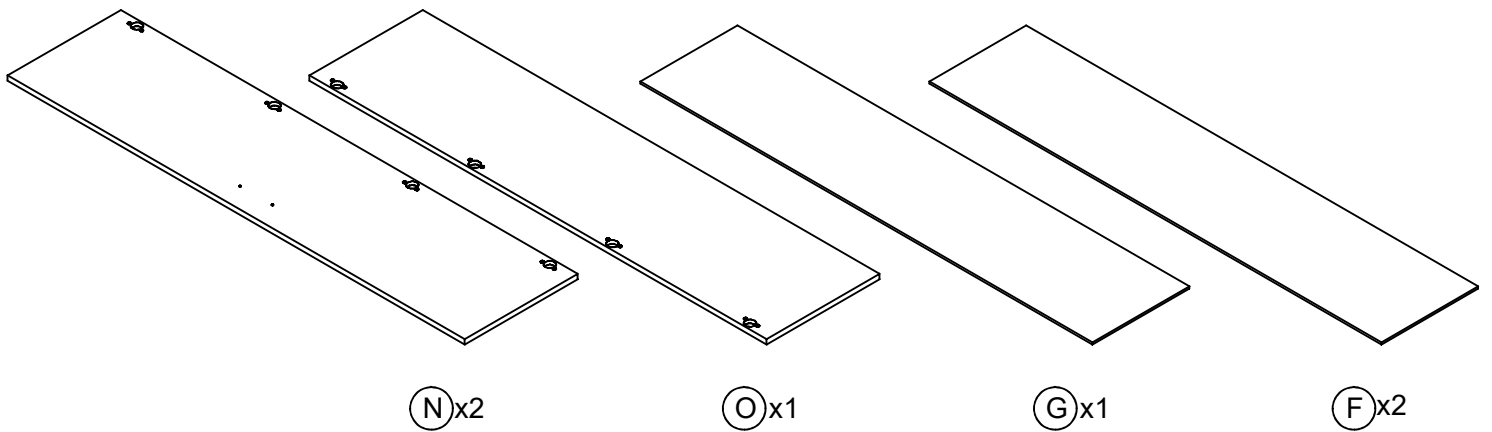
Ⓚx1

Ⓝx1

Ⓟx1

Ⓜx1

Ⓛx1



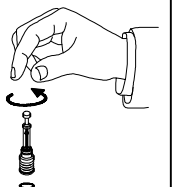
Ⓝx2

Ⓞx1

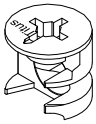
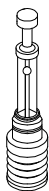


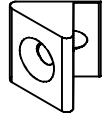
ⓖx1



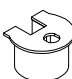

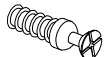
ⓕx2

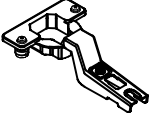
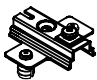
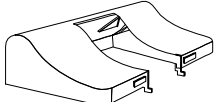

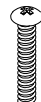
Part List	A1	A2	B	C	D	E	F	G	H	J	K	L	M	N	O	P
Carton Box No.	1	1	2	1	2	2	5	5	3	3	3	3	3	4	4	3

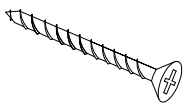
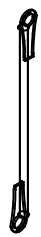
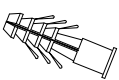
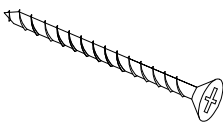
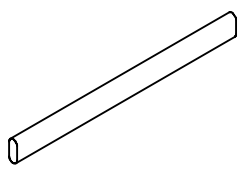


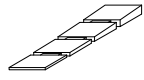
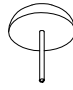
Hardware supplied for assembly

				
a x 32	b x 32	c x 32	d x 32	e x 10

				
3,5*25 mm p x 12	3,5*16 mm n x 14	ra x 8	rb x 16	r x 24

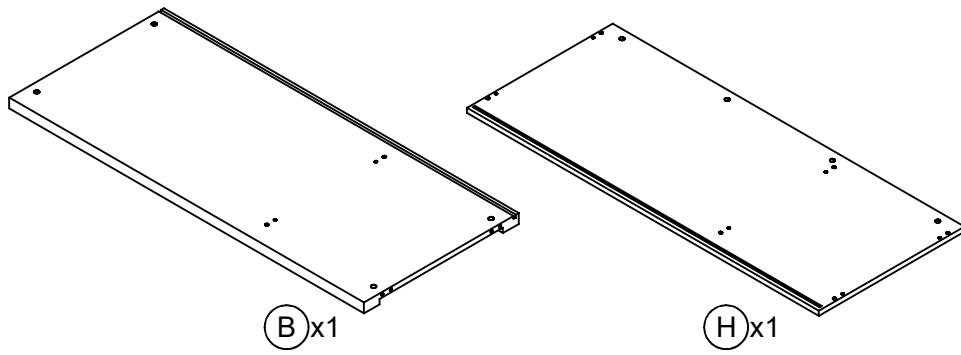
				
ca x 12	cb x 12	ba x 6	tb x 2	M4*22 mm k x 4

				
4*30 mm s x 1	u x 1	Ø8 mm v x 1	4*50 mm y x 1	cd x 1

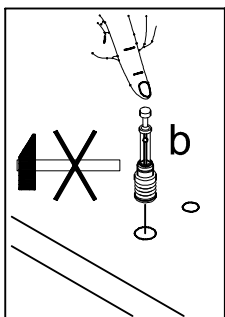
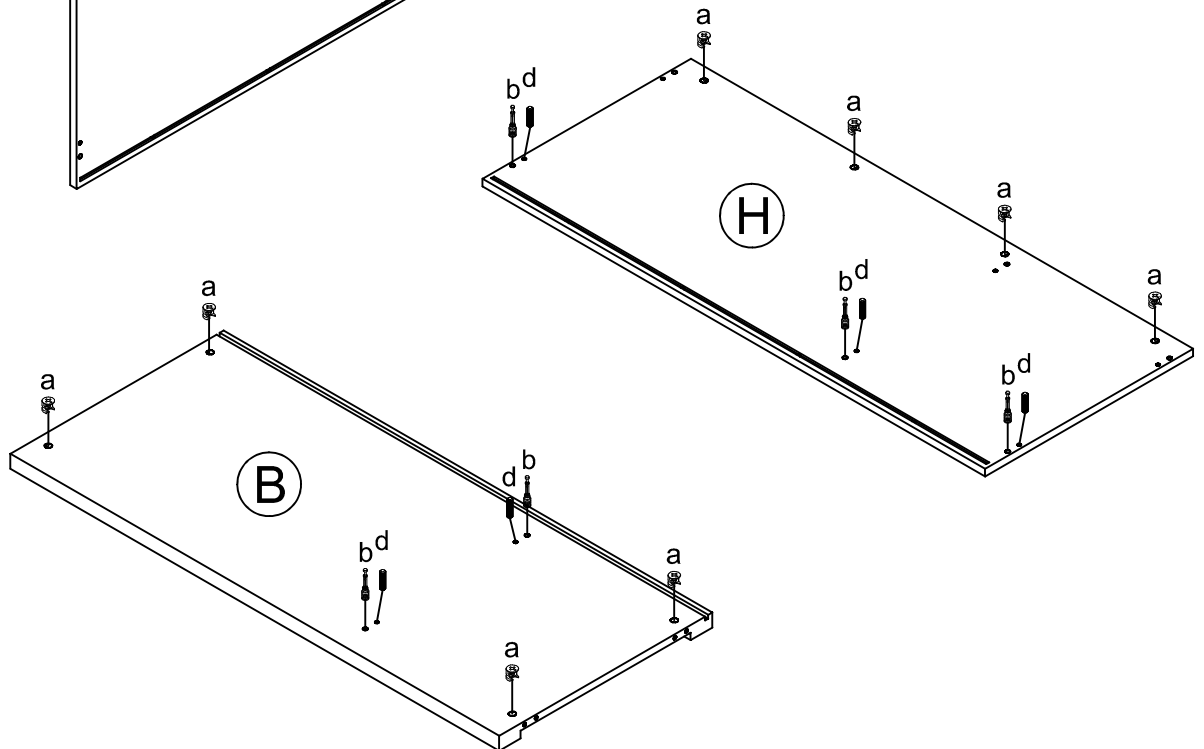
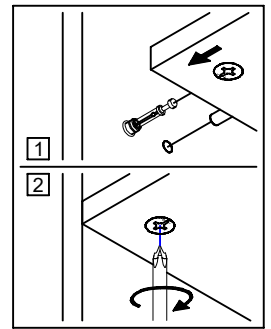
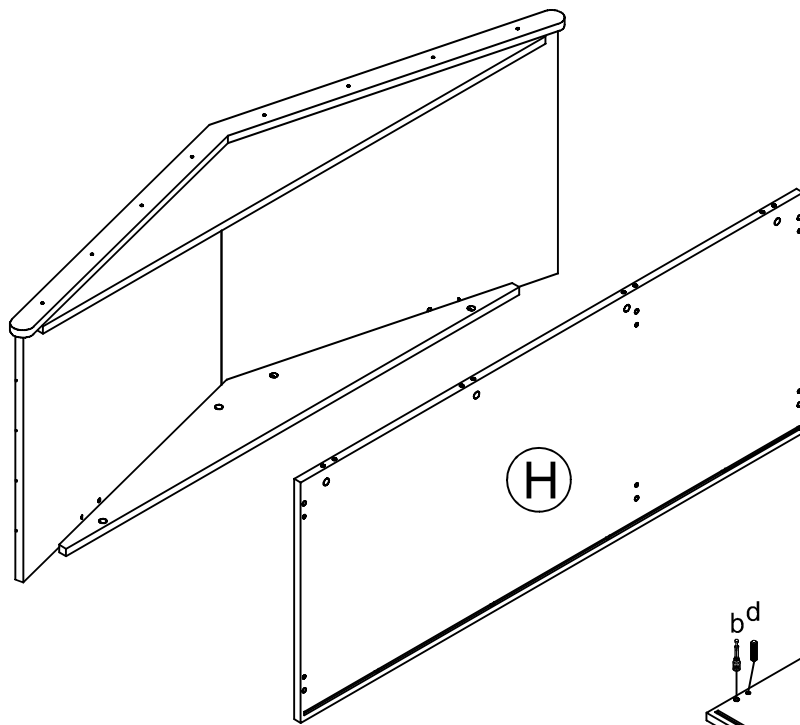
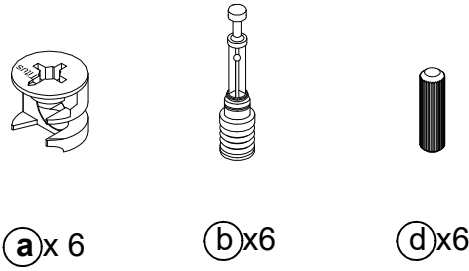
				
z x 1	kb x 8			

Step 1

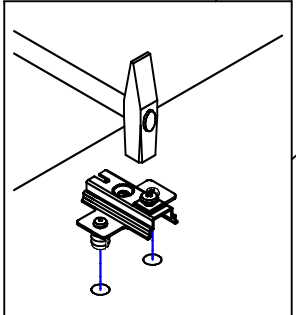
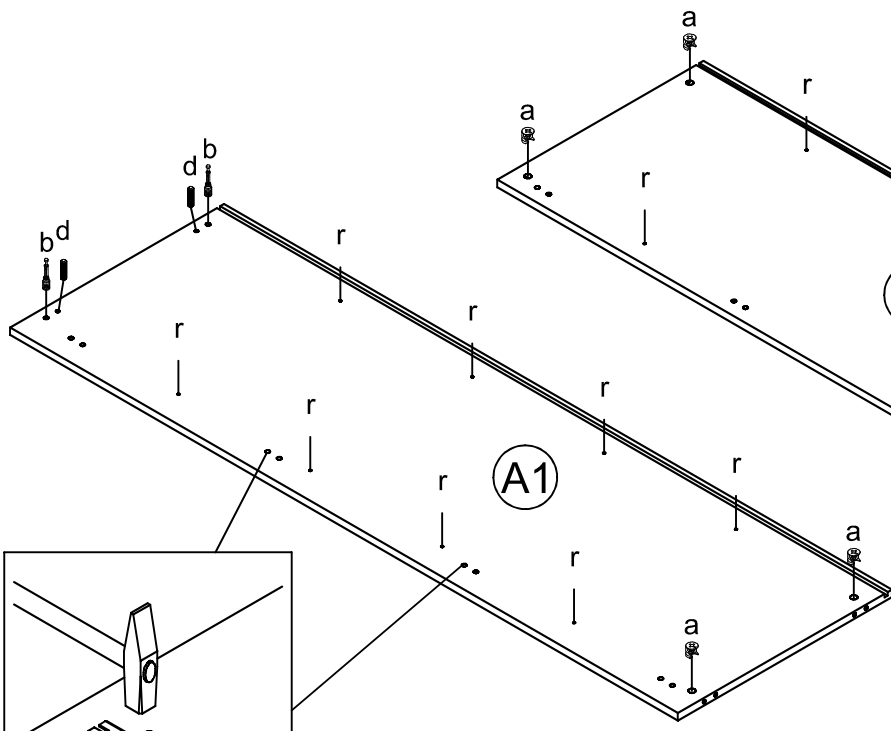
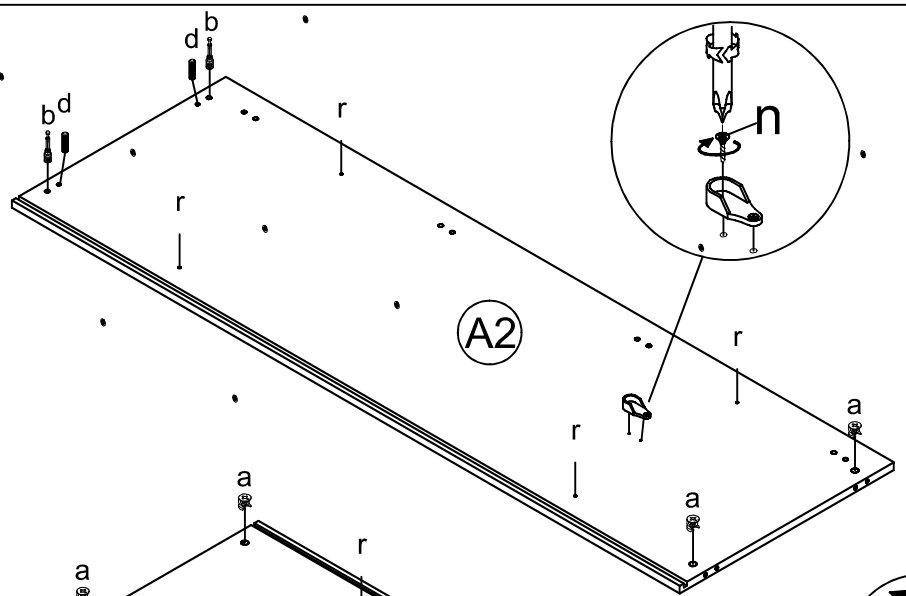
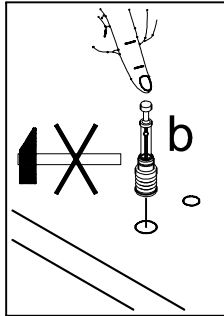
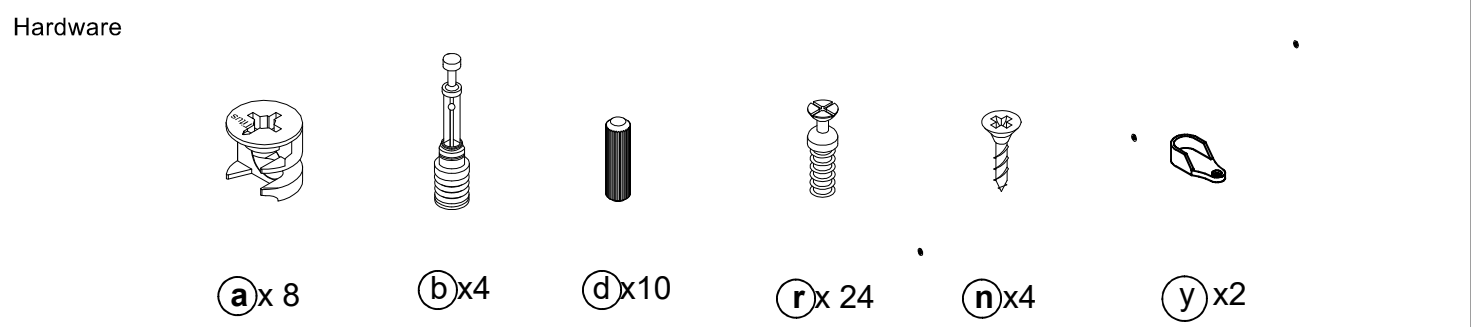
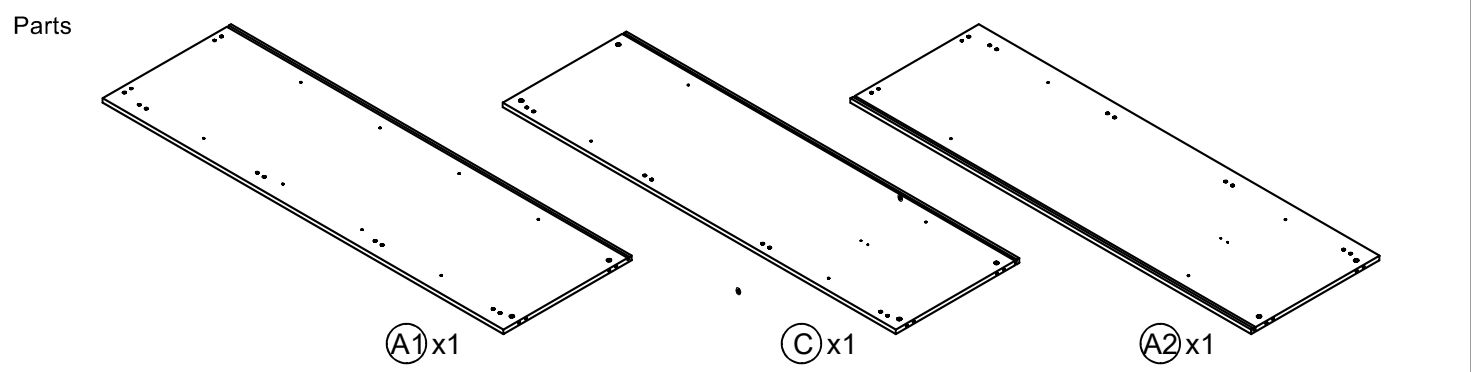
Parts



Hardware

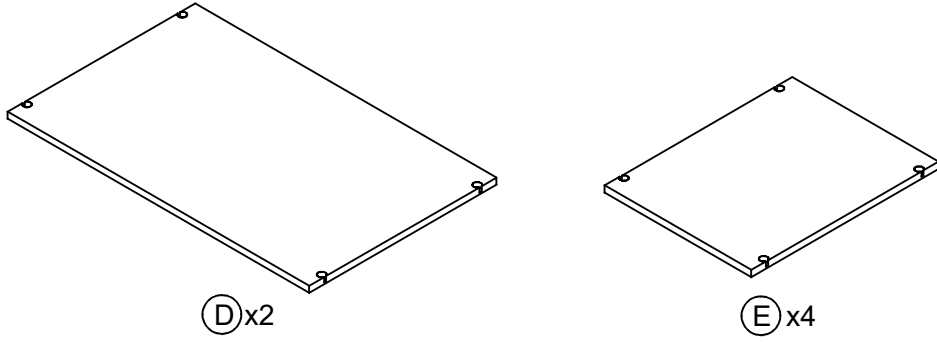


Step 2



Step 3

Parts



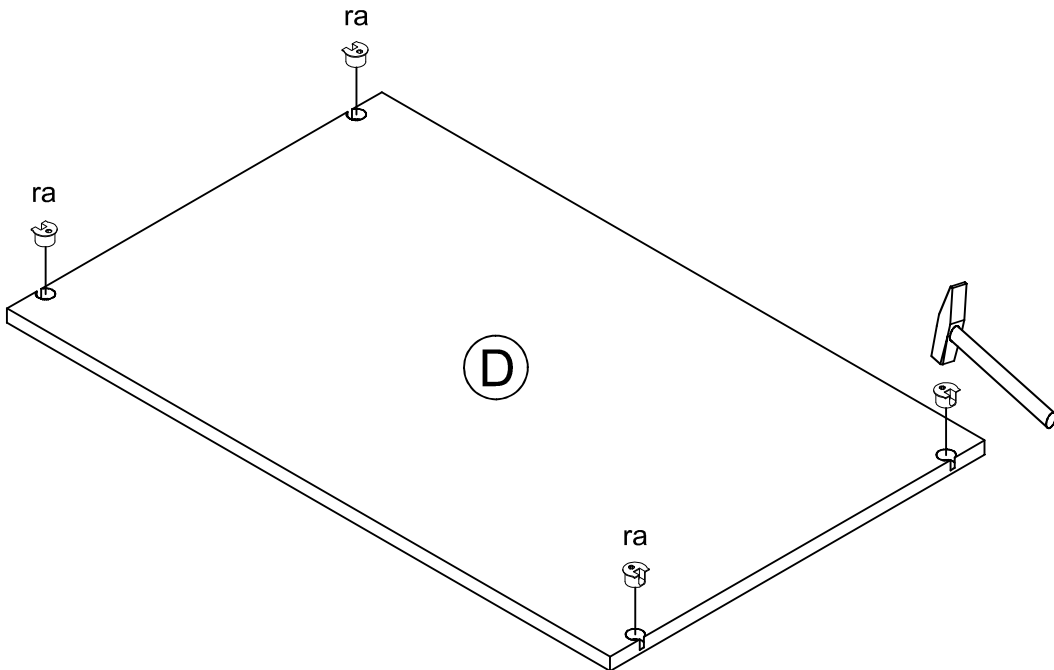
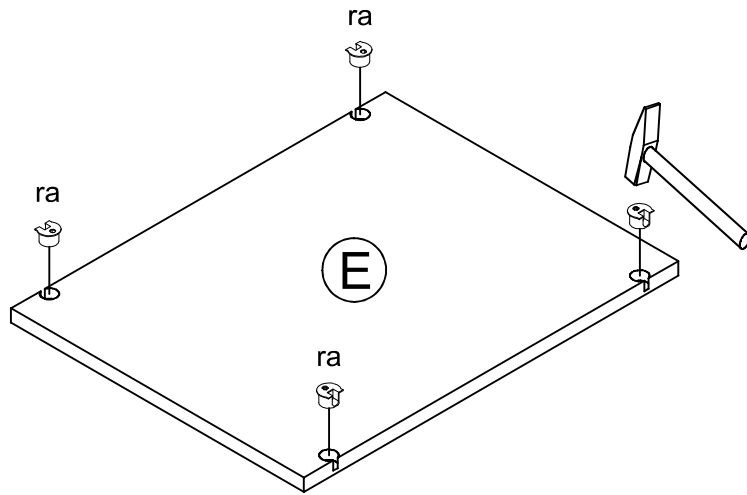
Hardware



(ra)x8

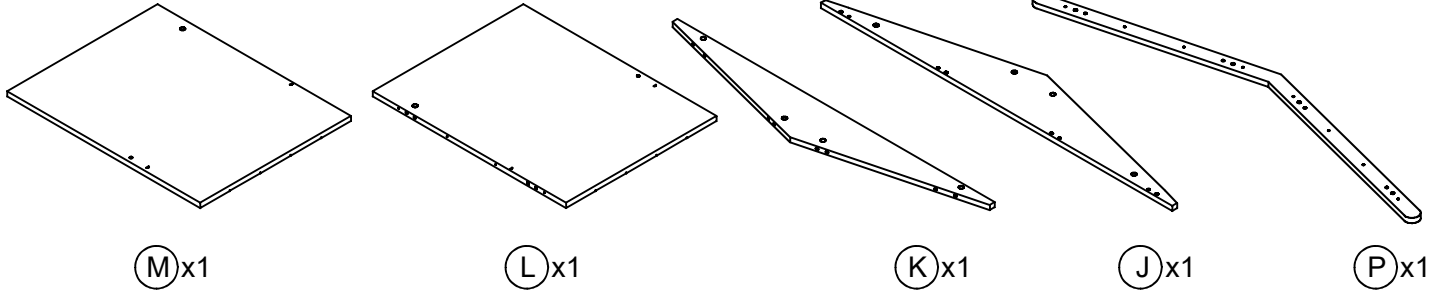


(rb)x16

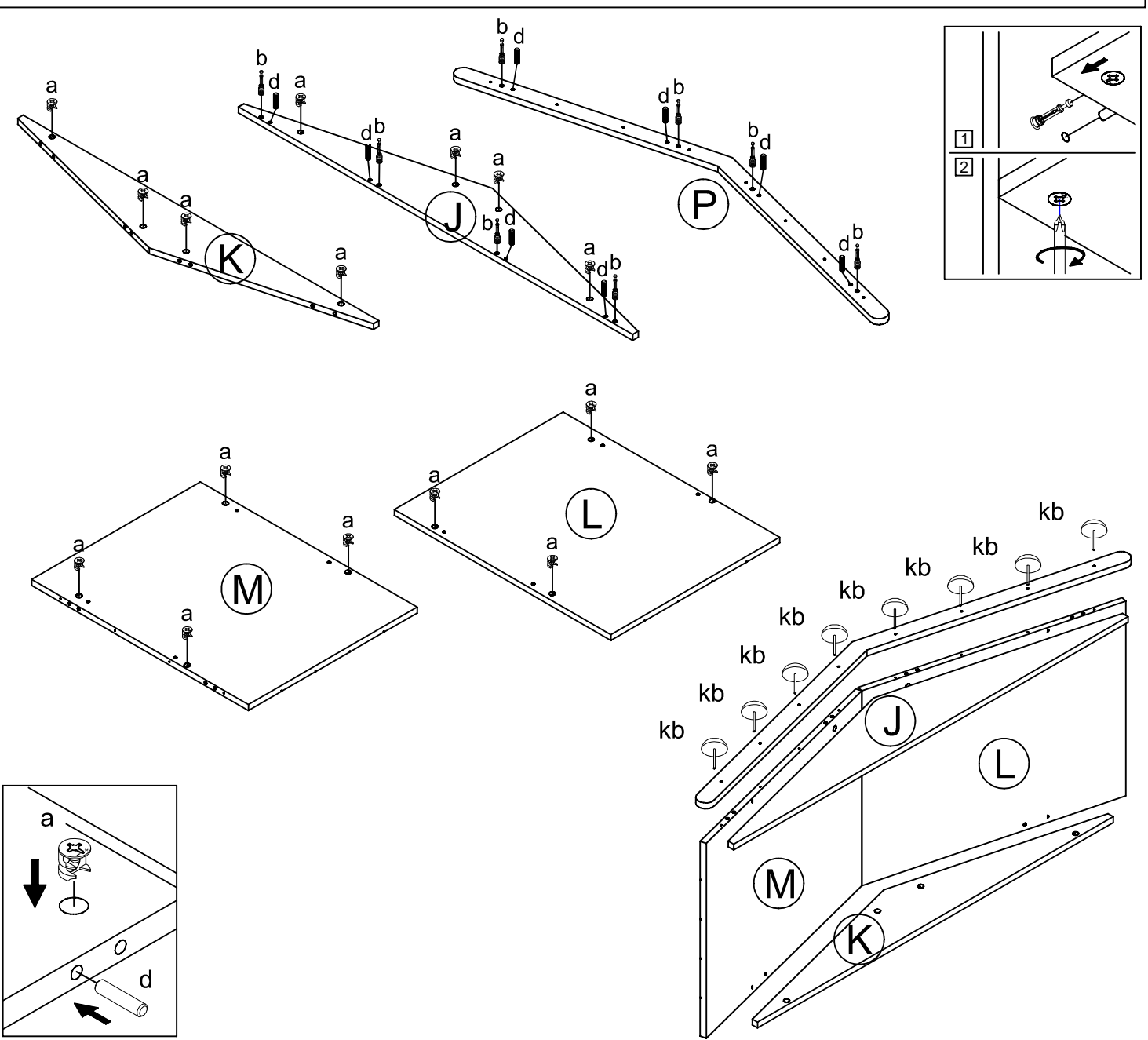
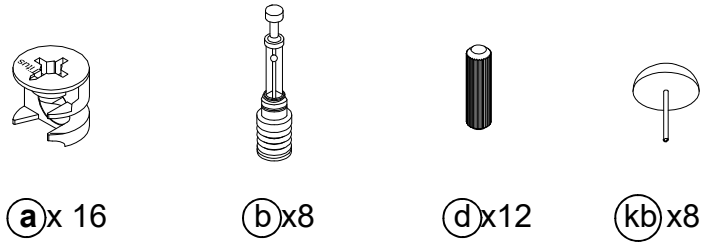


Step 4

Parts

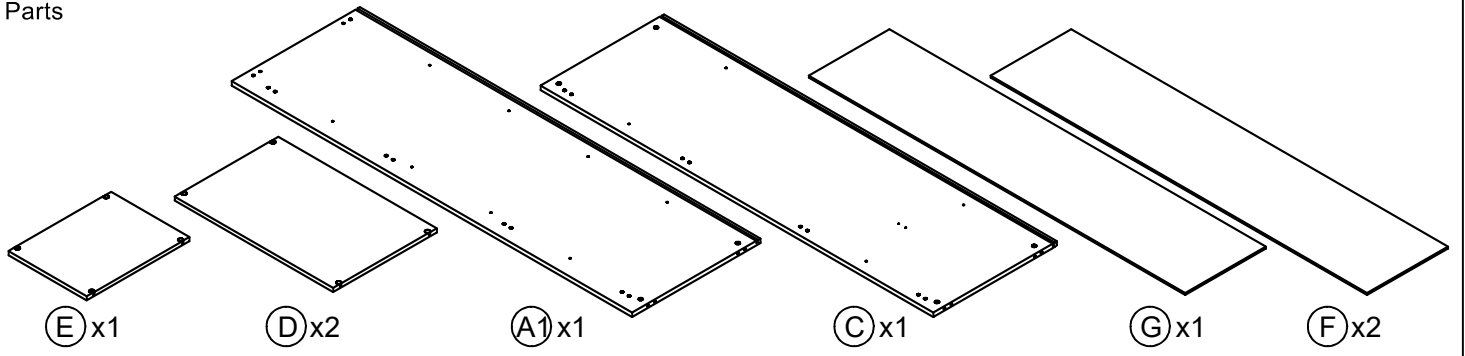


Hardware



Step 5

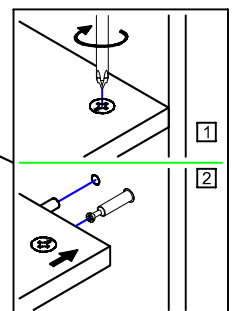
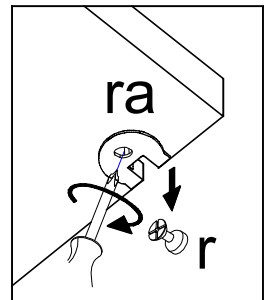
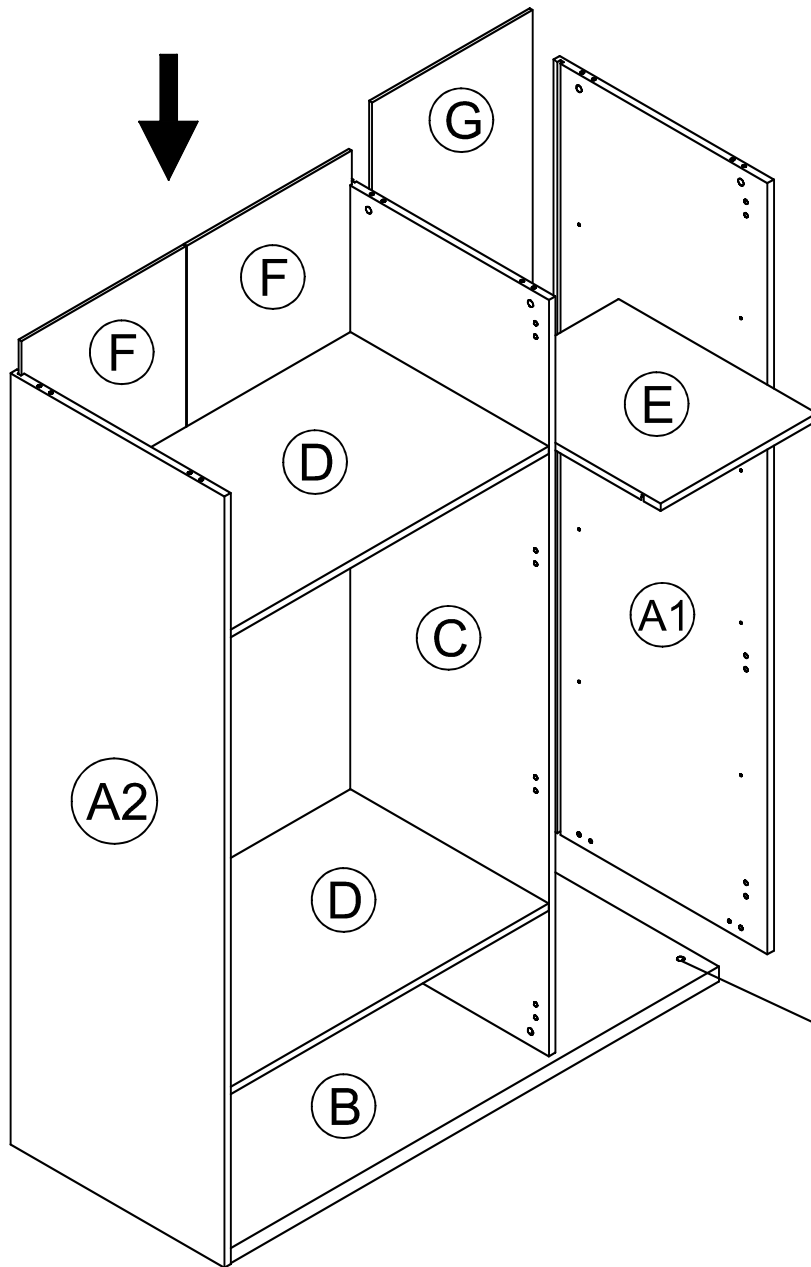
Parts



Hardware

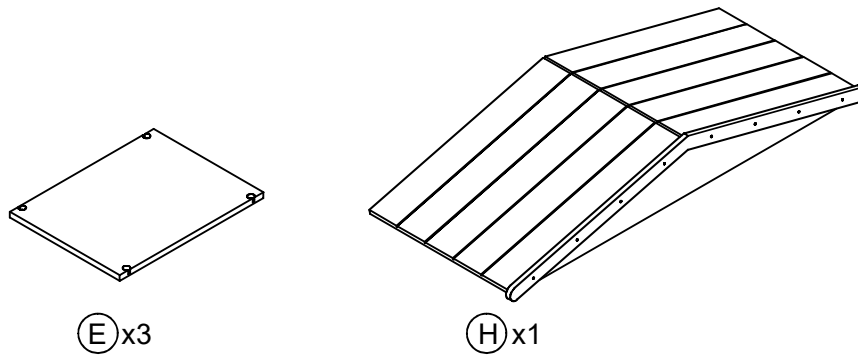


(ra) x8

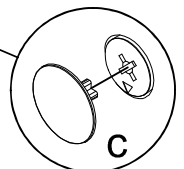
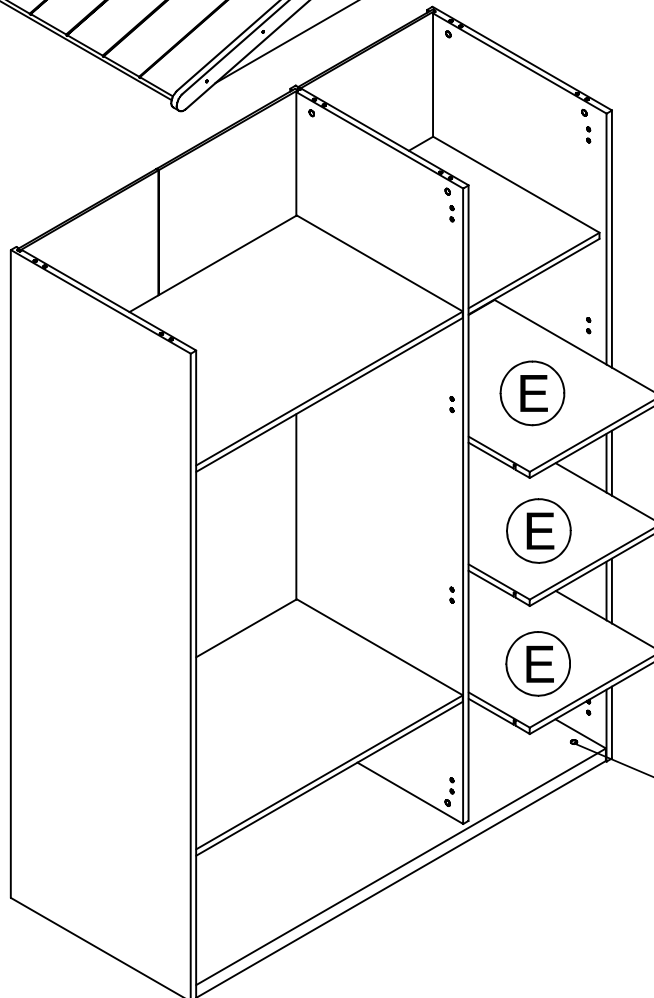
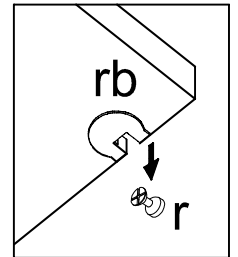
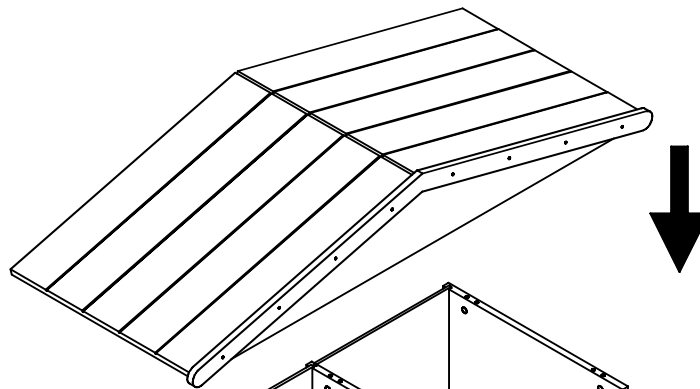
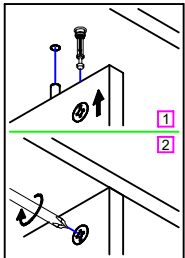
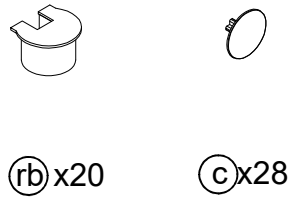


Step 6

Parts

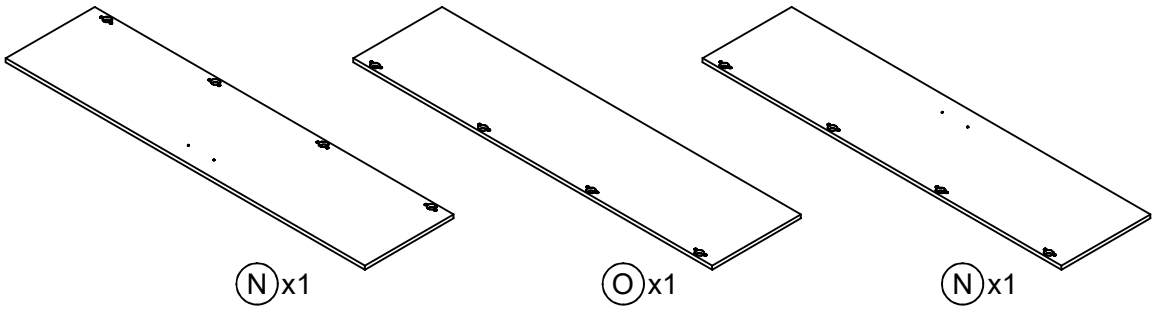


Hardware

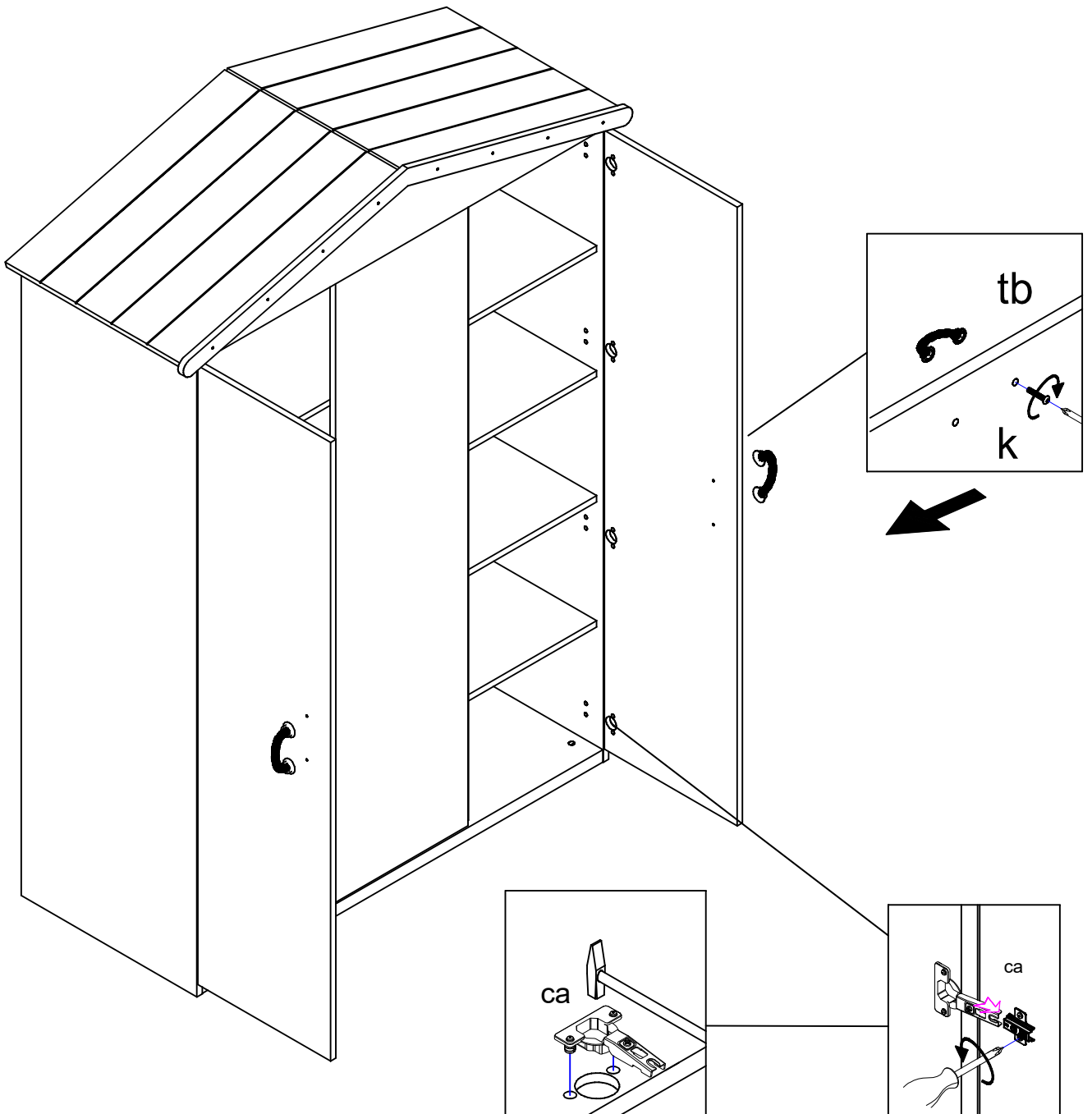
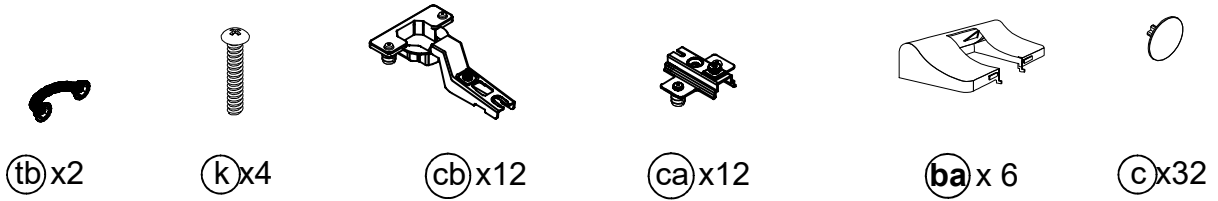


Step 7

Parts

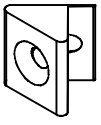


Hardware



Step 8

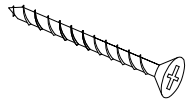
Hardware



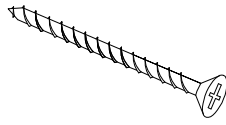
e x10



n x10



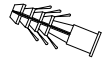
s x1



y x1



u x1



v x1

