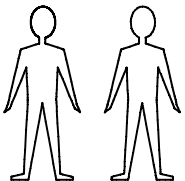


Item Description : Camp Bookcase  
 Model No : 63001  
 Dimension : W: 70 / D: 47 / H: 170  
 Total Weight of Item : 44,5 kg

#### People Required



For Professional Assembly Only

Time Required: 1 hrs. 10 min.

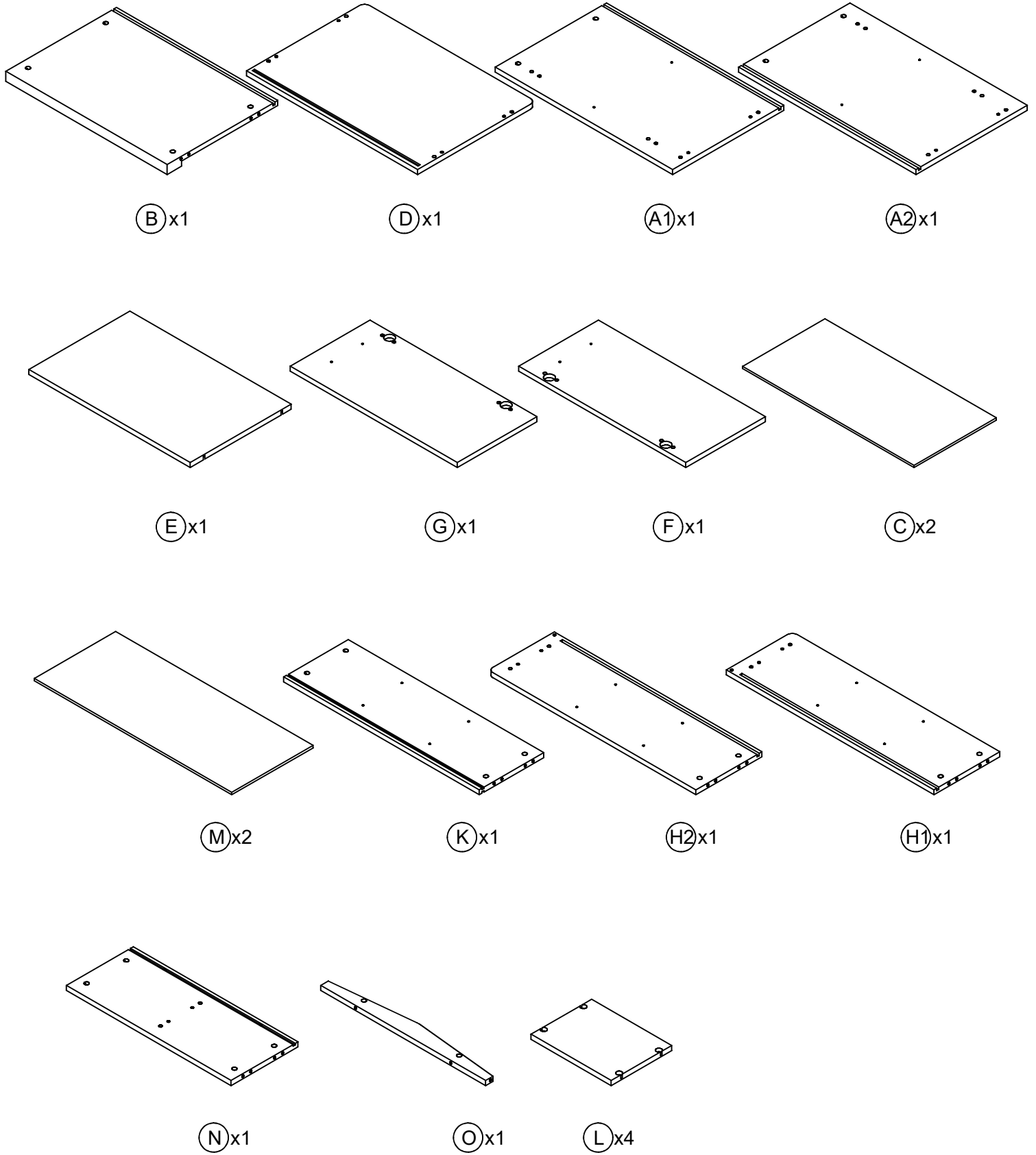
#### Tools Needed



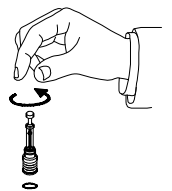
\* Vertical assembly only.

\* Please cover floor with corrugated board / paper to avoid scratches / damage to floor.

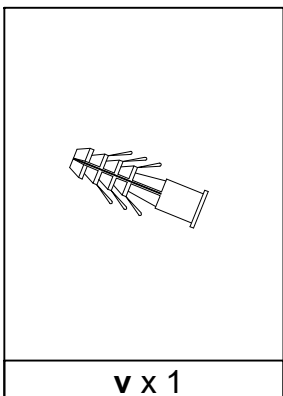
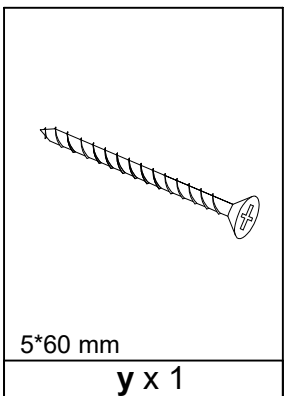
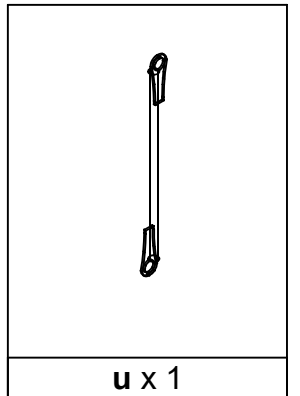
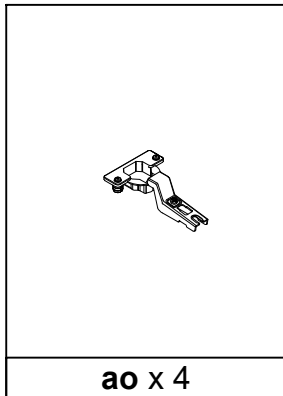
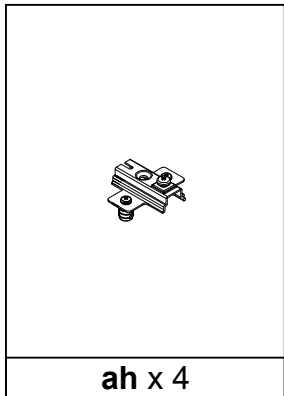
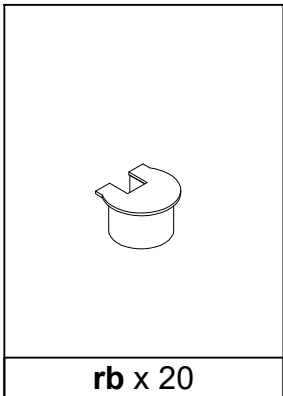
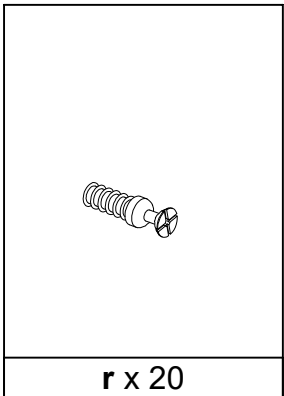
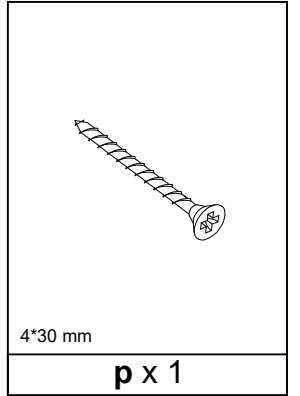
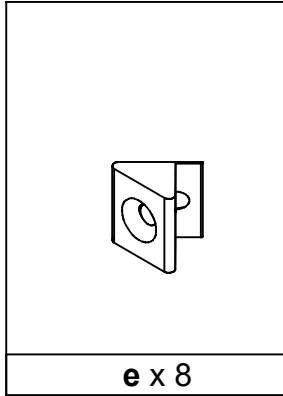
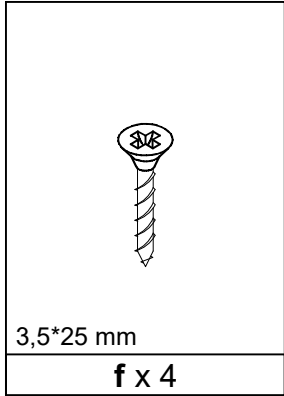
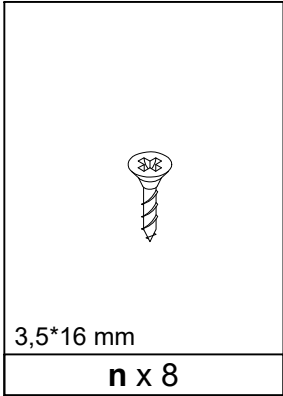
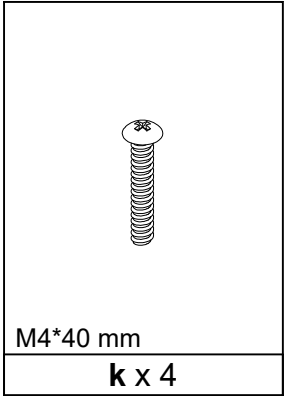
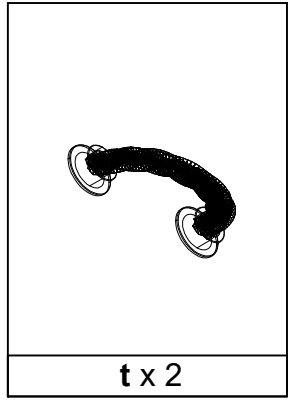
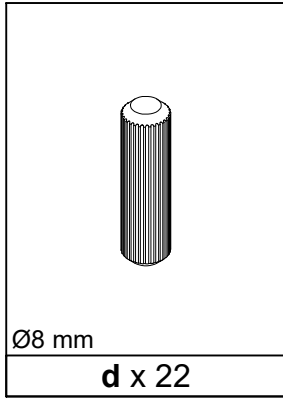
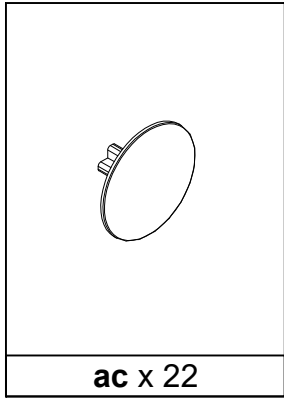
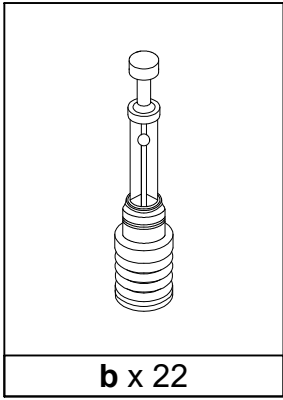
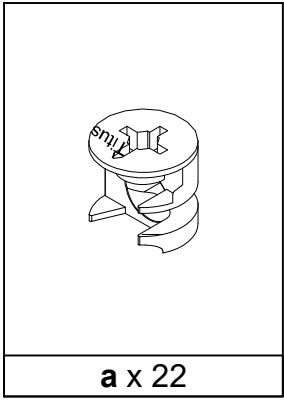
Parts supplied for assembly



Part List	A1	A2	B	C	D	E	F	G	H1	H2	K	L	M	N	O
Carton Box No.	1	1	1	1	1	1	1	1	2	2	2	3	3	2	3

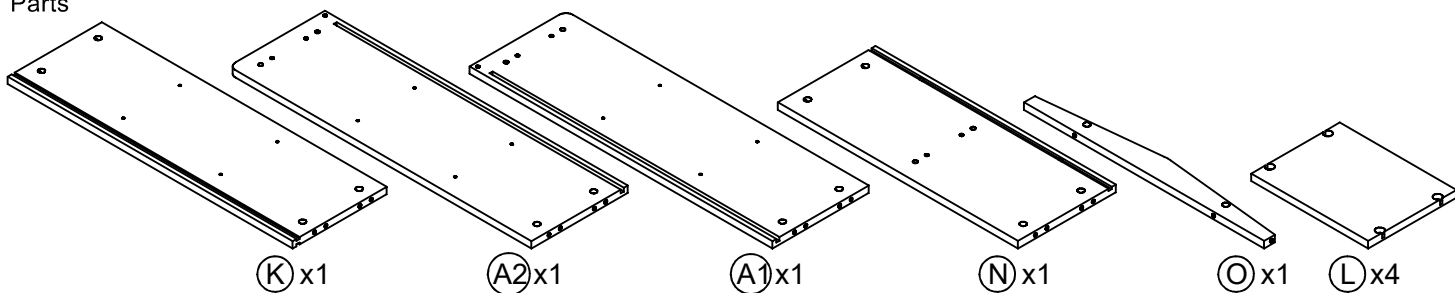


Hardware supplied for assembly

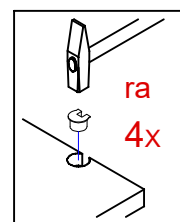
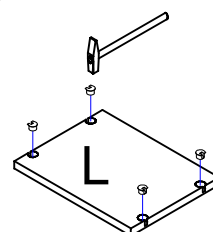
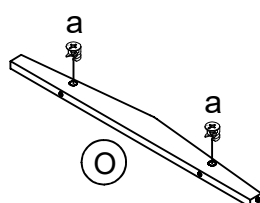
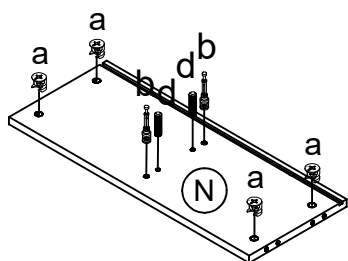
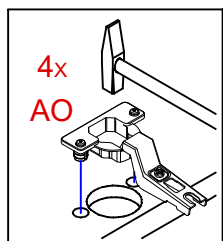
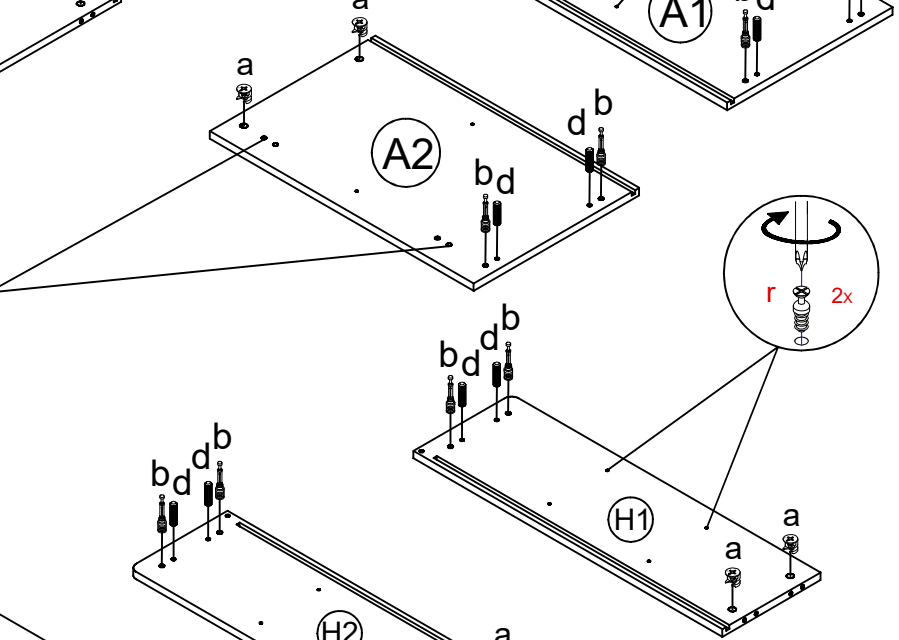
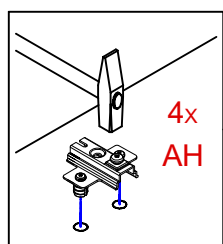
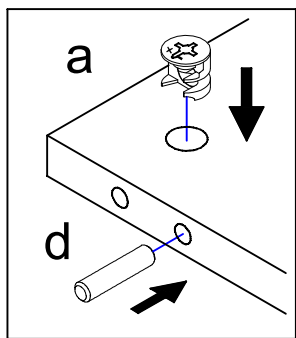
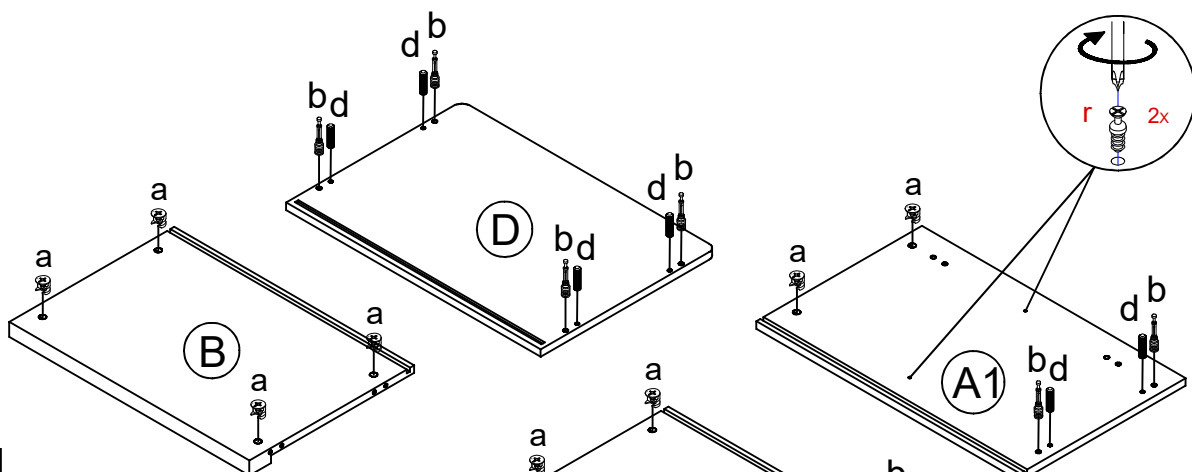
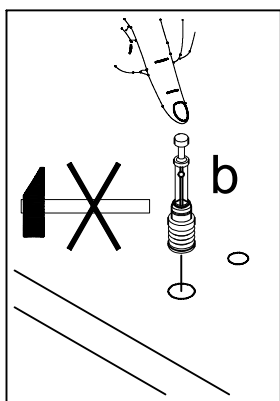
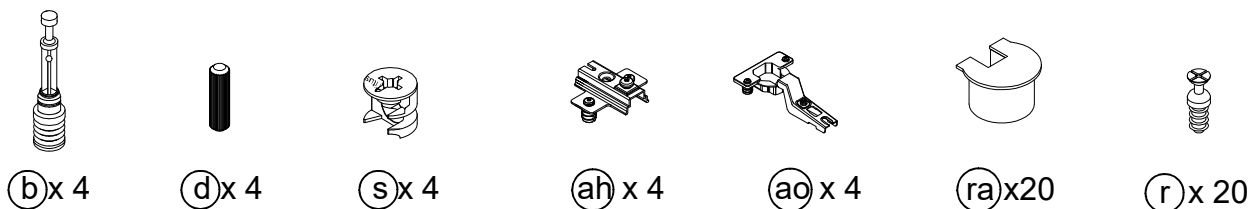


# Step 1

## Parts

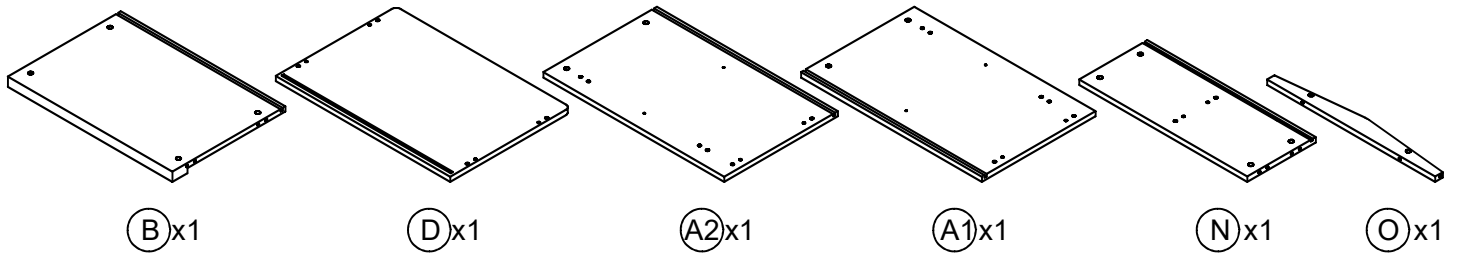


## Hardware

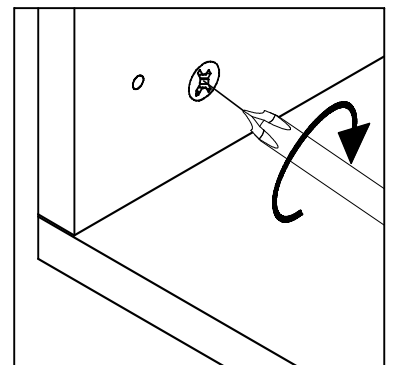
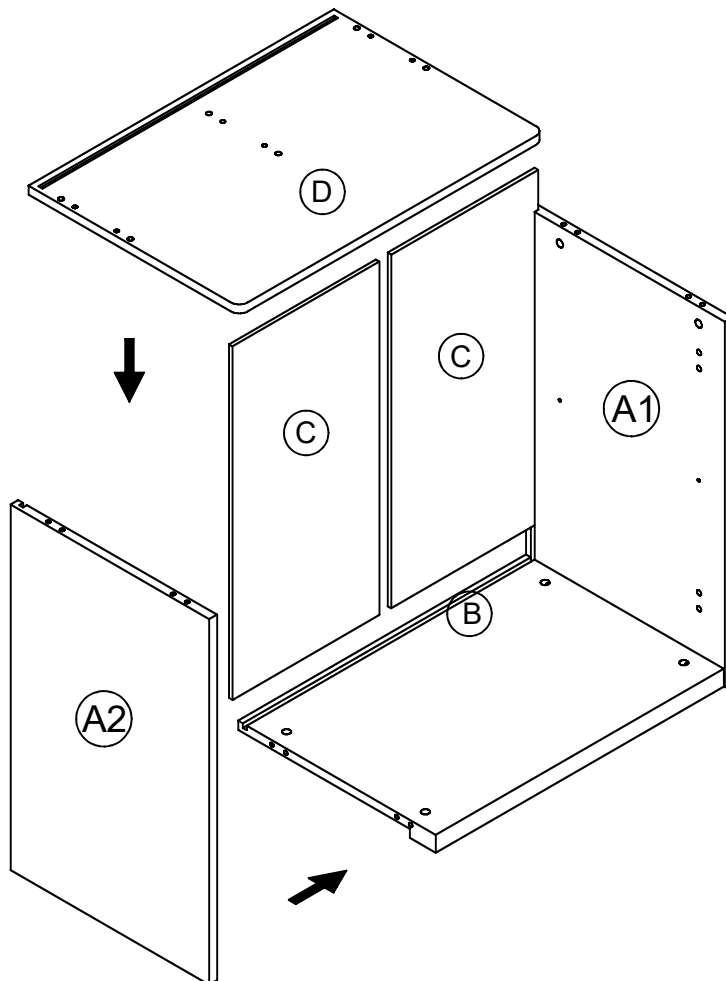
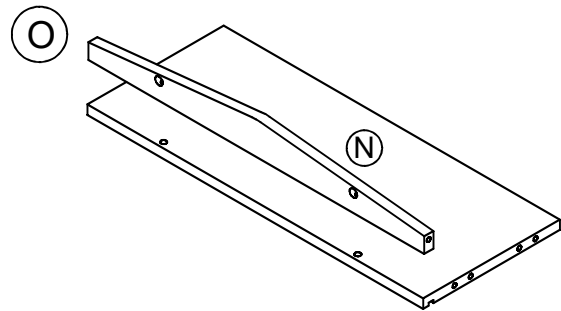
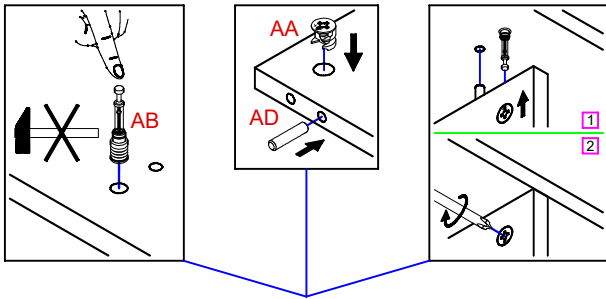
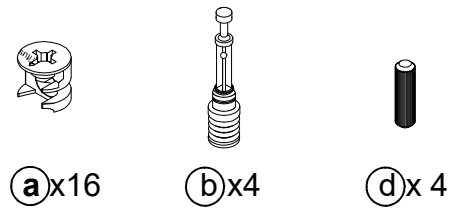


### Step 2

#### Parts




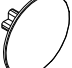



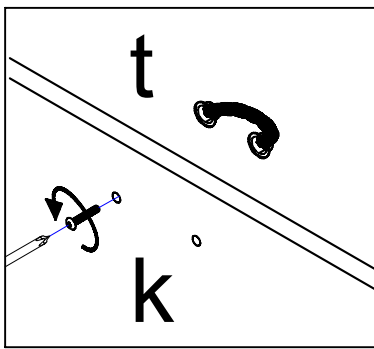
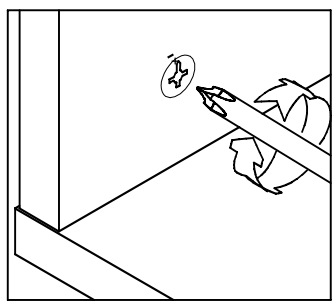
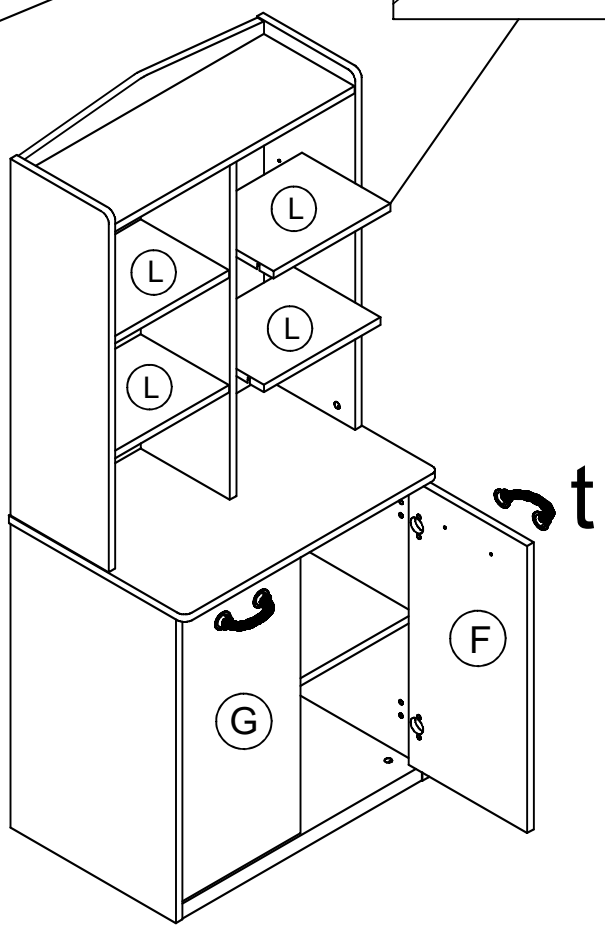
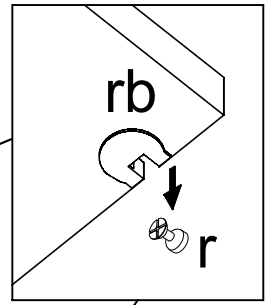
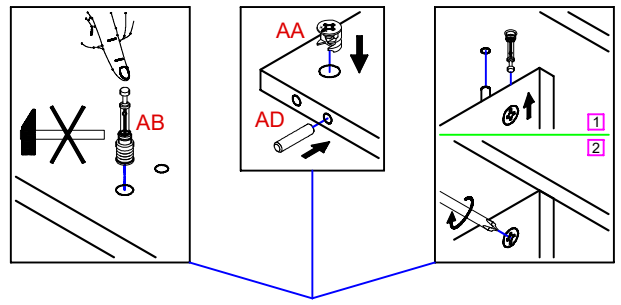
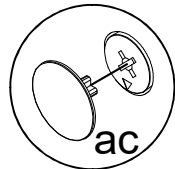
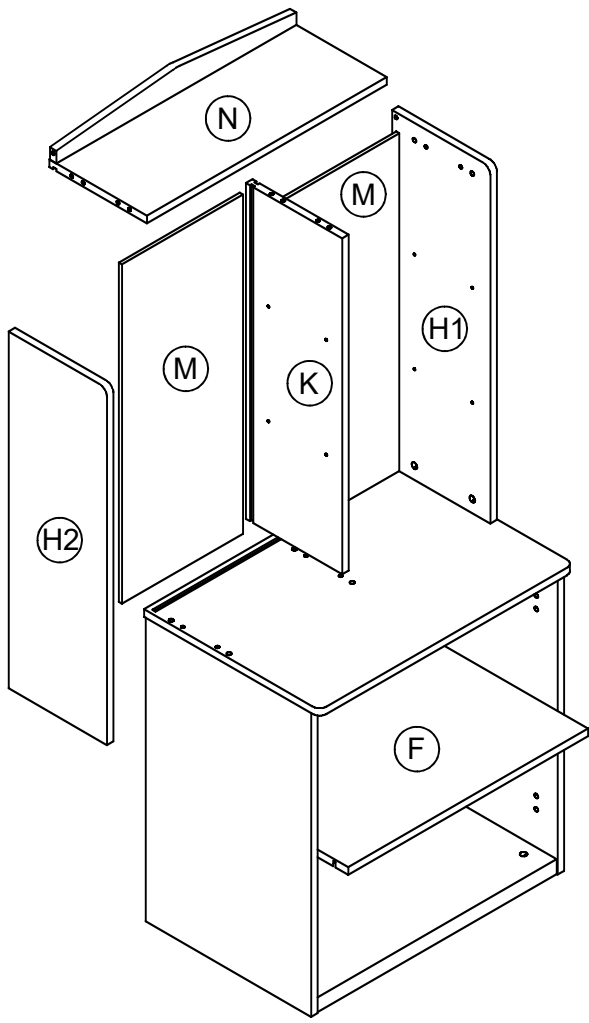
#### Hardware



### Step 3

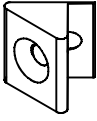

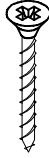
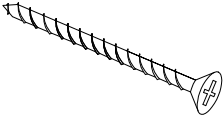
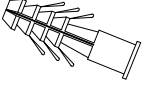

Hardware

-   $r \times 20$
-   $k \times 4$
-   $t \times 2$
-   $ac \times 22$
-   $rb \times 6$



# Step 4

Hardware

					
(e) x8	(n) x8	(p) x1	(y) x1	(v) x1	(u) x1

