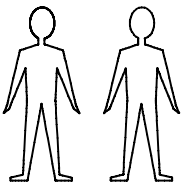


Item Description : Camp Nightstand  
Model No : 63006  
Dimension : W: 50 / D: 46 / H: 47  
Total Weight of Item : 21 kg

**People Required**



For Professional Assembly Only

Time Required: 20 min.

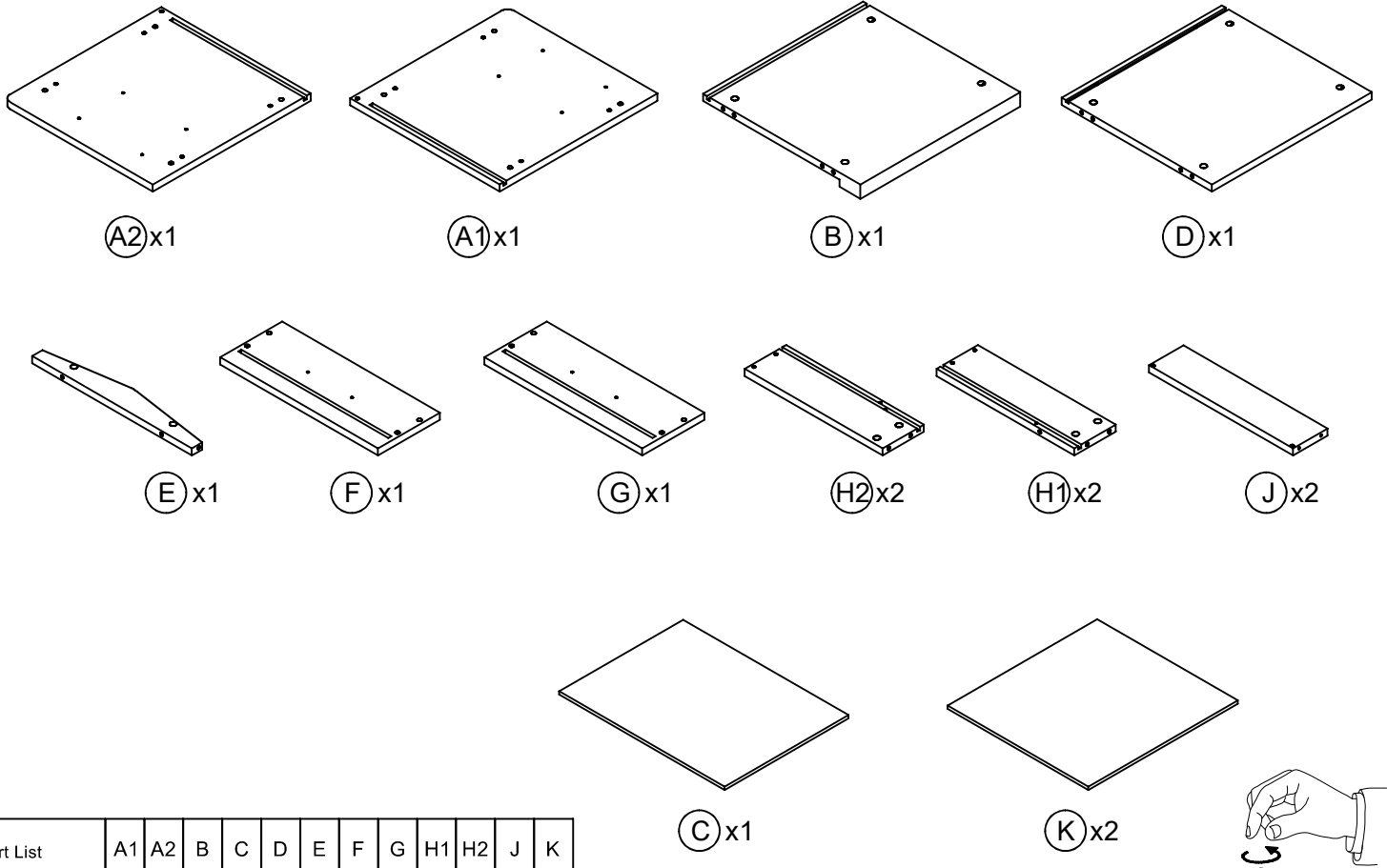
**Tools Needed**



\* Vertical assembly only.

\* Please cover floor with corrugated board / paper to avoid scratches / damage to floor.

Parts supplied for assembly



Part List	A1	A2	B	C	D	E	F	G	H1	H2	J	K
Carton Box No.	1	1	1	1	1	1	1	1	1	1	1	1

<b>a x 18</b>	<b>b x 18</b>	<b>ac x 18</b>	<b>d x 10</b>	<b>r x 8</b>
<b>lh x 2</b>	<b>rh x 2</b>	M4*22 mm <b>kb x 4</b>	<b>t x 2</b>	3,5*16 mm <b>n x 4</b>
3,5*25 mm <b>m x 4</b>	<b>f x 8</b>	<b>e x 4</b>		

