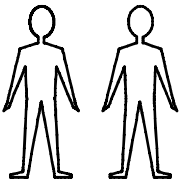


Item Description : City Trolley
Model No : 25215
Dimension : W: 38 / D: 46 / H: 60
Total Weight of Item : 23.4 kg

People Required



For Professional assembly only

Time Required: 1 hrs. 10 min.

Tools Needed

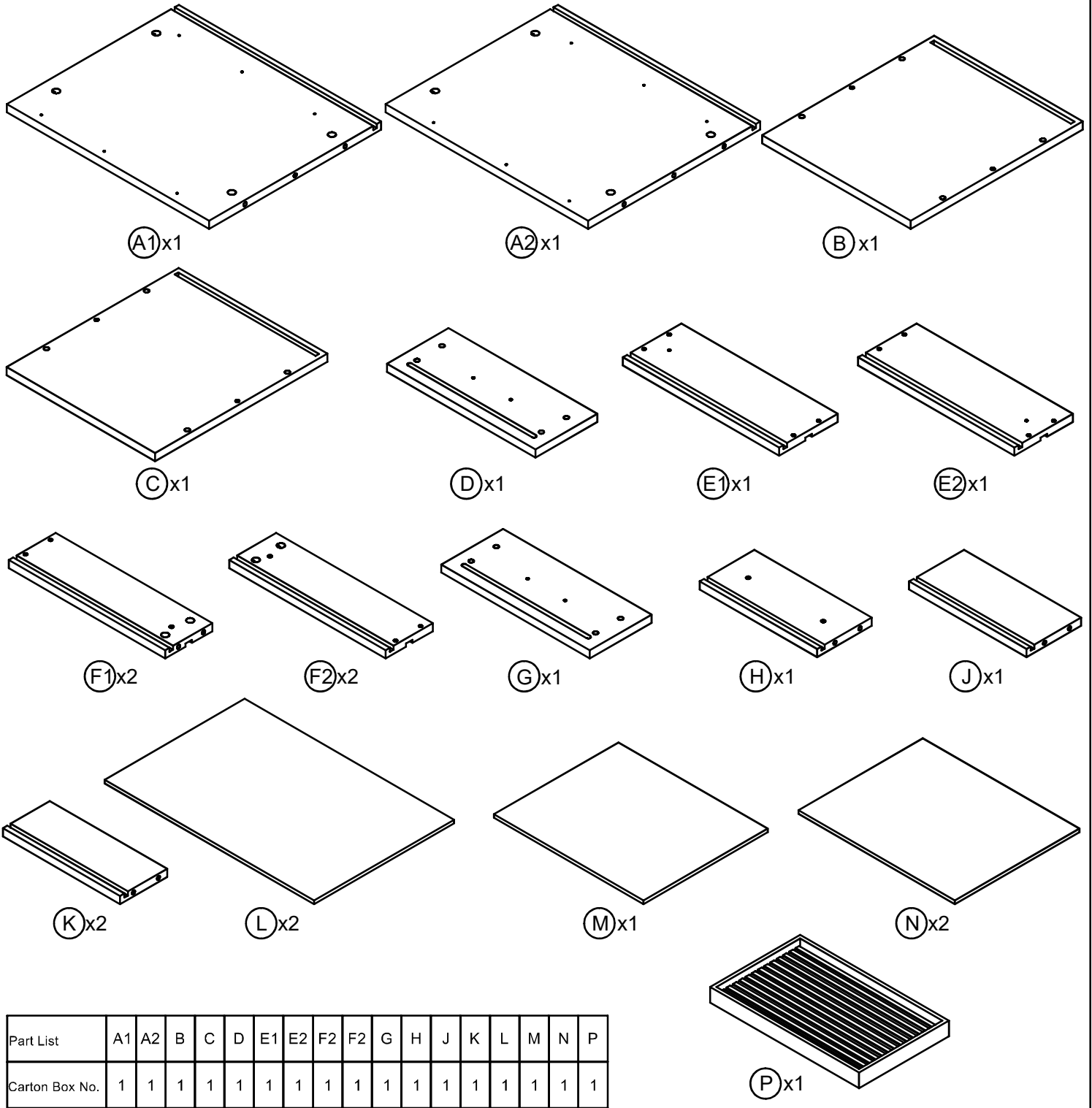


* Vertical assembly only.
* Please cover floor with corrugated board / paper to avoid scratches / damage to floor.





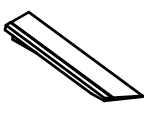
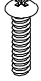



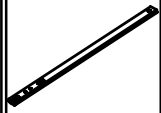


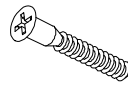

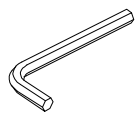

Assembly Checklist

Plase make sure that you have all of the below items before you start.

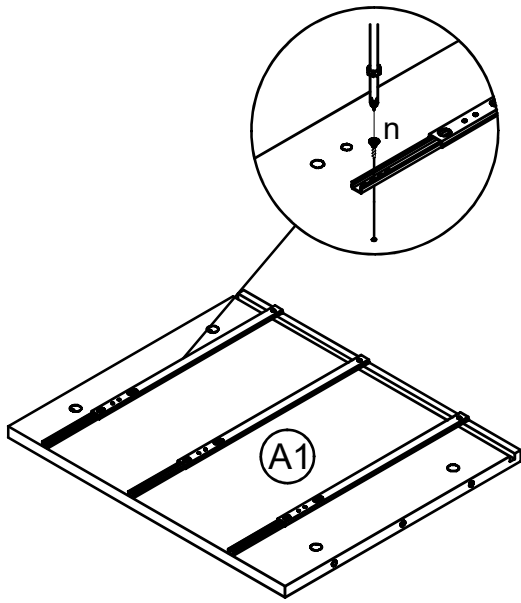
Parts supplied for assembly



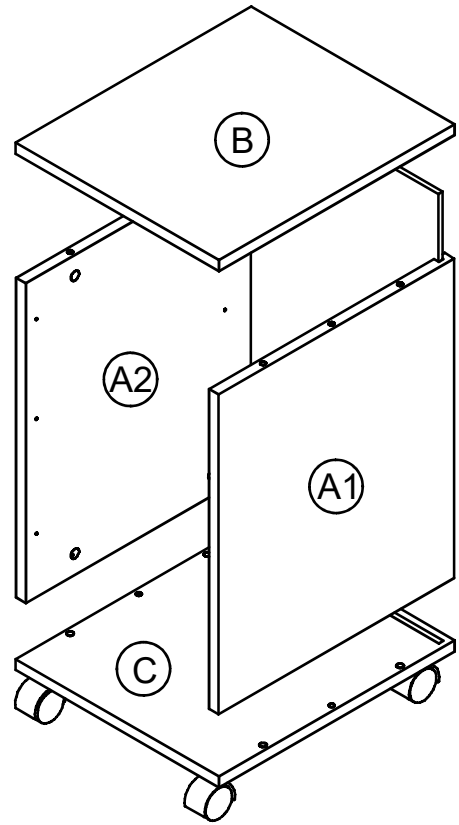
Part List	A1	A2	B	C	D	E1	E2	F2	F2	G	H	J	K	L	M	N	P
Carton Box No.	1	1	1	1	1	1	1	1	1	1	1	1	1	1	1	1	1

 a x 16	 b x 16	 ac x 16	 da x 4	 t x 2	 ka x 2	 kb x 2	 m x 4	 3,5*16 mm n x 32
 g x 6	 e x 4	 M4*22 mm k x 6	 j x 16	 M6*30 mm h x 2	 s x 1			

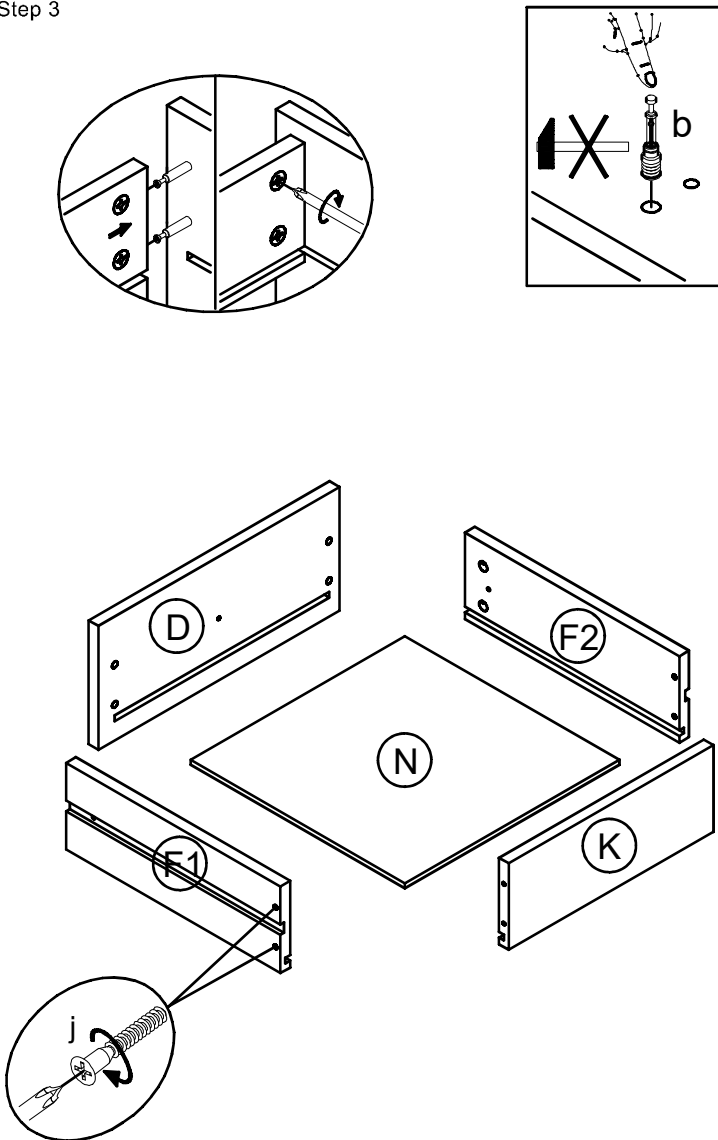
Step 1



Step 2



Step 3



Step 4

