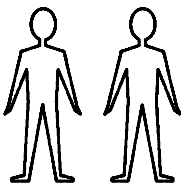


Item Description : Korsan 3 Doors Wardrobe
Model No : 68403
Dimension : W: 126 / D: 61 / H: 206
Total Weight of Item : 124 kg

People Required



For Professional assembly only

Time Required: 2 hrs.

Tools Needed



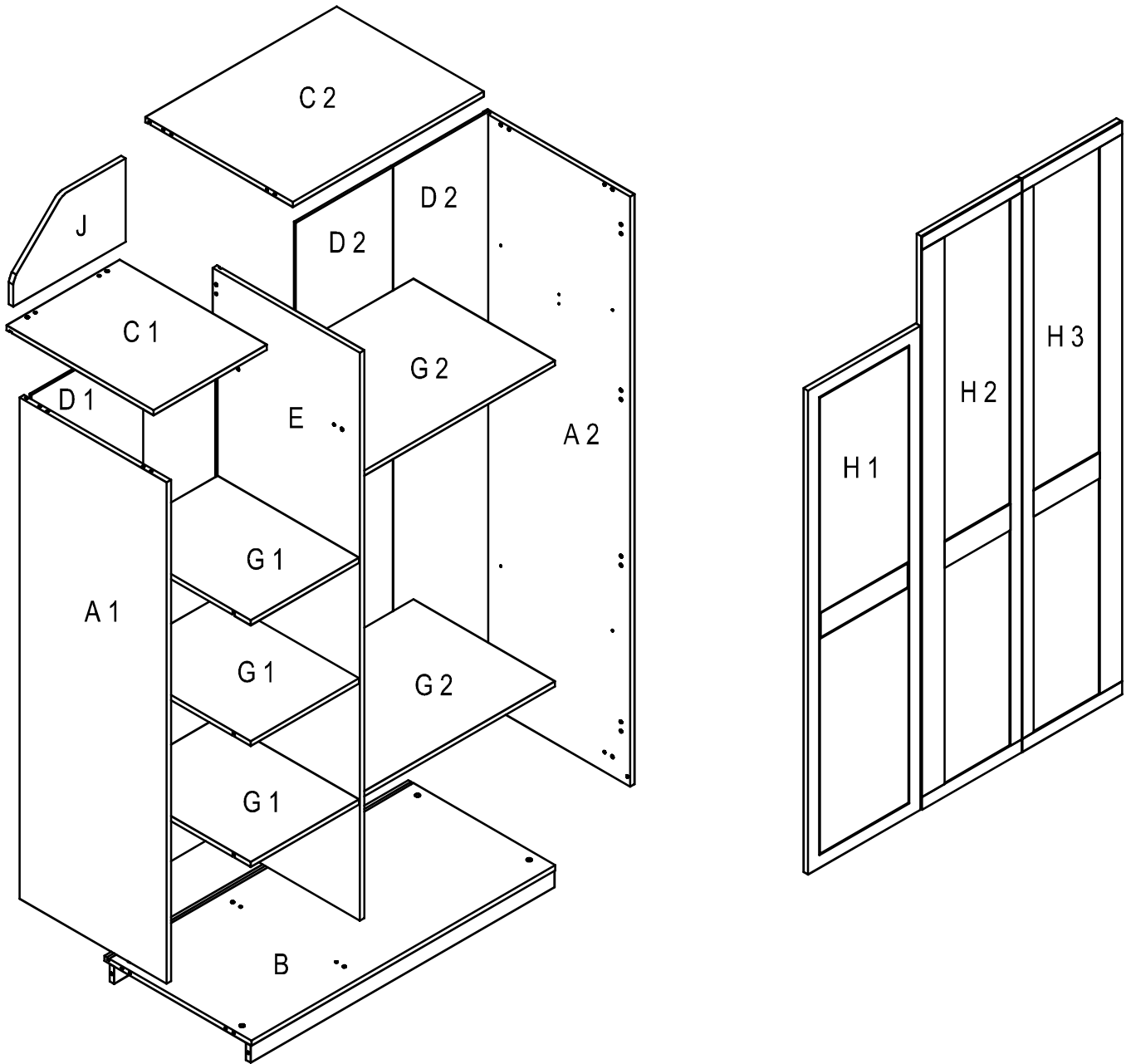
* Vertical Assembly Only.

* Please cover floor with corrugated board / paper to avoid scratches / damage to floor.

Assembly Checklist


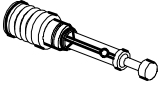


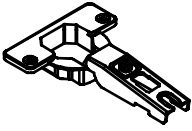
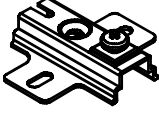
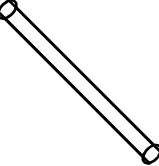
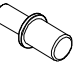

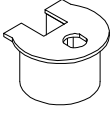
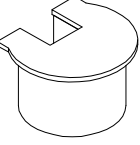
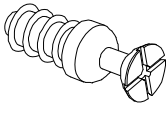
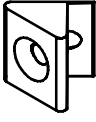






Plase make sure that you have all of the below items before you start.

Parts supplied for assembly

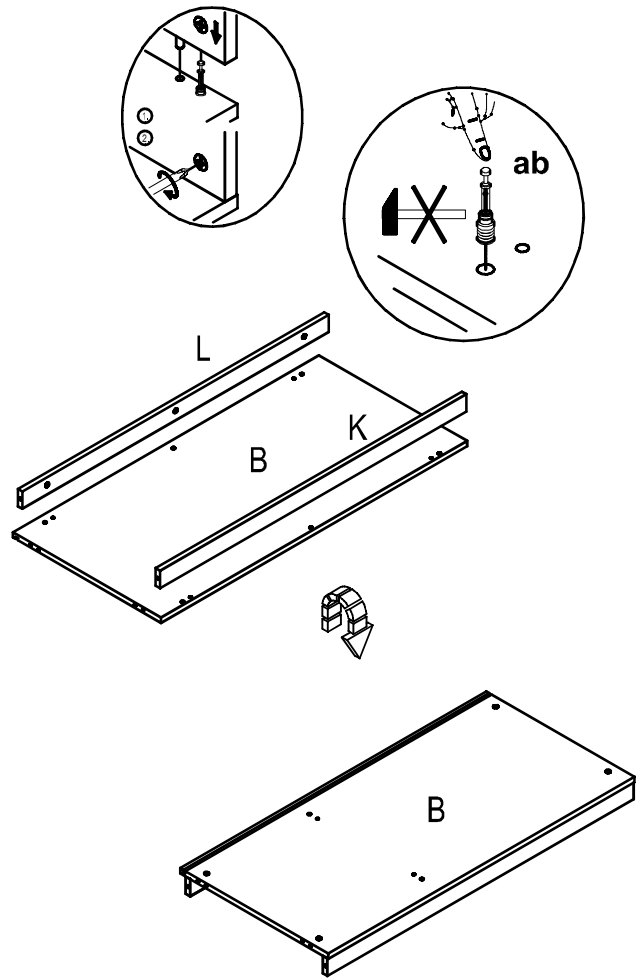


Part List	A1	A2	B	C1	C2	D1	D2	E	G1	G2	H1	H2	H3	J
Carton Box No.	1	1	2	2	2	4	4	1	2	2	3	3	3	1

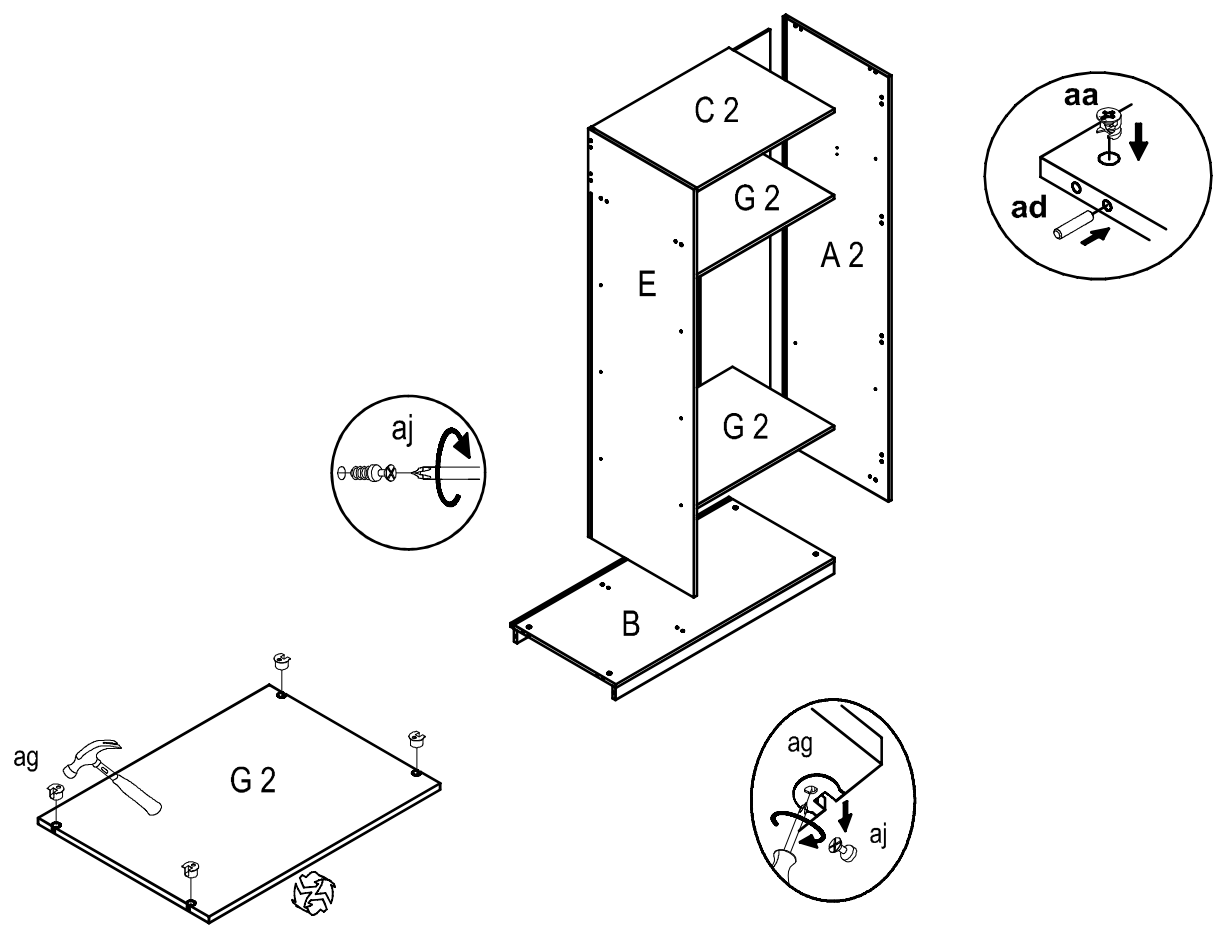
Hardware supplied for assembly

 <p>aa x 24</p>	 <p>ab x 24</p>	 <p>ac x 24</p>	 <p>ad x 26 Ø8*30 mm</p>	 <p>am x 11</p>
 <p>ah x 11</p>	 <p>aj x 1</p>	 <p>av x 20</p>	 <p>ym x 5</p>	 <p>ag x 8</p>
 <p>ah x 12</p>	 <p>7 mm aj x 20</p>	 <p>ay x 20</p>	 <p>M4*22 mm kd x 2</p>	 <p>M4*25 mm ke x 2</p>
 <p>fl x 1</p>	 <p>3,5*16 mm va x 27</p>	 <p>3,5*25 mm vd x 11</p>	 <p>4*20 mm vk x 20</p>	

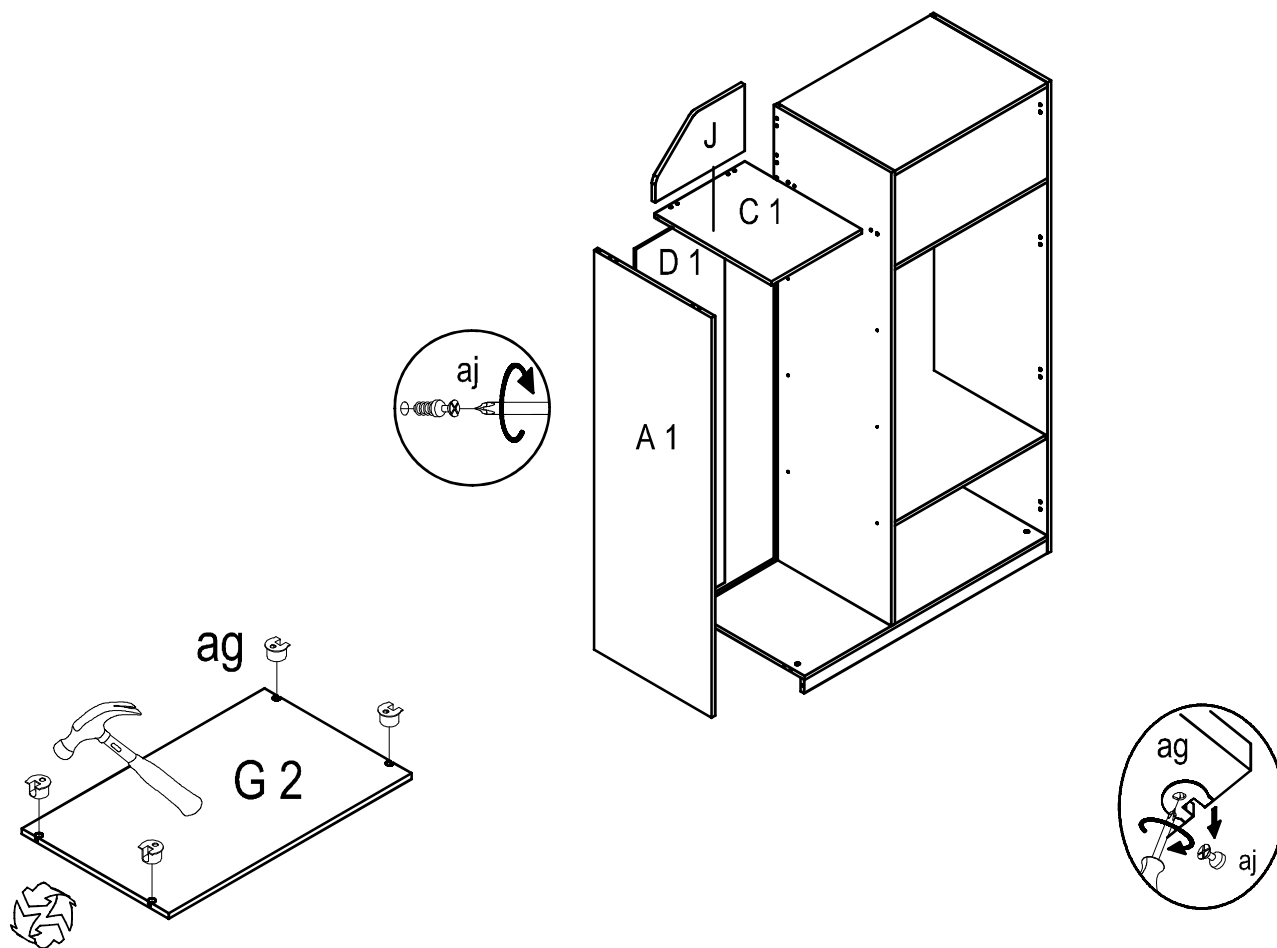
Step 1



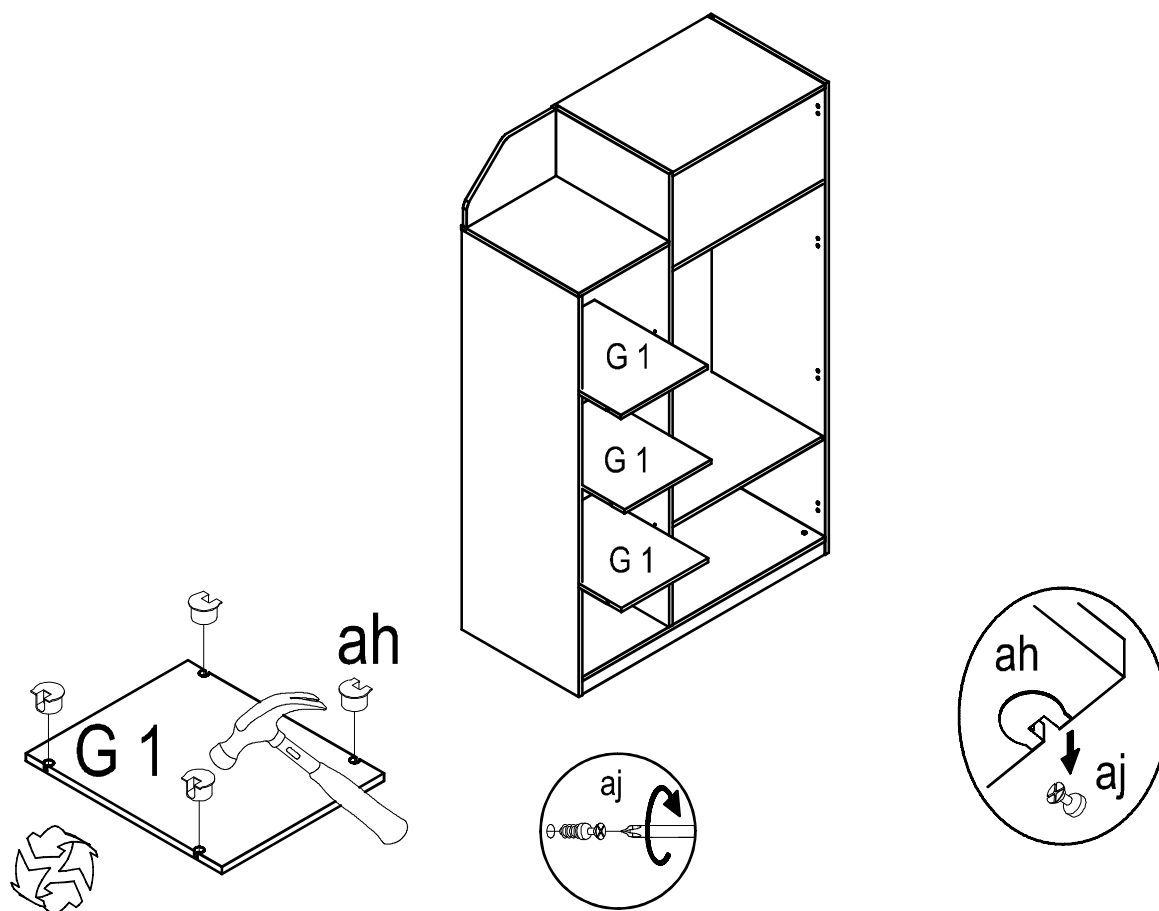
Step 2



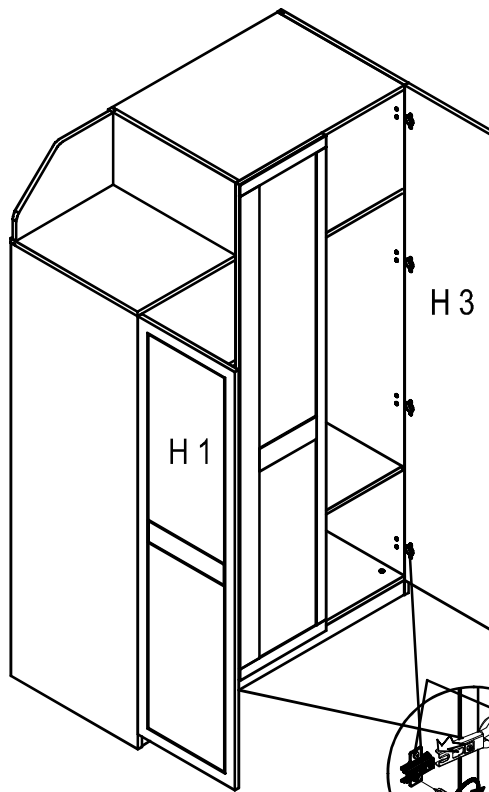
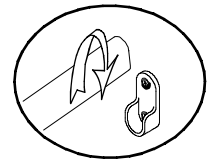
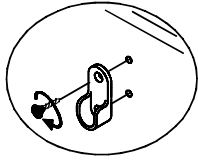
Step 3



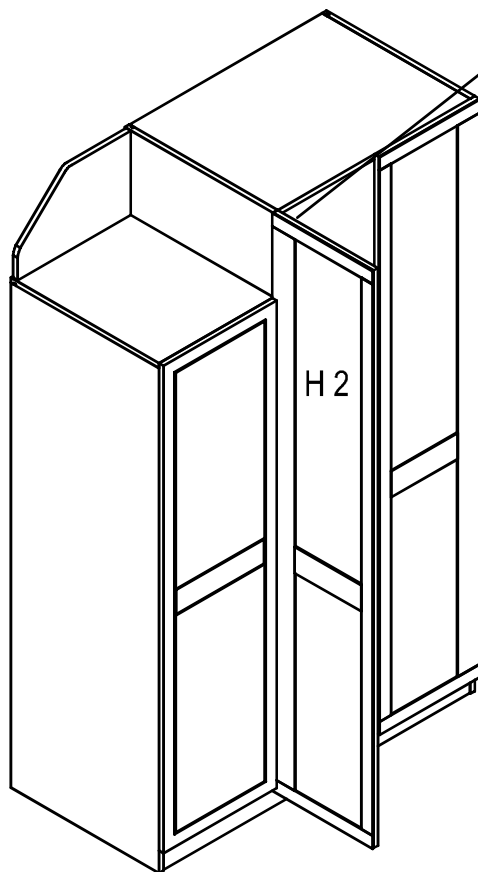
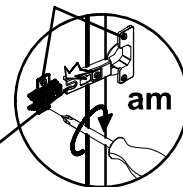
Step 4



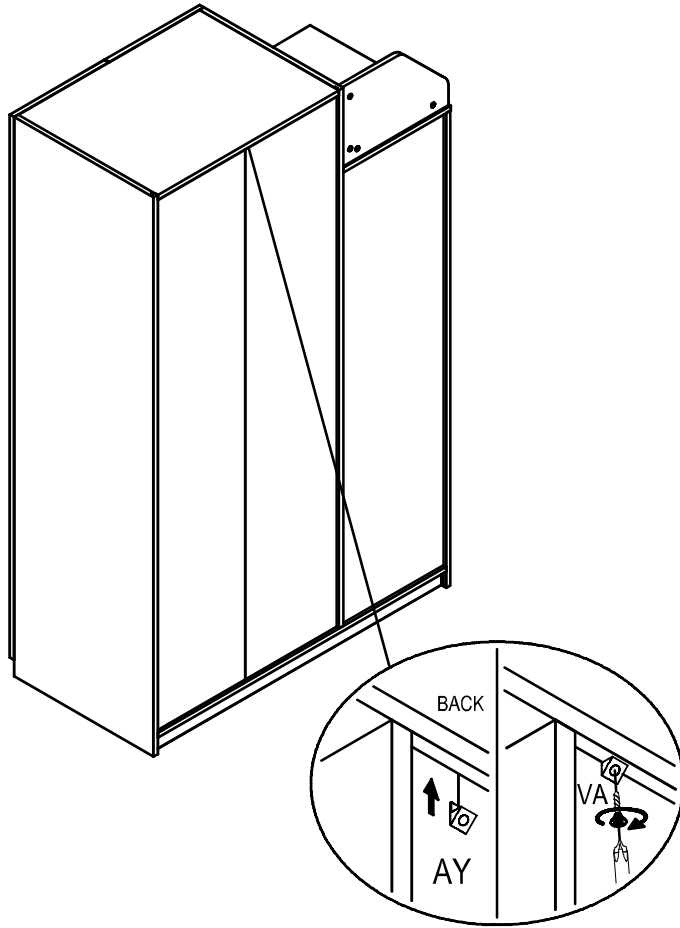
Step 5



Step 6



Step 7



Step 8

