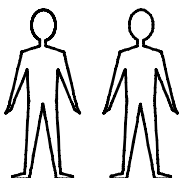


Item Description : Luna 3 Doors Wardrobe
Model No : 56003
Dimension : W: 134.7 / D: 60.5 / H: 208
Total Weight of Item : 148,5 kg

People Required



For Professional assembly only

Time Required: 1 hrs. 30 min.

Tools Needed



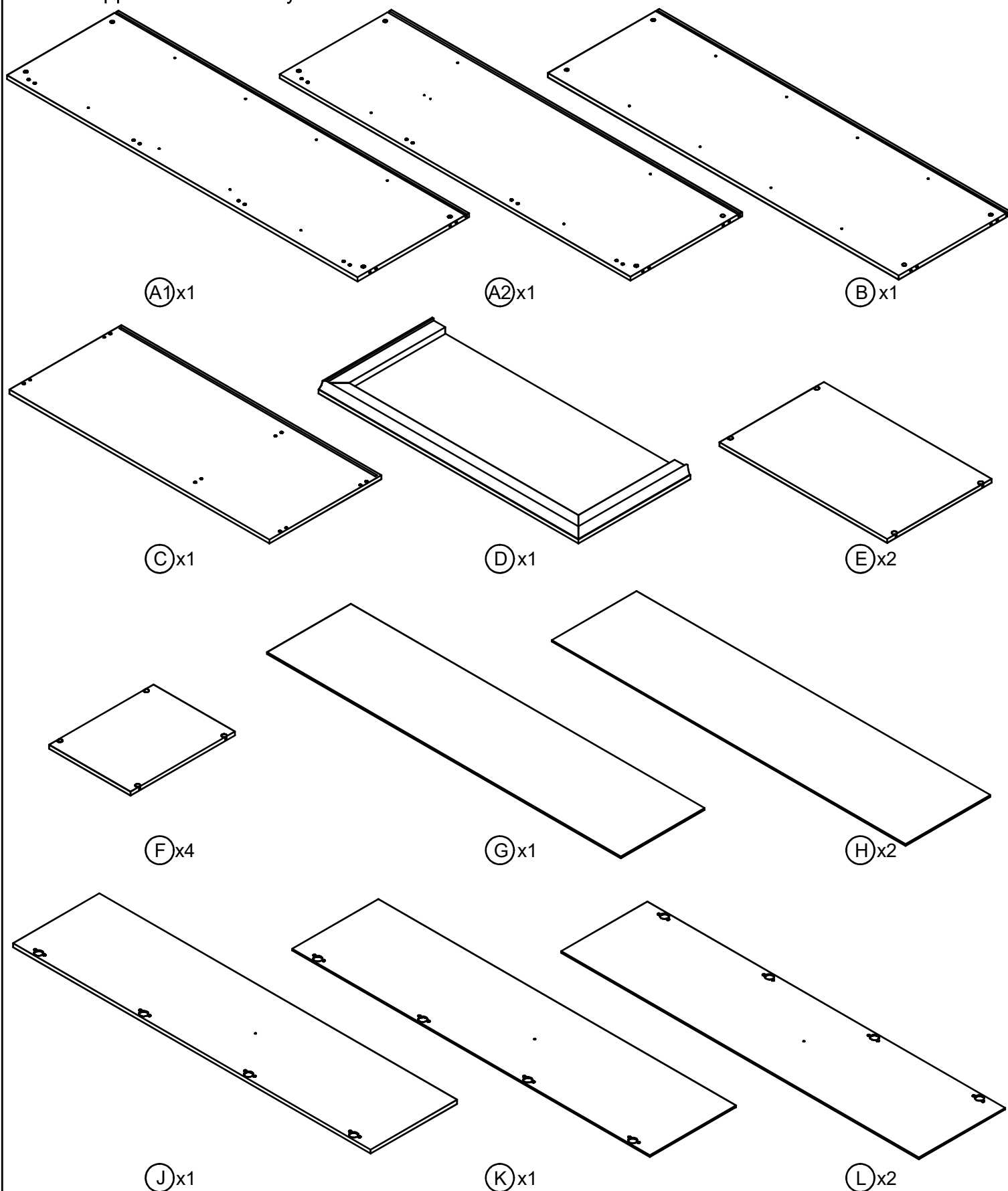
* Vertical Assembly Only.

* Please cover floor with corrugated board / paper to avoid scratches / damage to floor.

Assembly Checklist

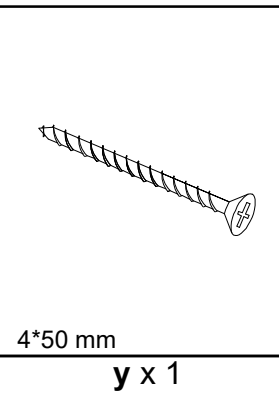
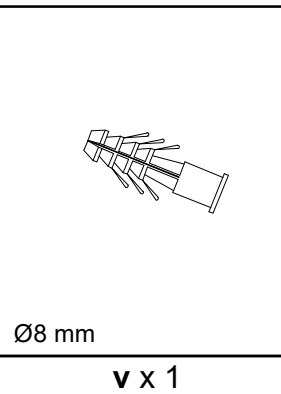
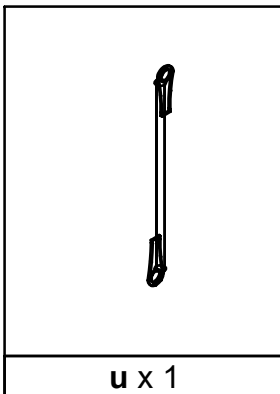
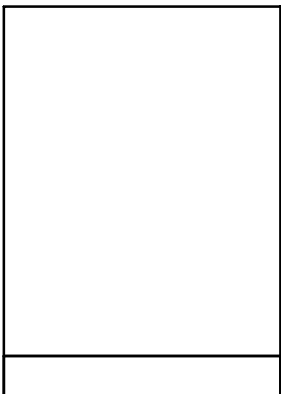
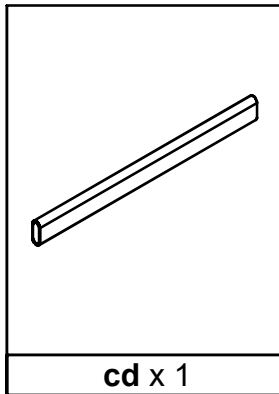
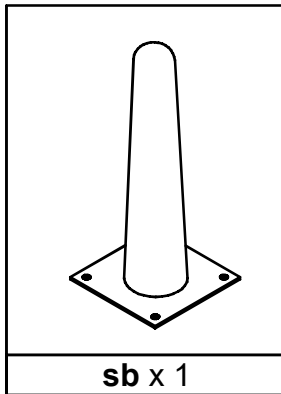
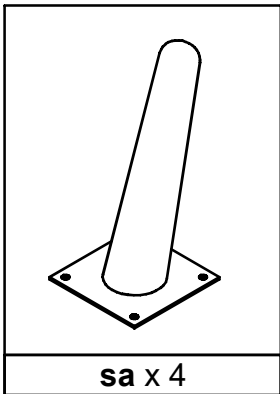
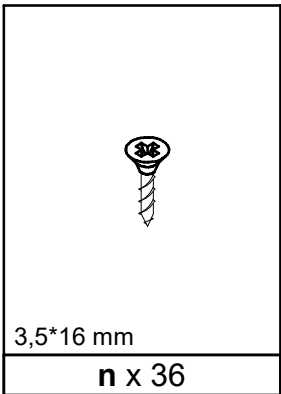
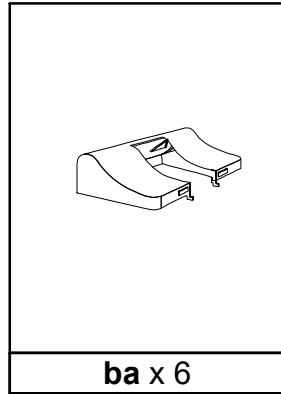
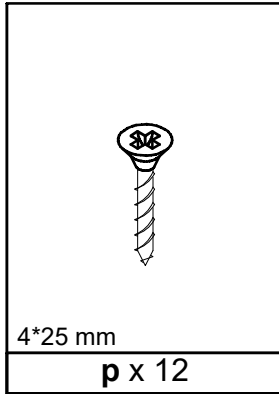
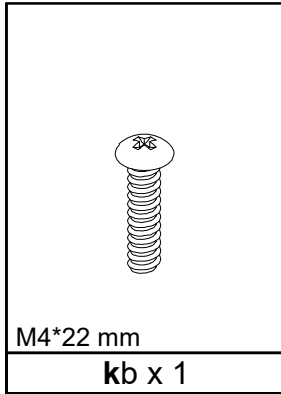
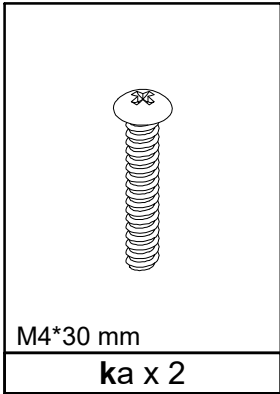
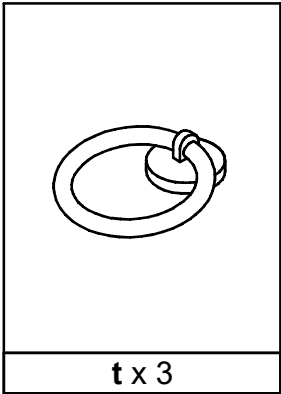
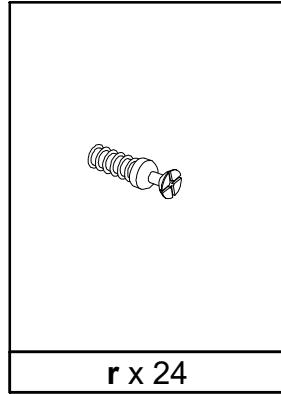
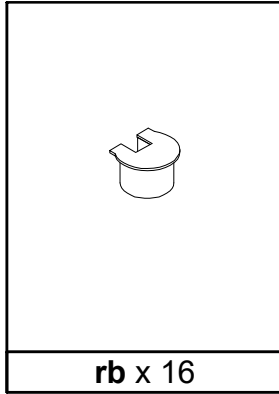
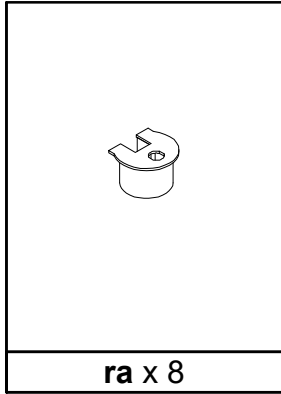
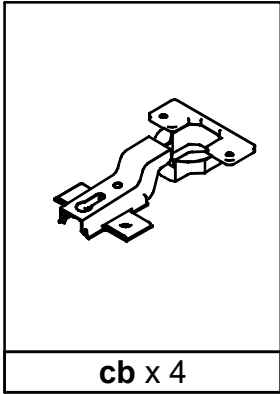
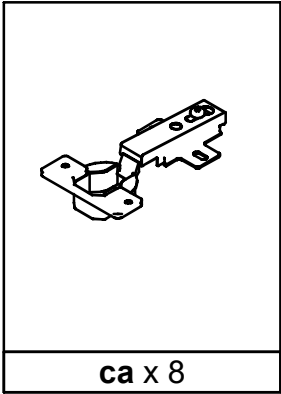
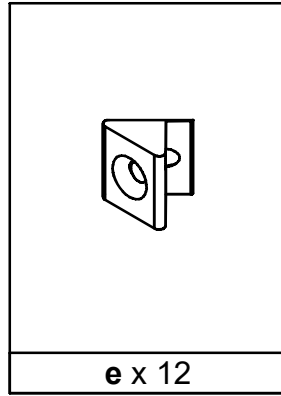
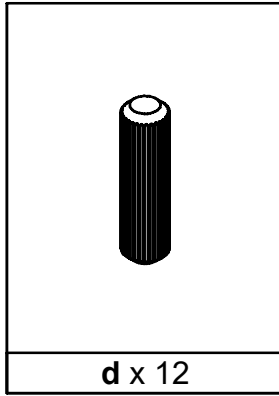
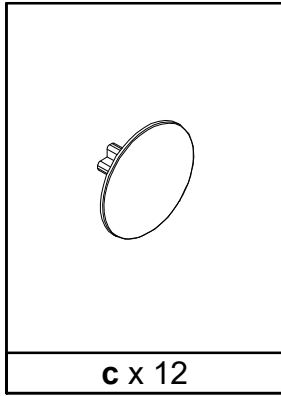
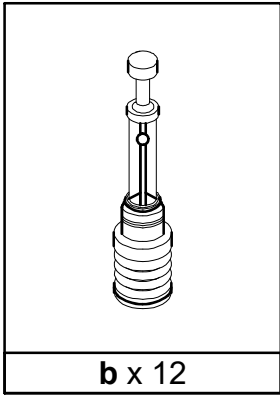
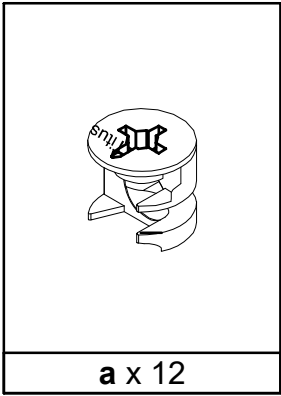
Please make sure that you have all of the below items before you start.

Parts supplied for assembly



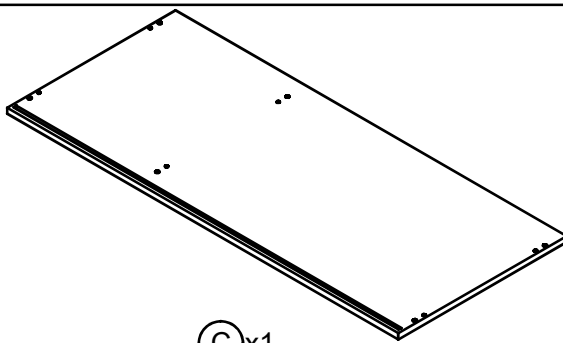
Part List	A1	A2	B	C	D	E	F	G	H	J	K	L
Carton Box No.	1	1	1	2	2	2	2	4	4	4	3	3

Hardware supplied for assembly



Step 1

Parts



(C) x1

Hardware



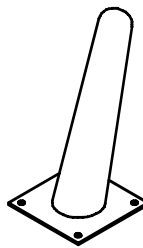
(b) x6



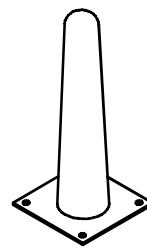
(d) x6



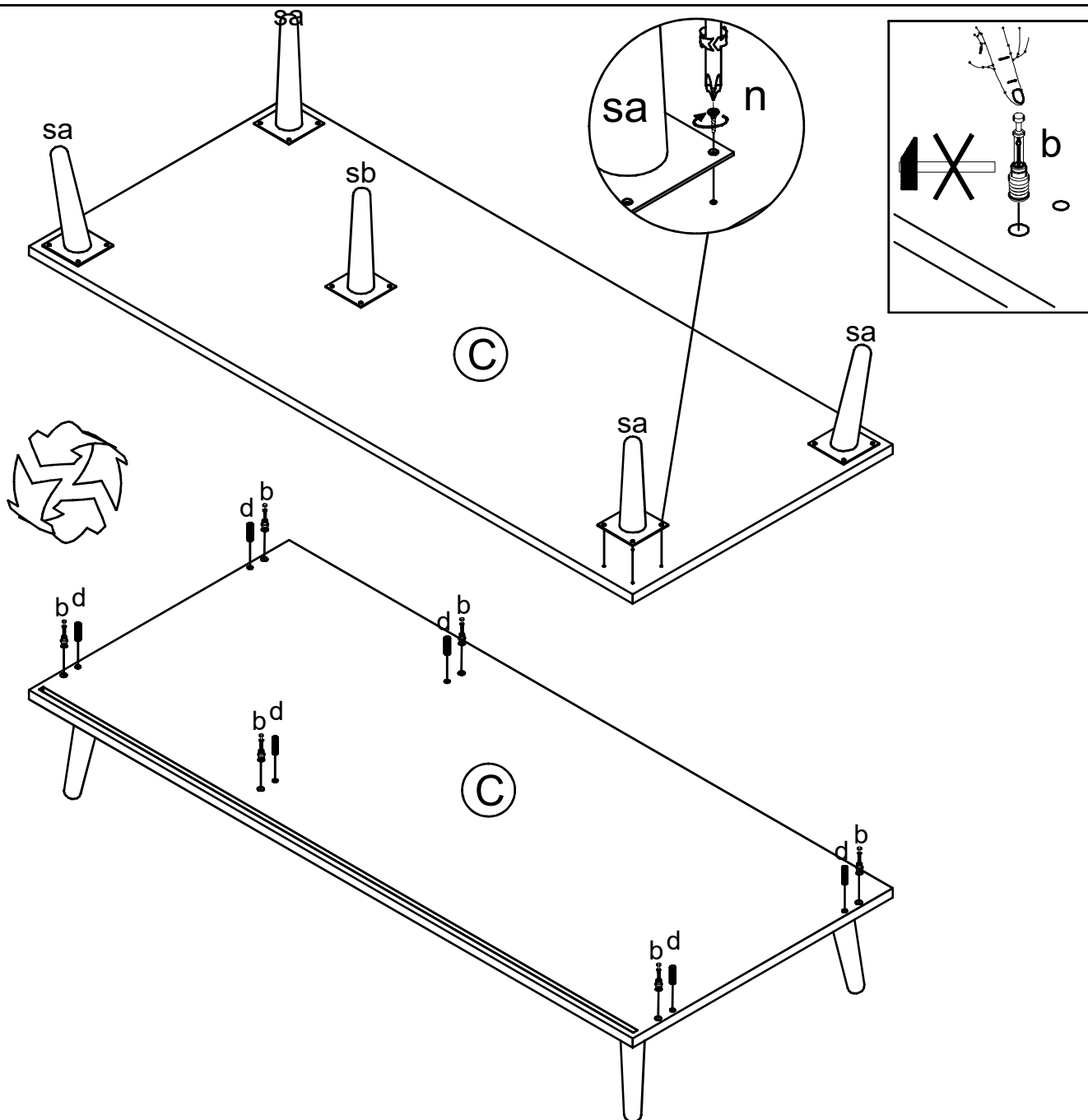
(n) x20



(sa) x 4

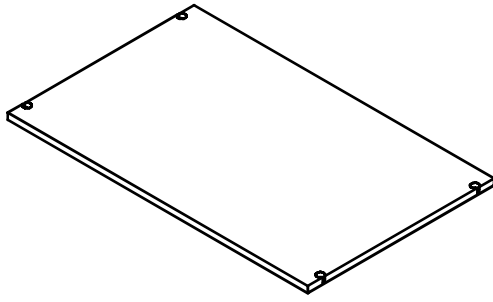


(sb) x 1

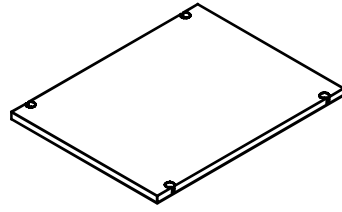


Step 3

Parts



Ⓔ x2



Ⓕ x4

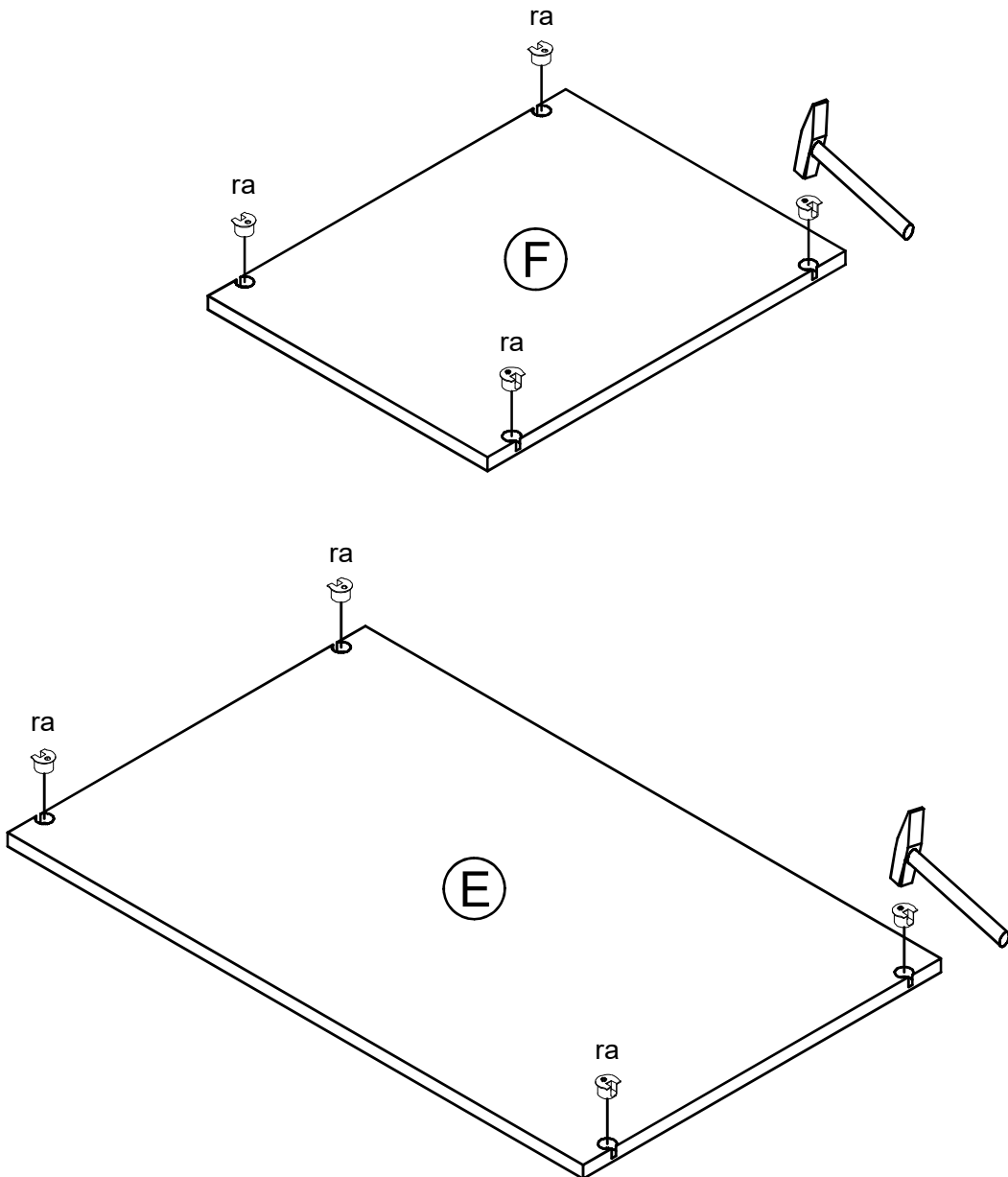
Hardware



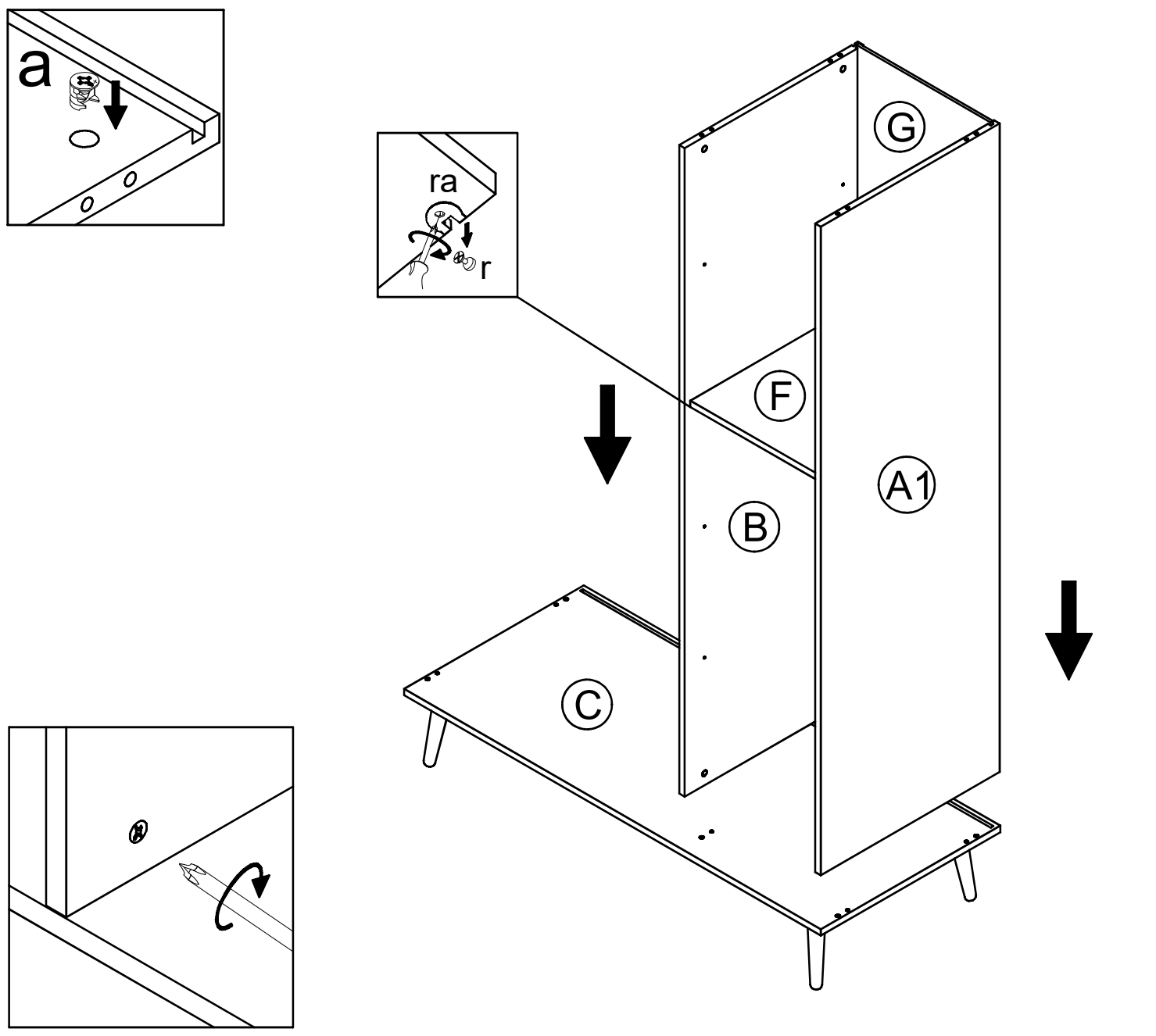
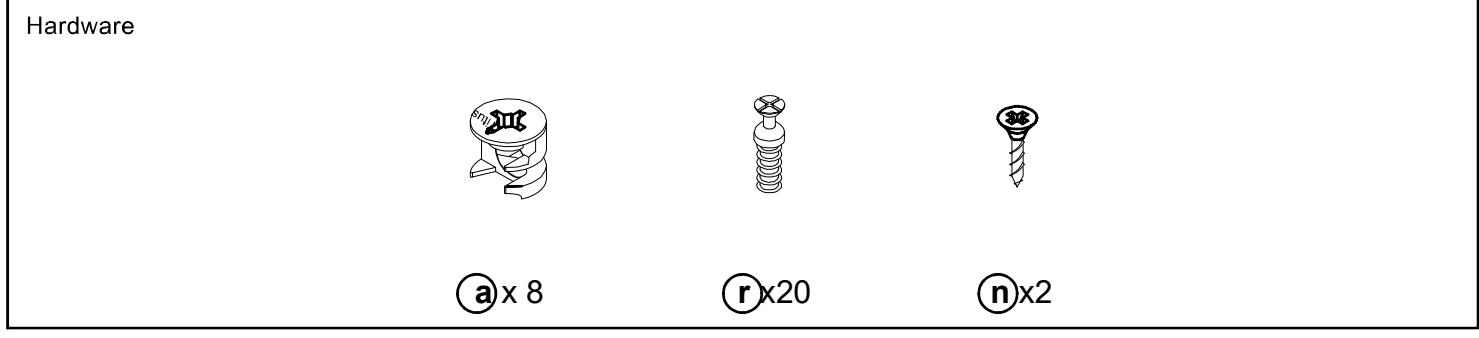
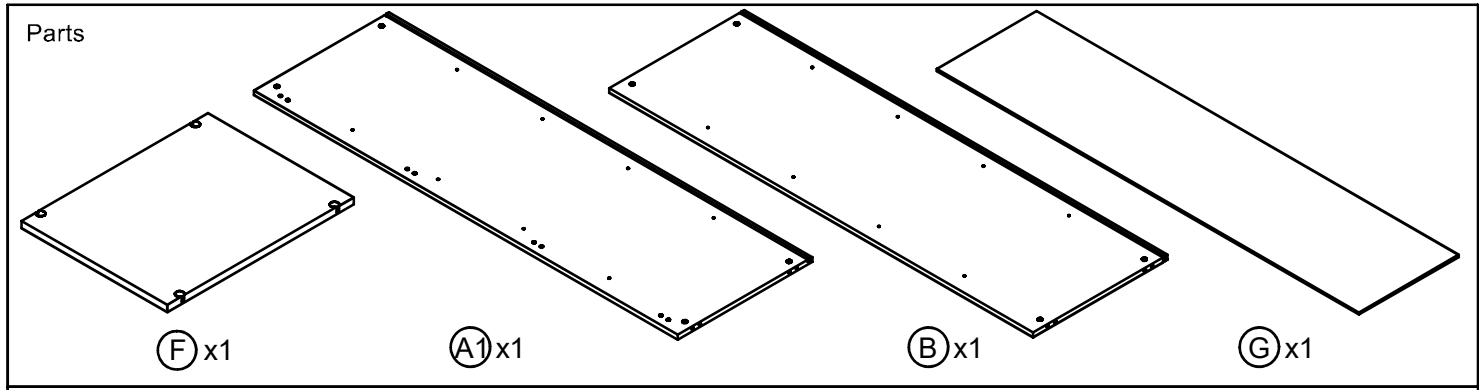
Ⓐ x8



Ⓑ x16

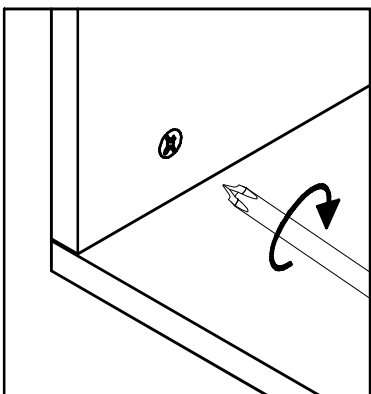
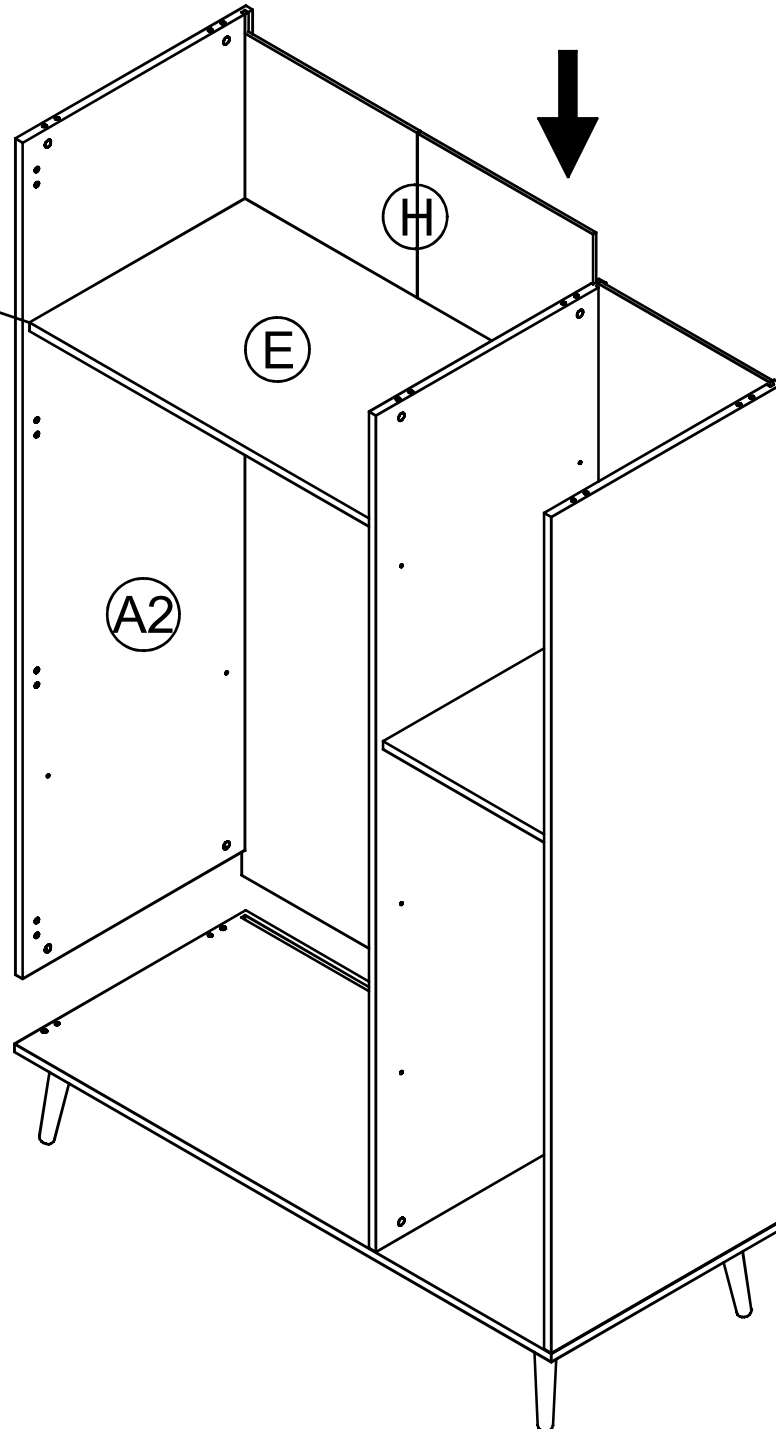
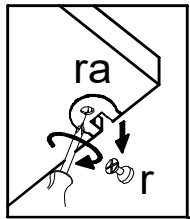
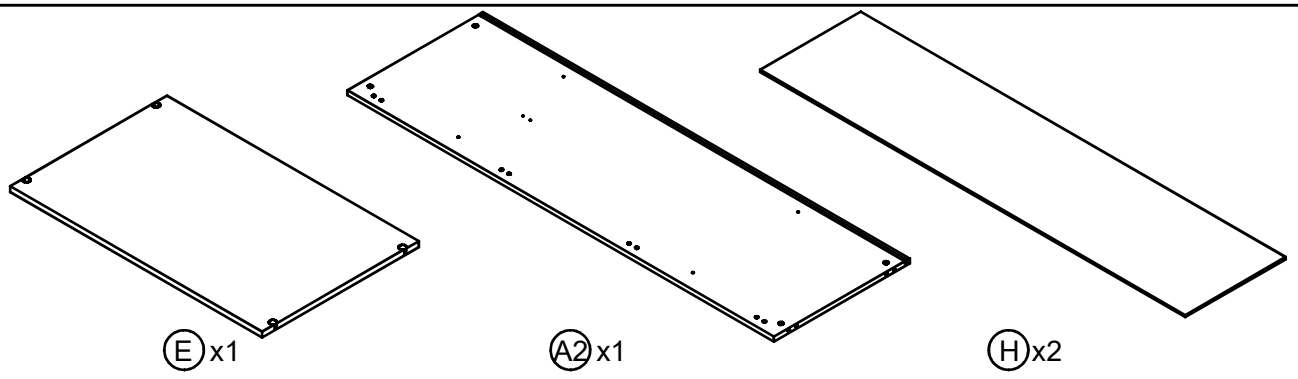


Step 4



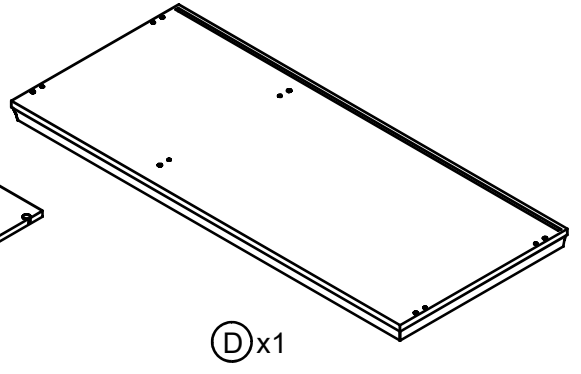
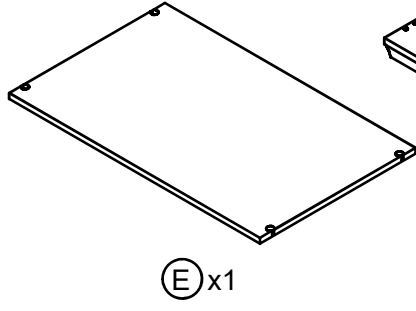
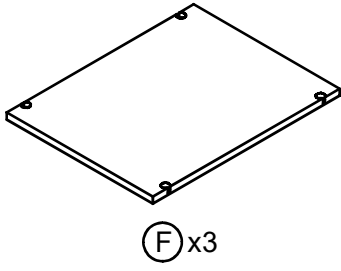
Step 5

Parts



Step 6

Parts



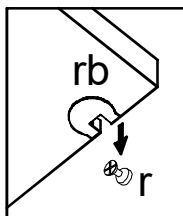
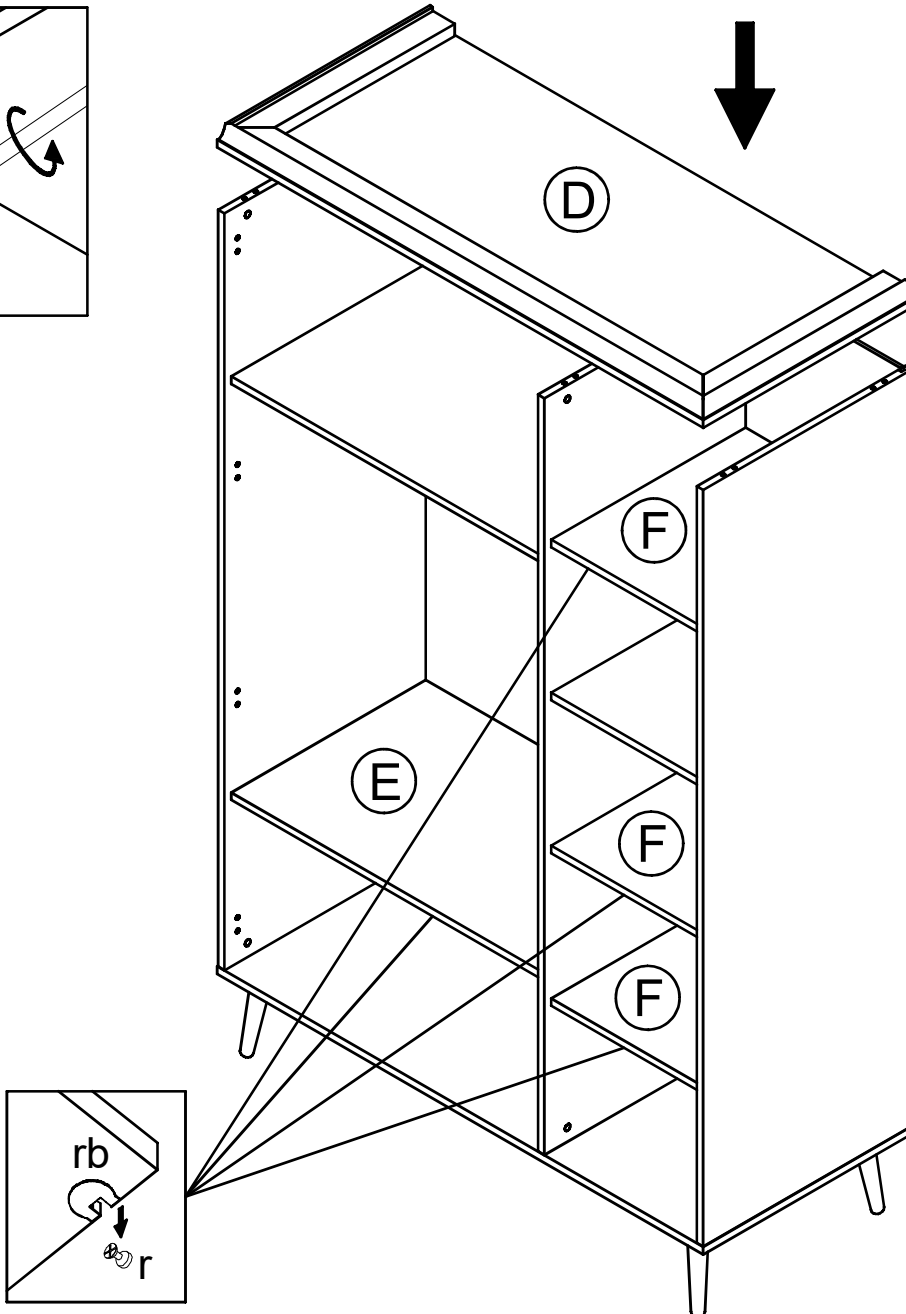
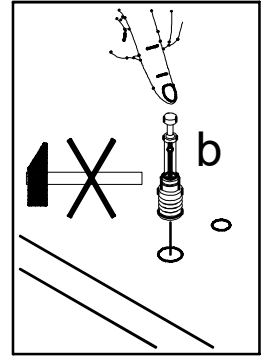
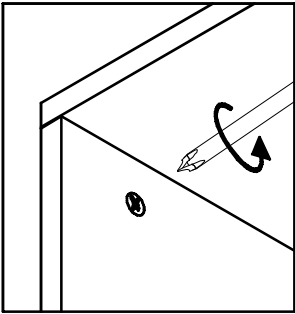
Hardware



ⓑx6

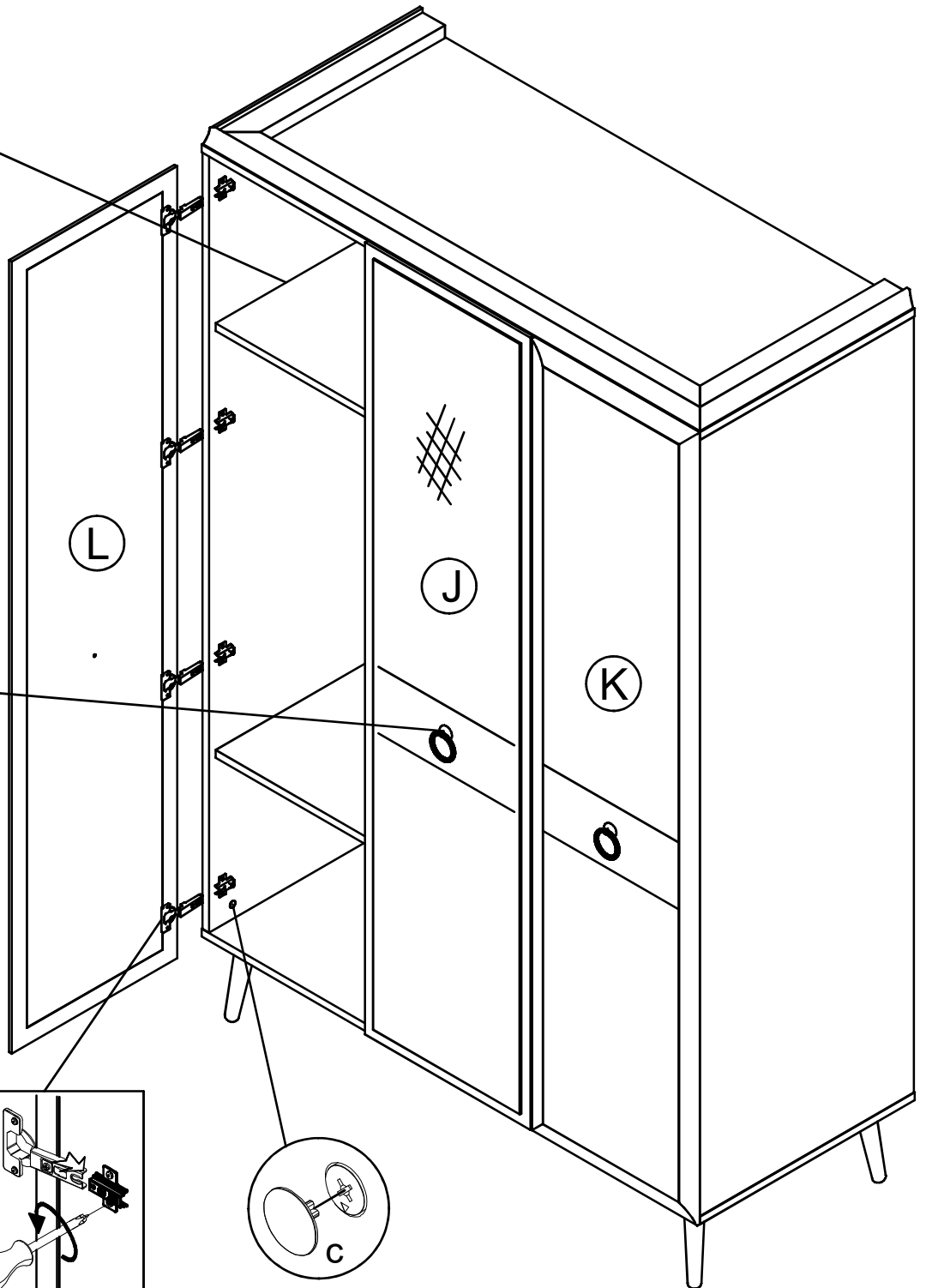
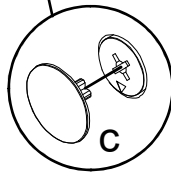
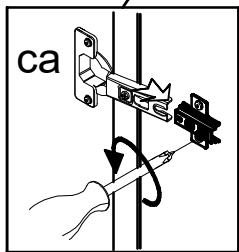
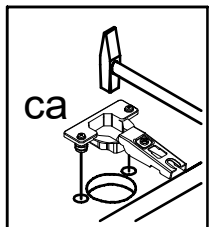
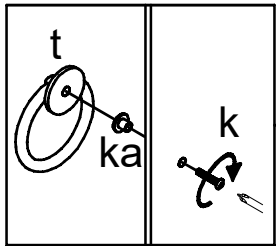
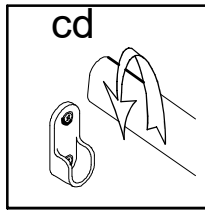
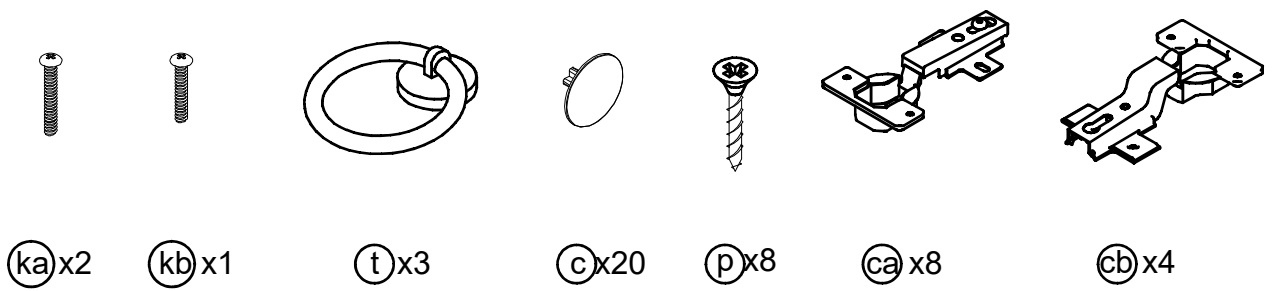


ⓓx6



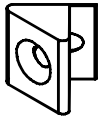
Step 7

Hardware



Step 8

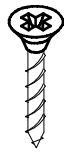
Hardware



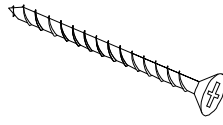
ⓔx12



Ⓝx12



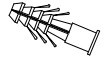
Ⓟx1



Ⓨx1



Ⓤx1



Ⓥx1

