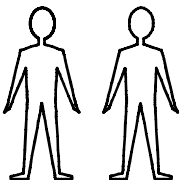


Item Description : Luna Nightstand
Model No : 56006
Dimension : W: 55 / D: 47 / H: 46
Total Weight of Item : 19,32 kg

People Required



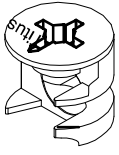
For Professional assembly only

Time Required: 60 min.

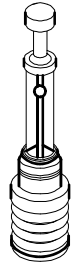
Tools Needed



* Vertical Assembly Only.
* Please cover floor with corrugated board / paper to avoid scratches / damage to floor.



a x 16



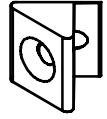
b x 16



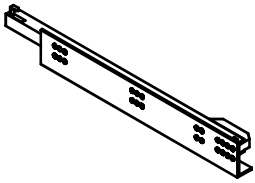
ac x 16



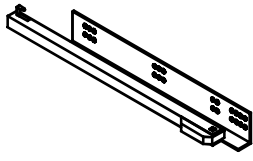
d x 8



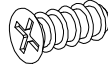
e x 6



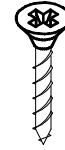
LEFT
aa x 1



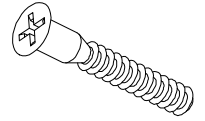
RIGHT
ab x 1



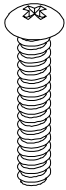
f x 4



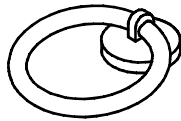
4*25 mm
p x 1



r x 8



M4*40 mm
k x 1



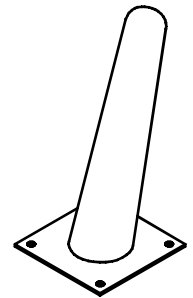
t x 1



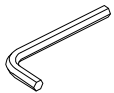
3,5*16 mm
n x 22



M6*30 mm
g x 4



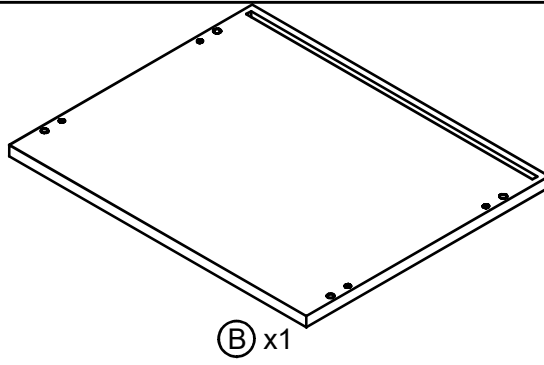
s x 4



e x 1

Step 1

Parts



Hardware



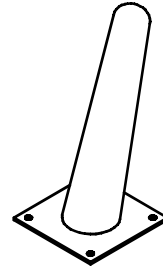
(b) x4



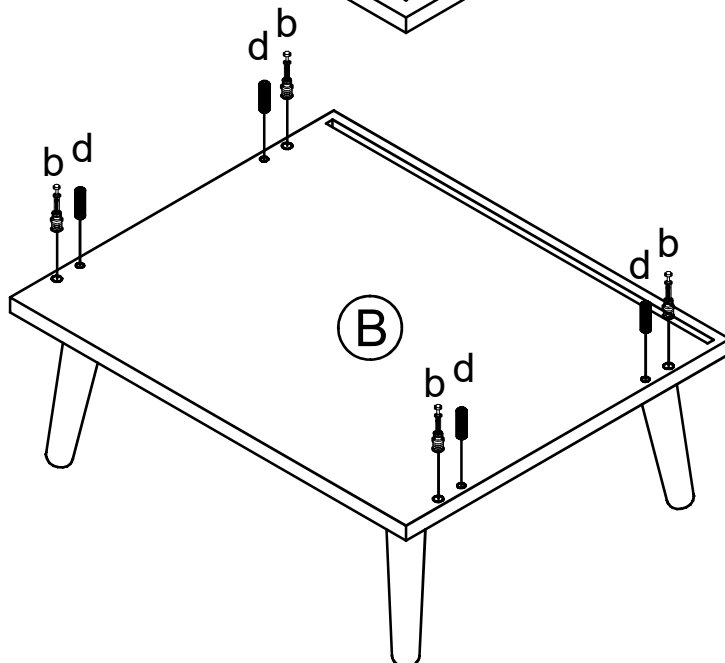
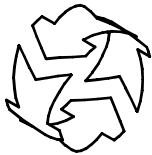
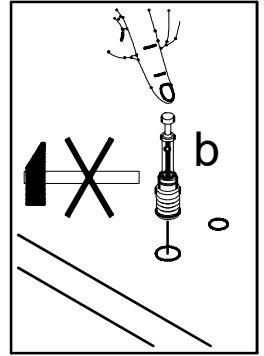
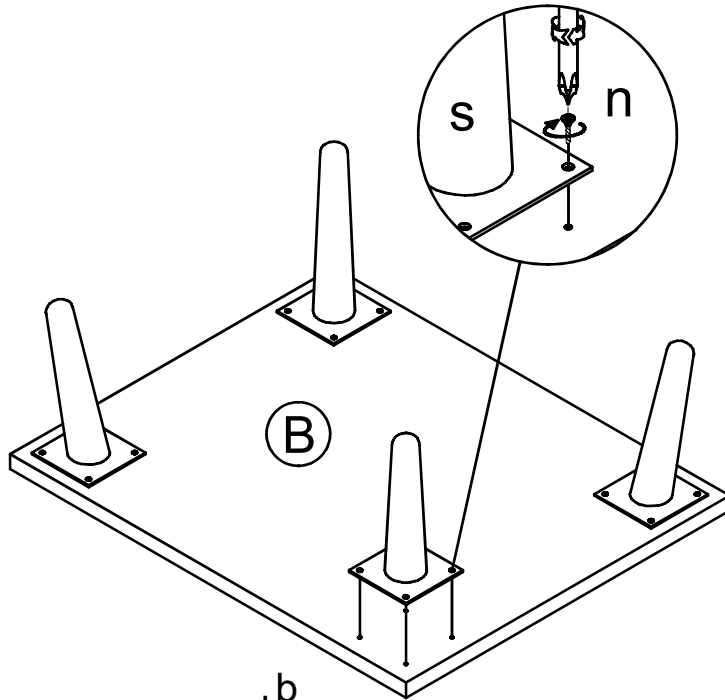
(d) x4



(n) x16

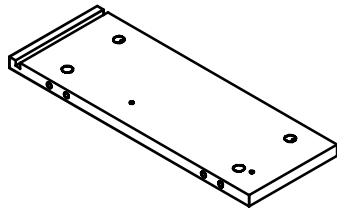


(s) x4

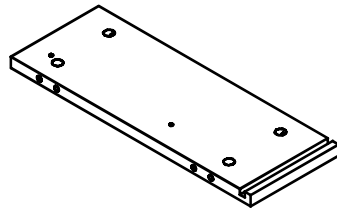


Step 2

Parts



(A1)x1



(A2)x1

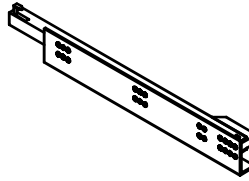
Hardware



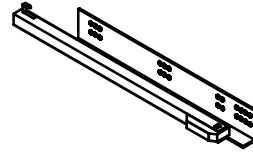
(a)x8



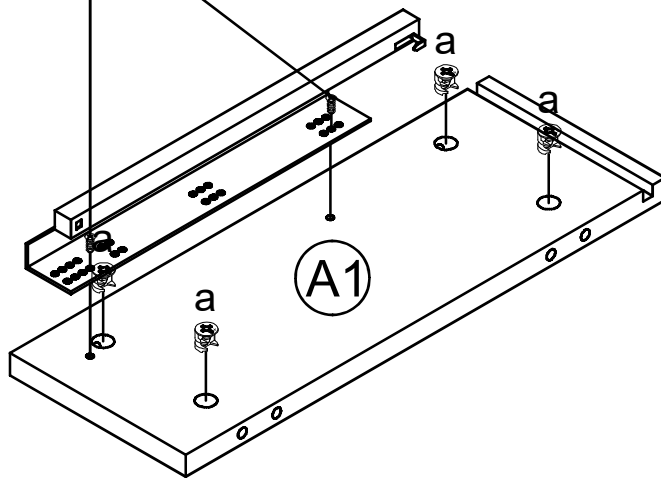
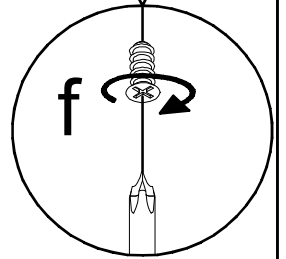
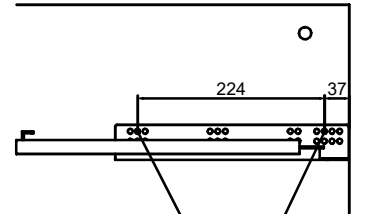
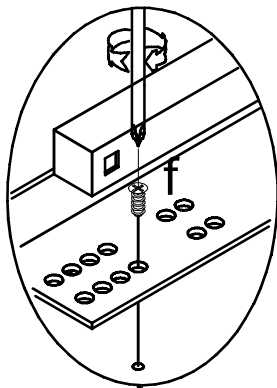
(f)x4



(aa)x1

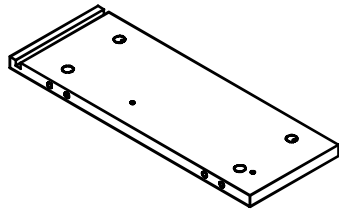


(ab)x1

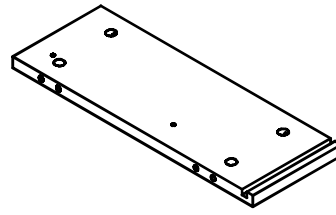


Step 3

Parts

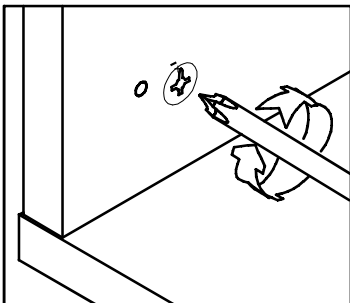
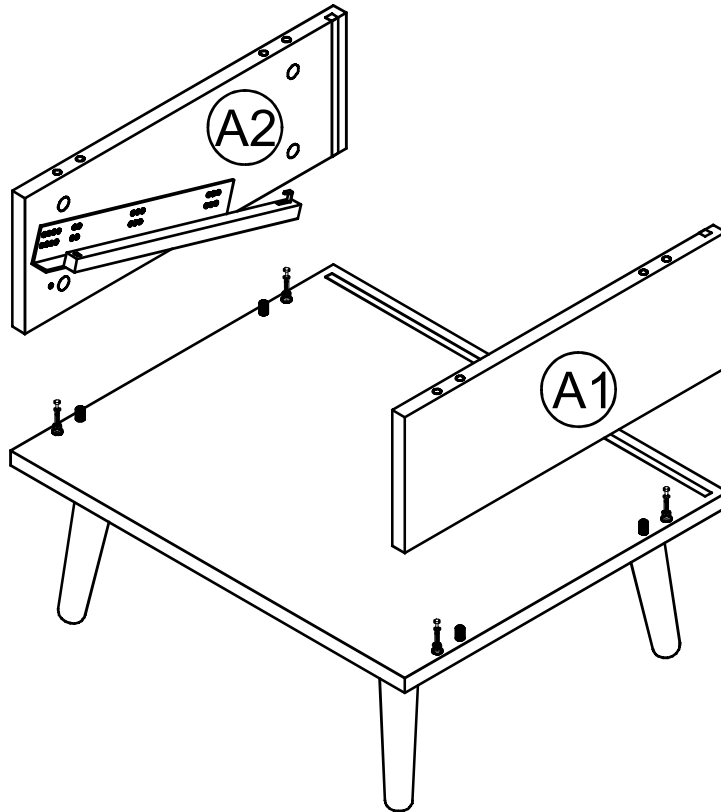
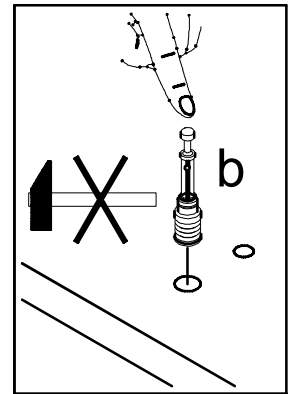


(A1)x1



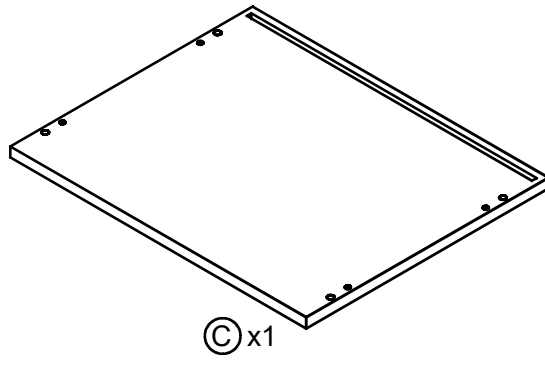
(A2)x1

Hardware



Step 4

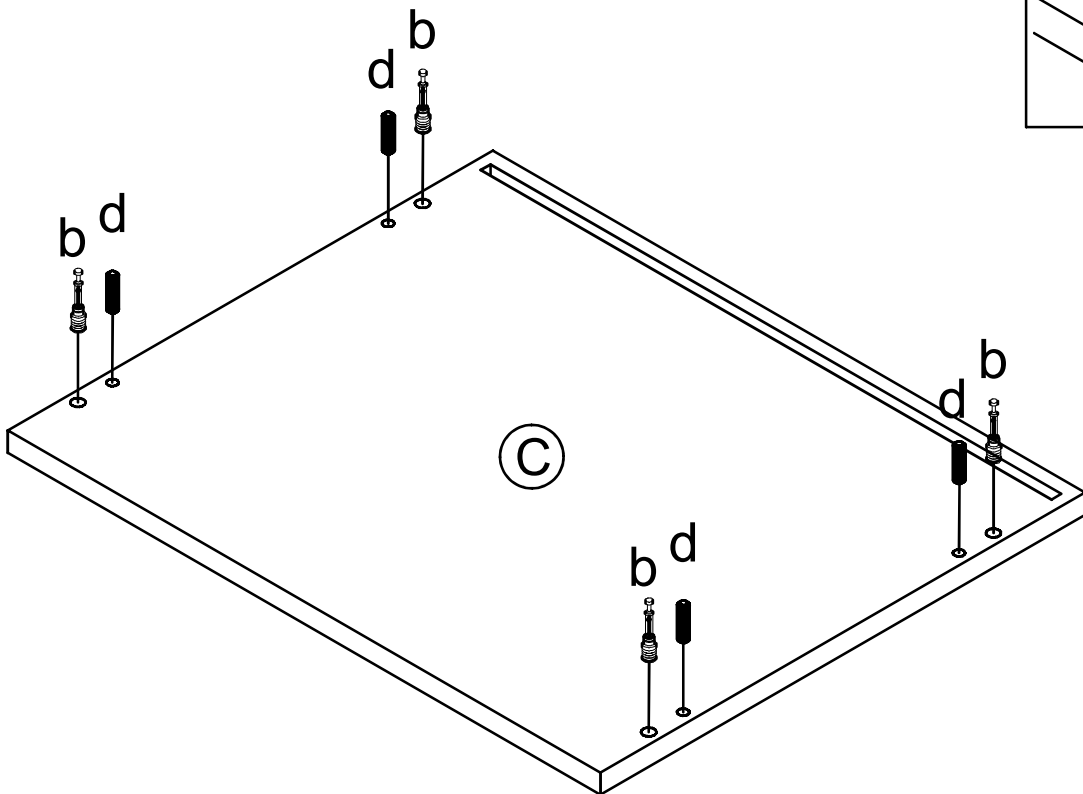
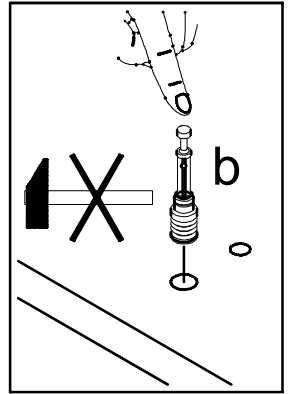
Parts



(b) x4

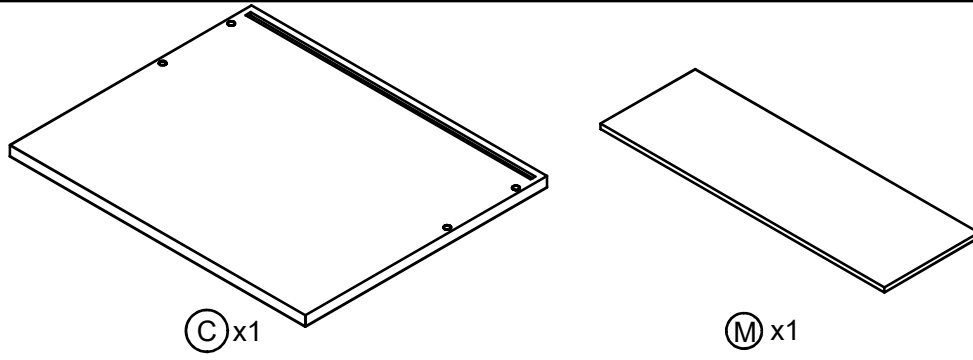


(d) x4



Step 5

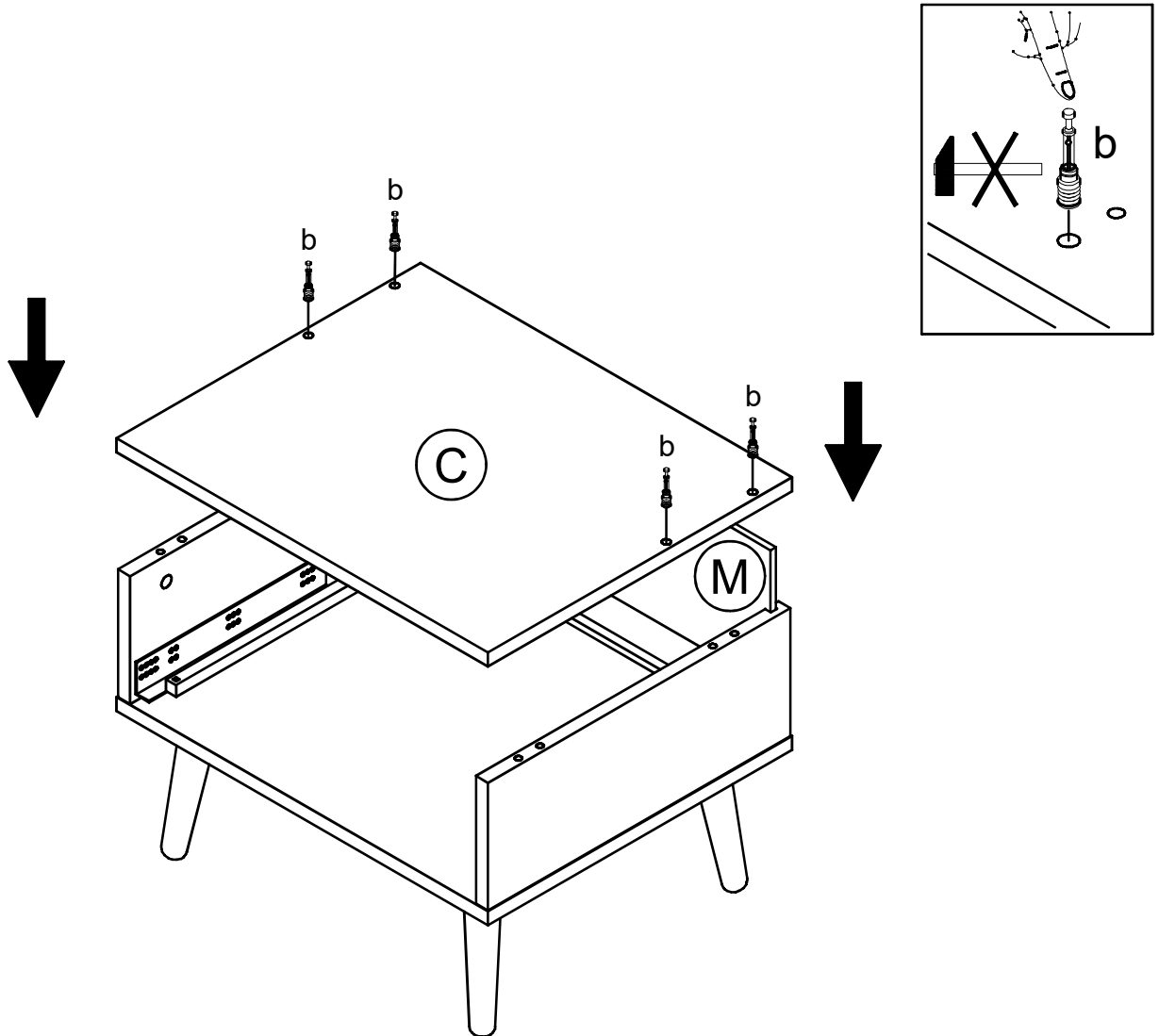
Parts



Hardware

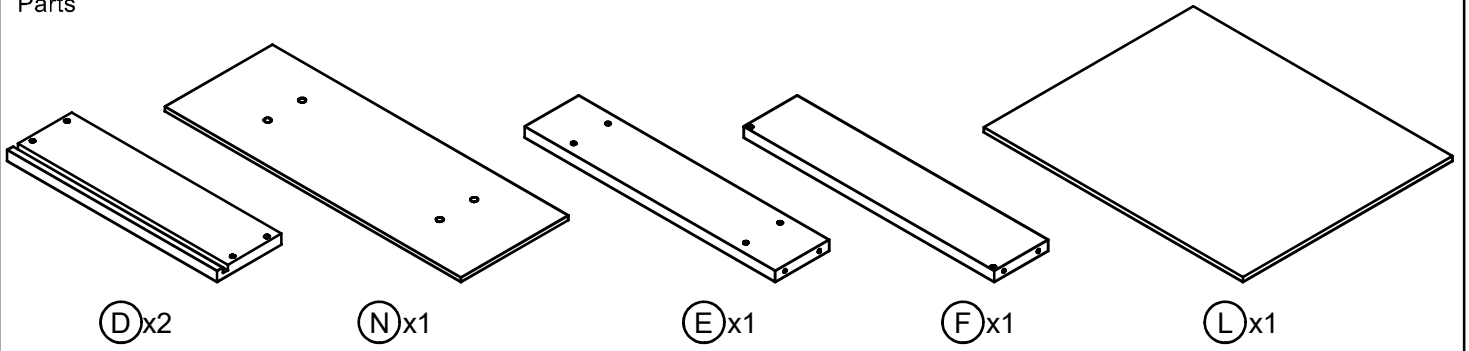


(b) x4

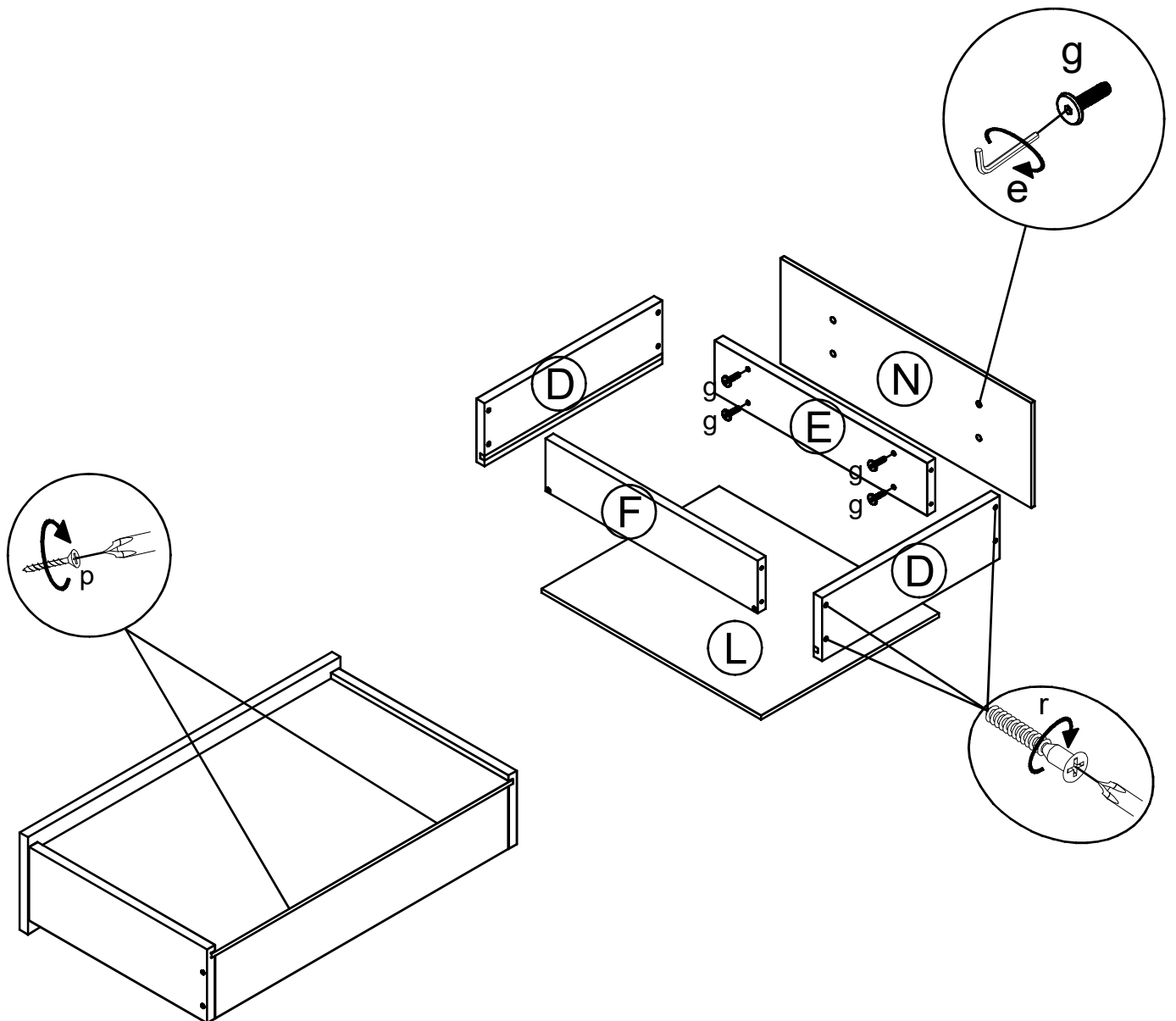
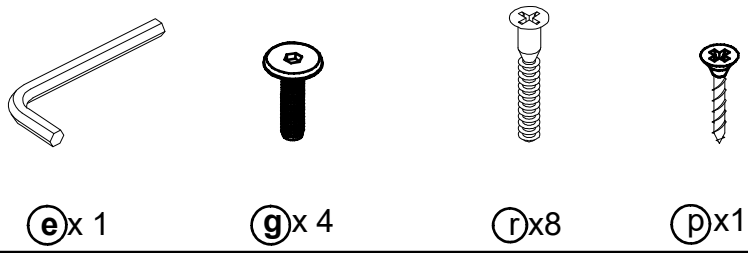


Step 6

Parts

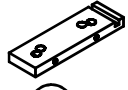


Hardware

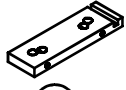


Step 7

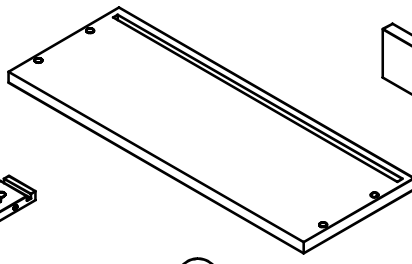
Parts



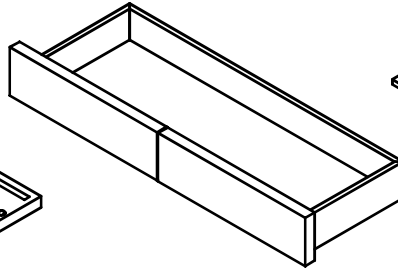
G1 x1



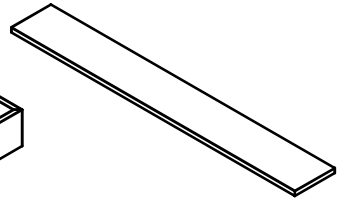
G2 x1



H x1



J x1

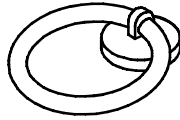


K x1

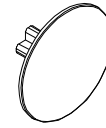
Hardware



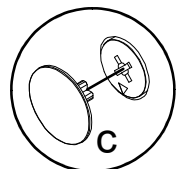
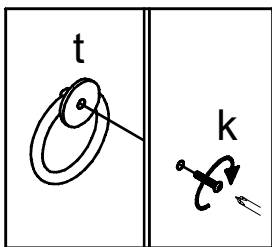
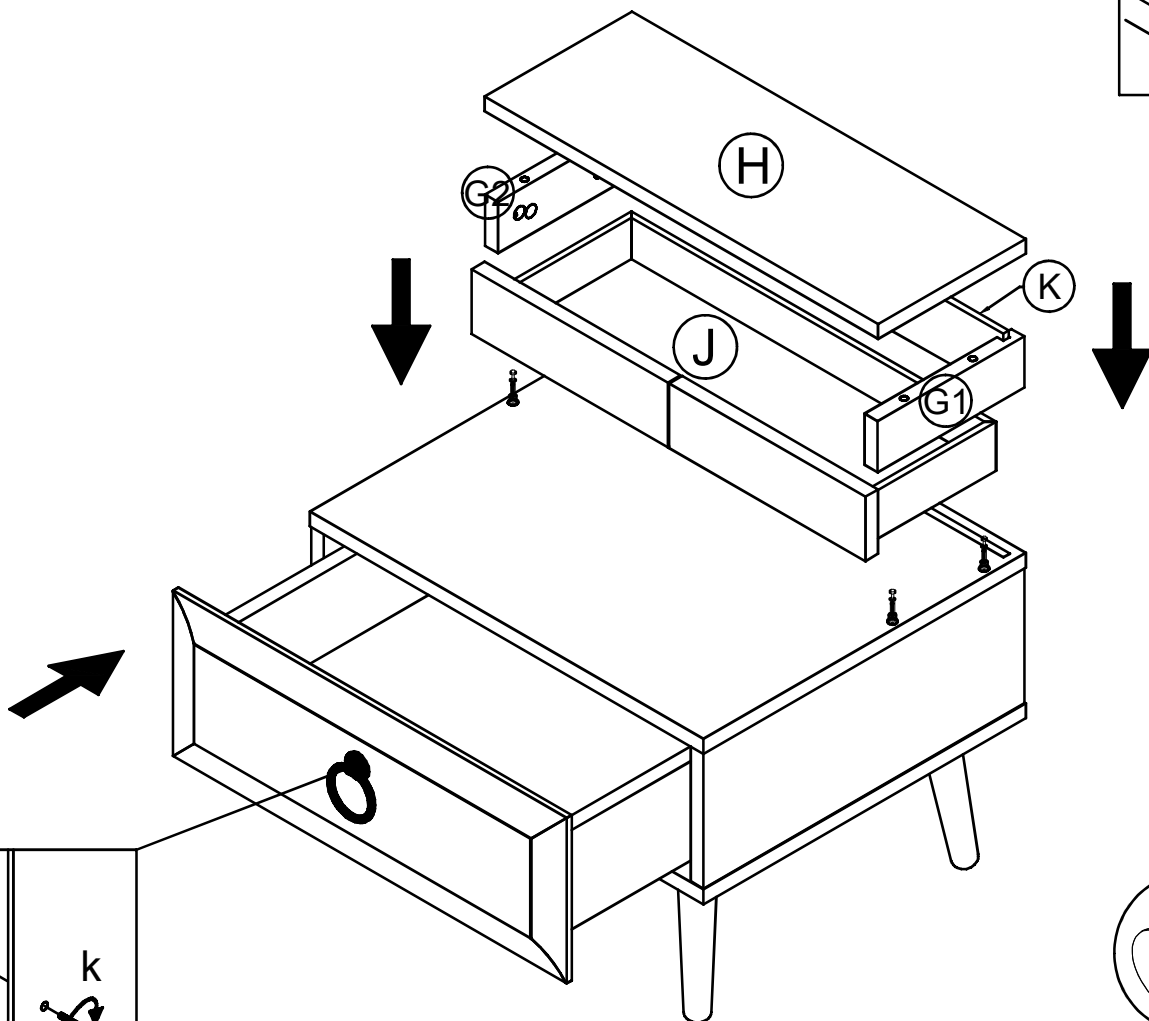
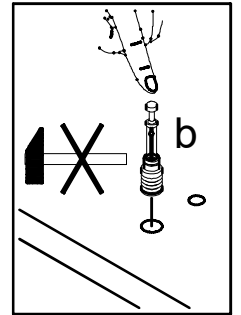
k x1



t x1

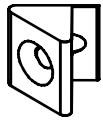


ac x16



Step 8

Hardware



e x6



n x6

