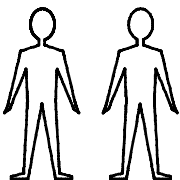


Item Description : Luna Shelf Unit  
Model No : 56014  
Dimension : W: 130 / D: 26.6 / H: 70  
Total Weight of Item : 36,55 kg

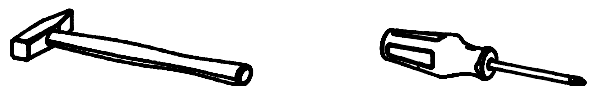
People Required



For Professional assembly only

Time Required: 30 min.

Tools Needed



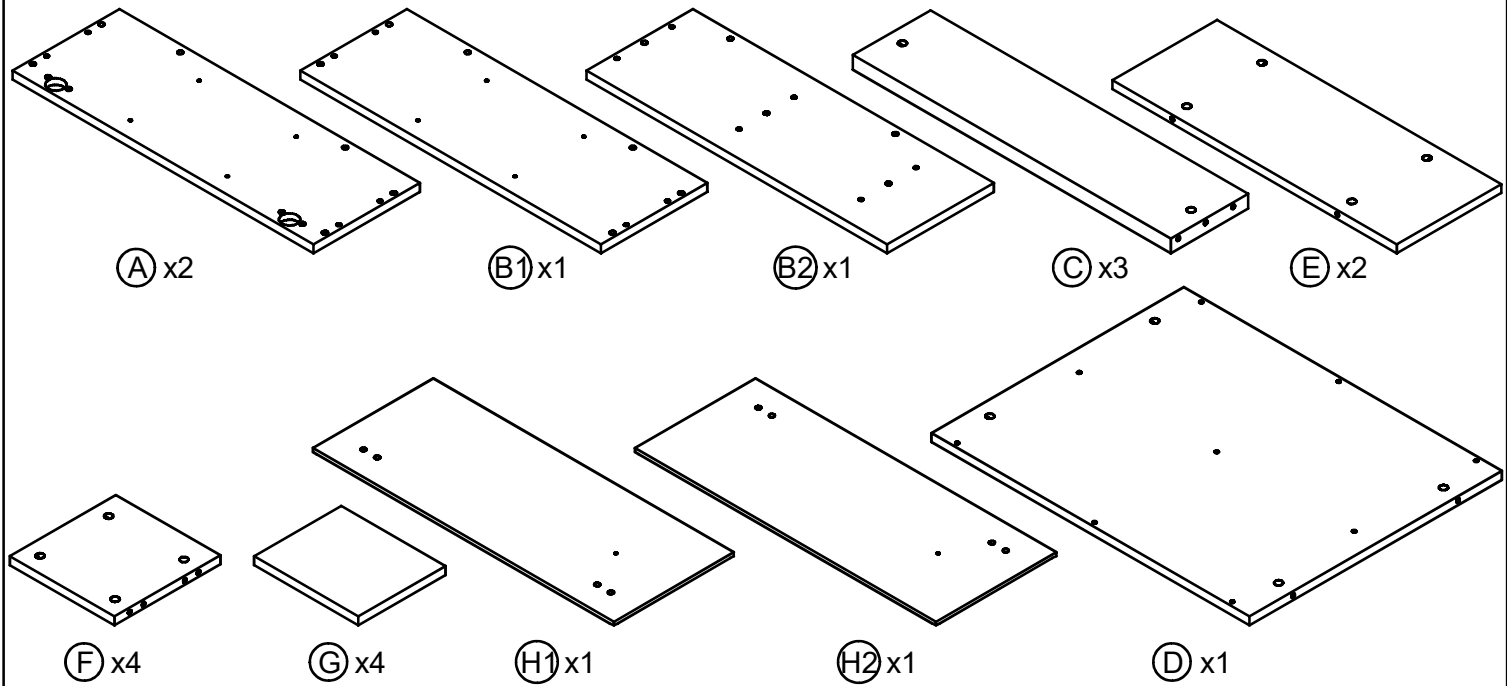
\* Vertical Assembly Only.

\* Please cover floor with corrugated board / paper to avoid scratches / damage to floor.

# Assembly Checklist

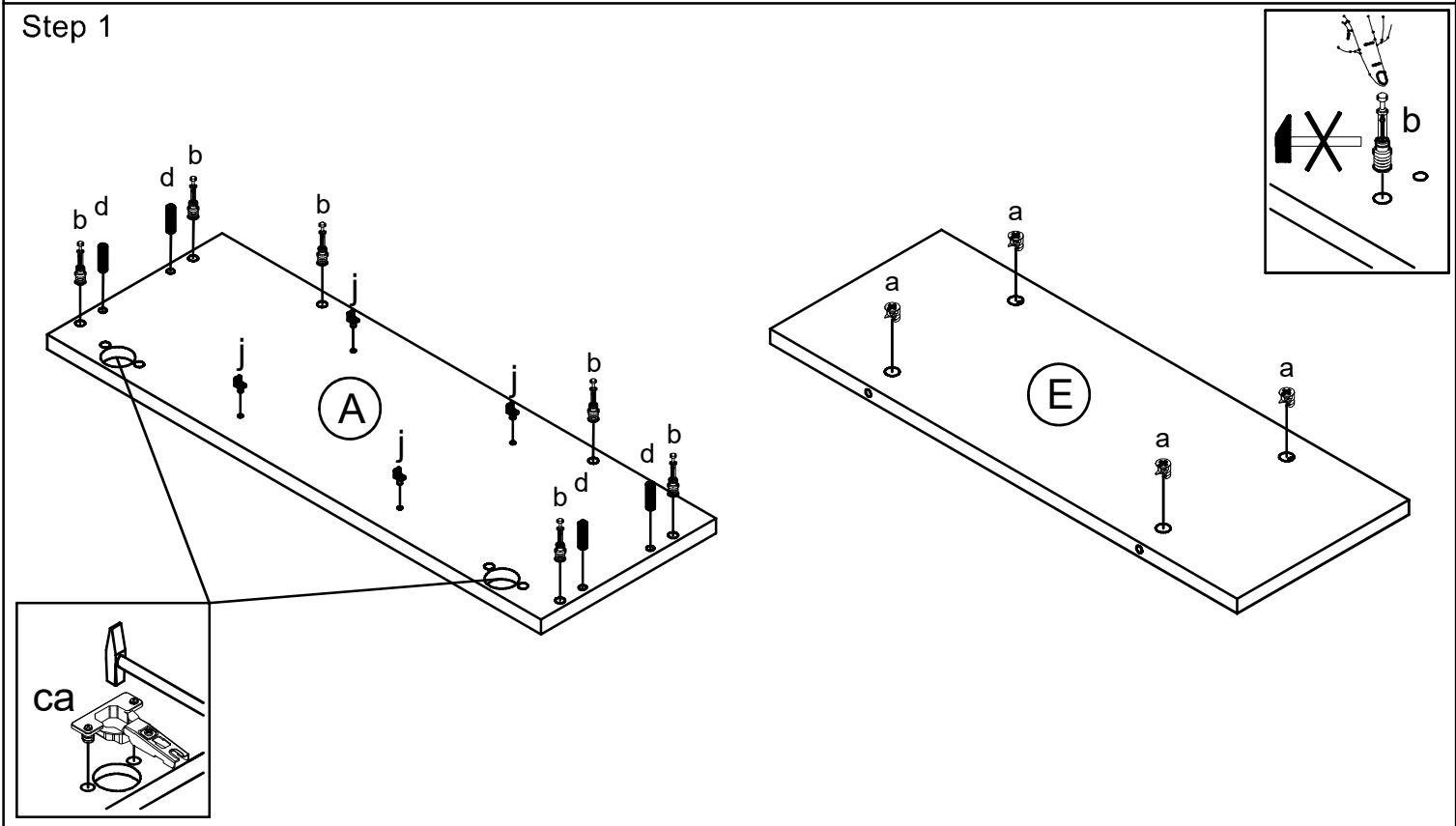
Please make sure that you have all of the below items before you start.

## Parts supplied for assembly

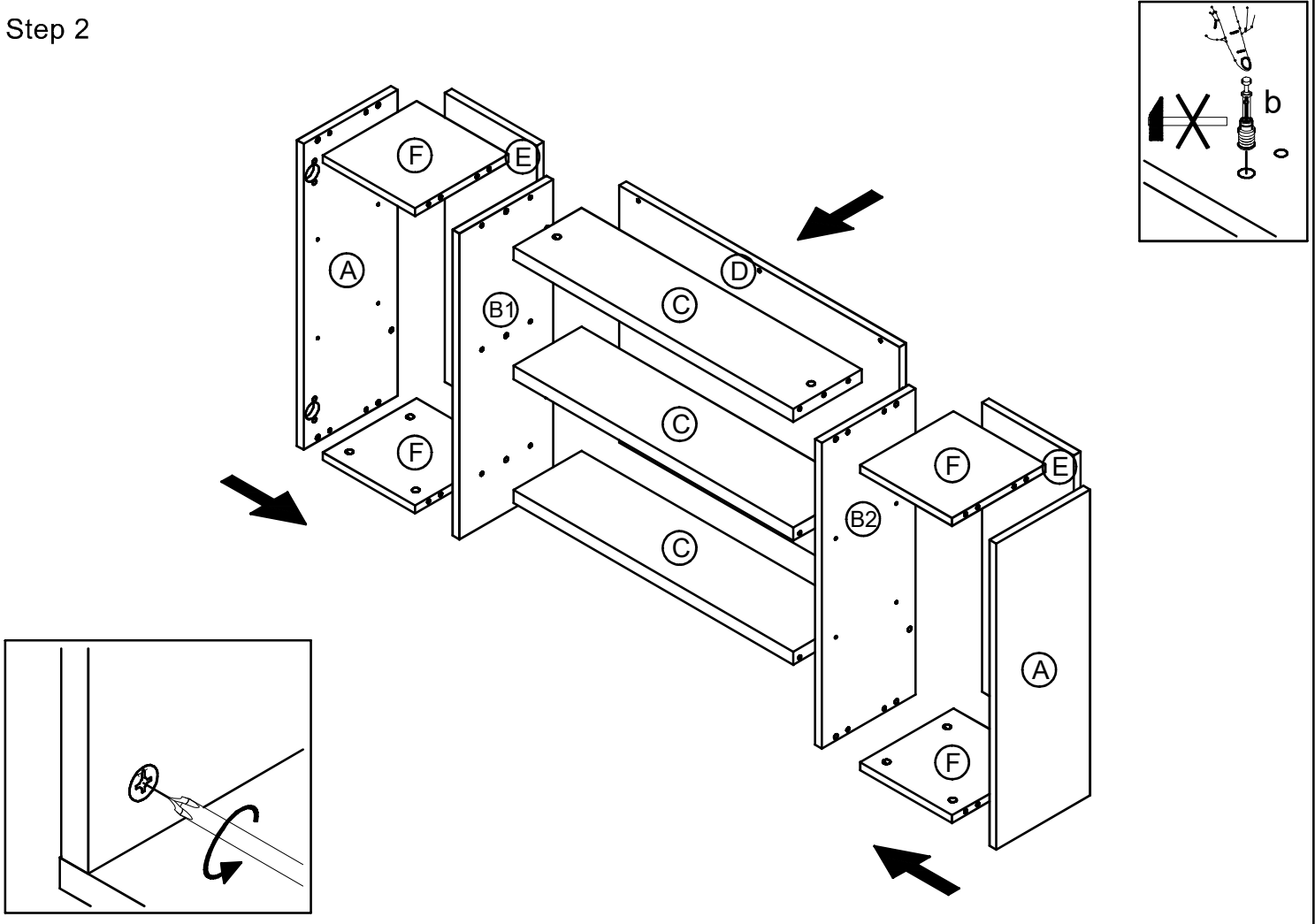


a x 34	b x 34	ac x 34	da x 28	u x 4	4*18 mm n x 8	3,5*25 mm p x 4	r x 9	j x 16
ca x 4	ba x 2	t x 2	k x 2	5*60 mm y x 4	Ø8 mm v x 4			

## Step 1



Step 2



Step 3

