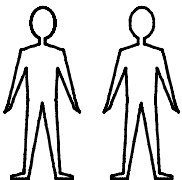


Item Description : Luna Chest Of Drawers
 Model No : 56007
 Dimension : W: 85 / D: 47 / H: 89
 Total Weight of Item : 52 kg

People Required



For Professional assembly only

Time Required: 1 hrs. 30 min.

Tools Needed

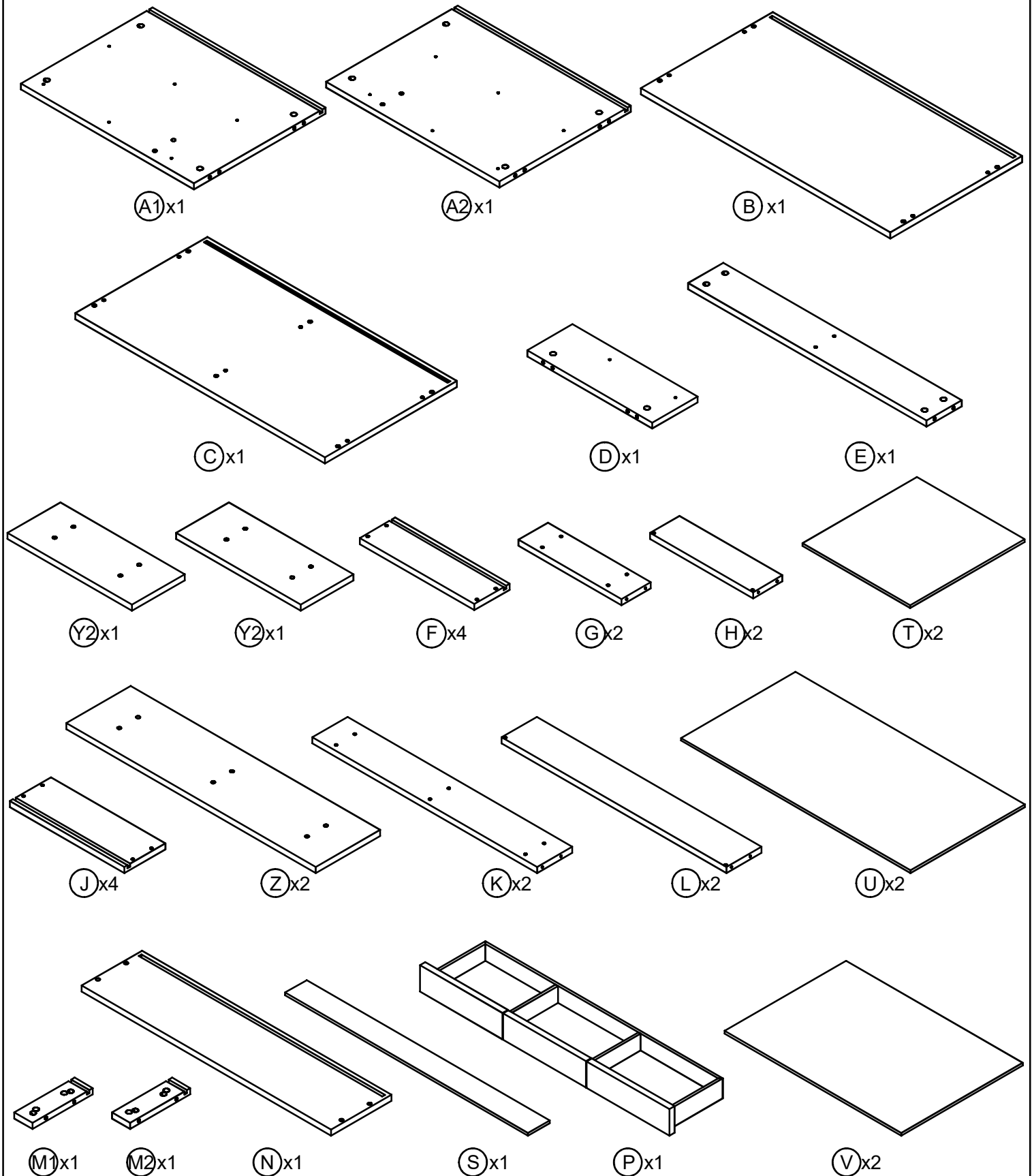


* Vertical Assembly Only.
 * Please cover floor with corrugated board / paper to avoid scratches / damage to floor.

Assembly Checklist

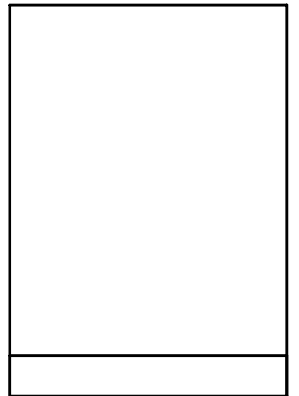
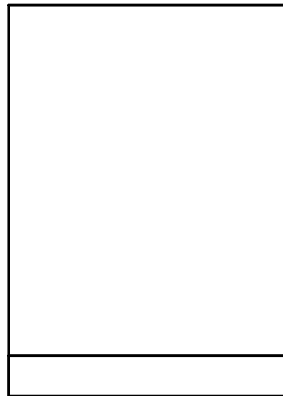
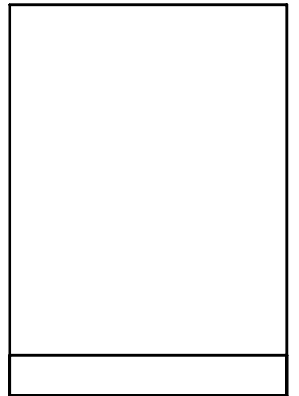
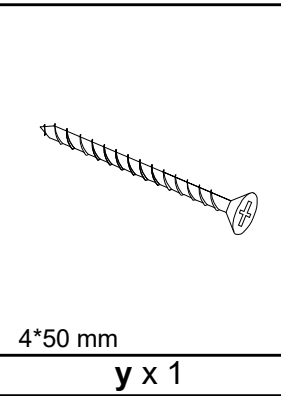
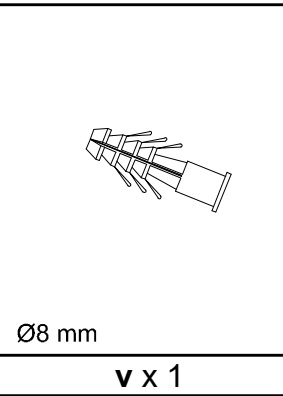
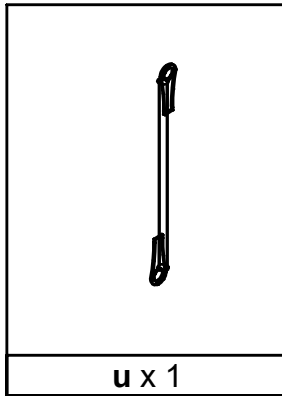
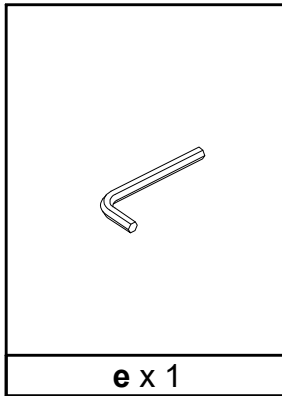
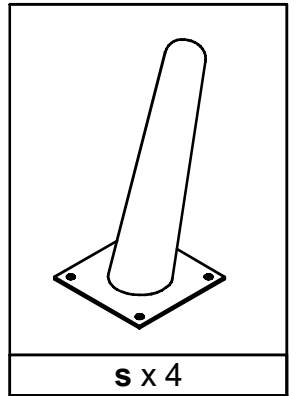
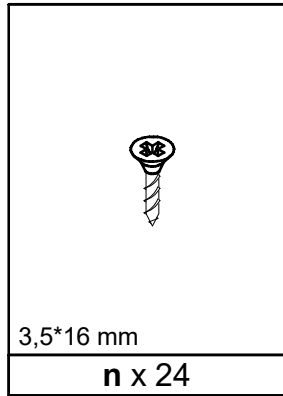
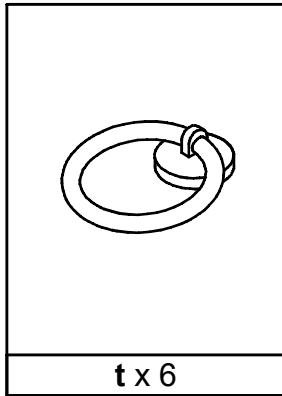
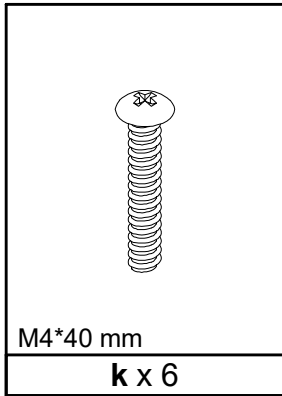
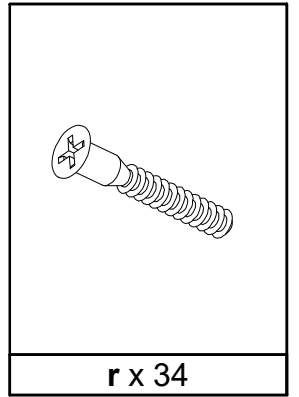
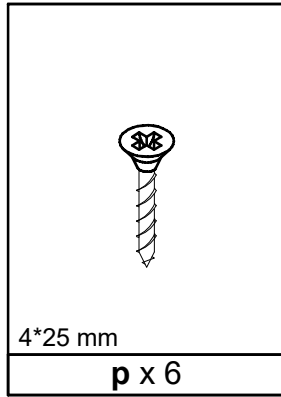
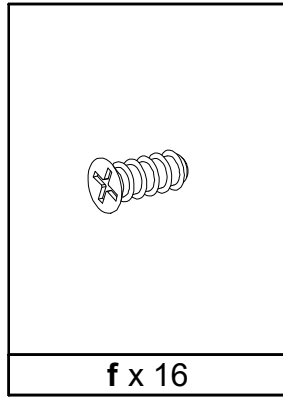
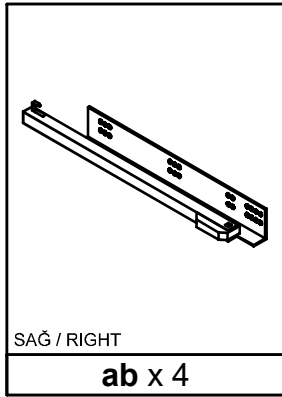
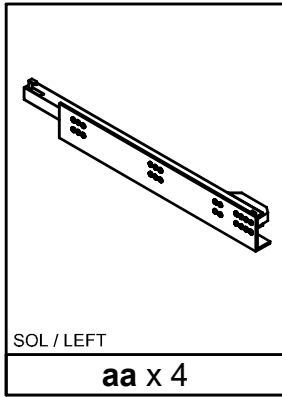
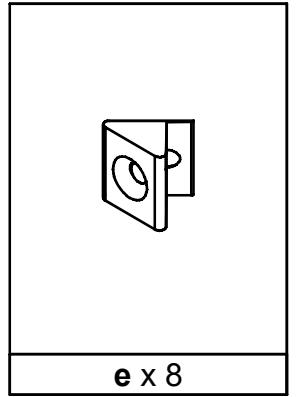
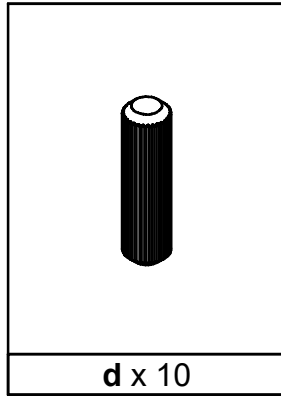
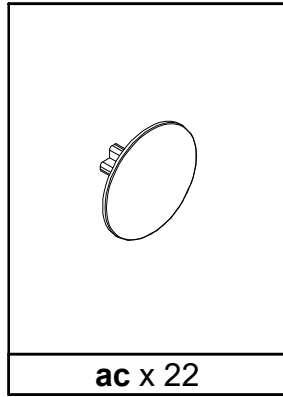
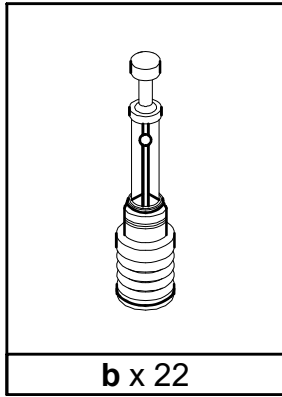
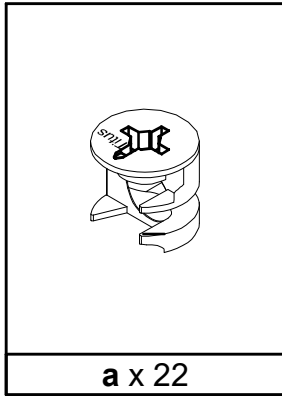
Please make sure that you have all of the below items before you start.

Parts supplied for assembly



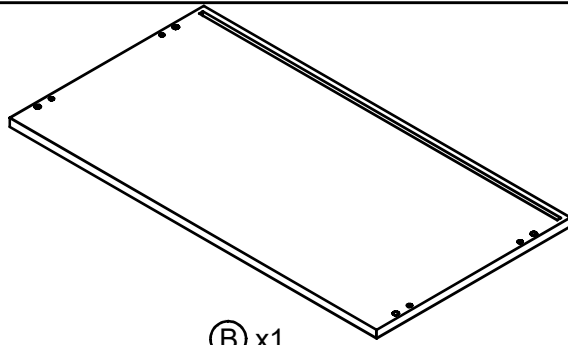
Part List	A1	A2	B	C	D	E	F	G	H	J	K	L	M1	M2	N	P	S	T	U	V	Y1	Y2	Z
Carton Box No.	1	1	1	2	1	1	1	1	1	1	1	1	1	1	2	3	2	2	2	2	2	2	2

Hardware supplied for assembly



Step 1

Parts



(B) x1

Hardware



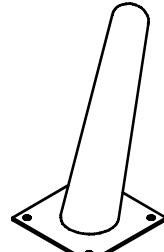
(b) x4



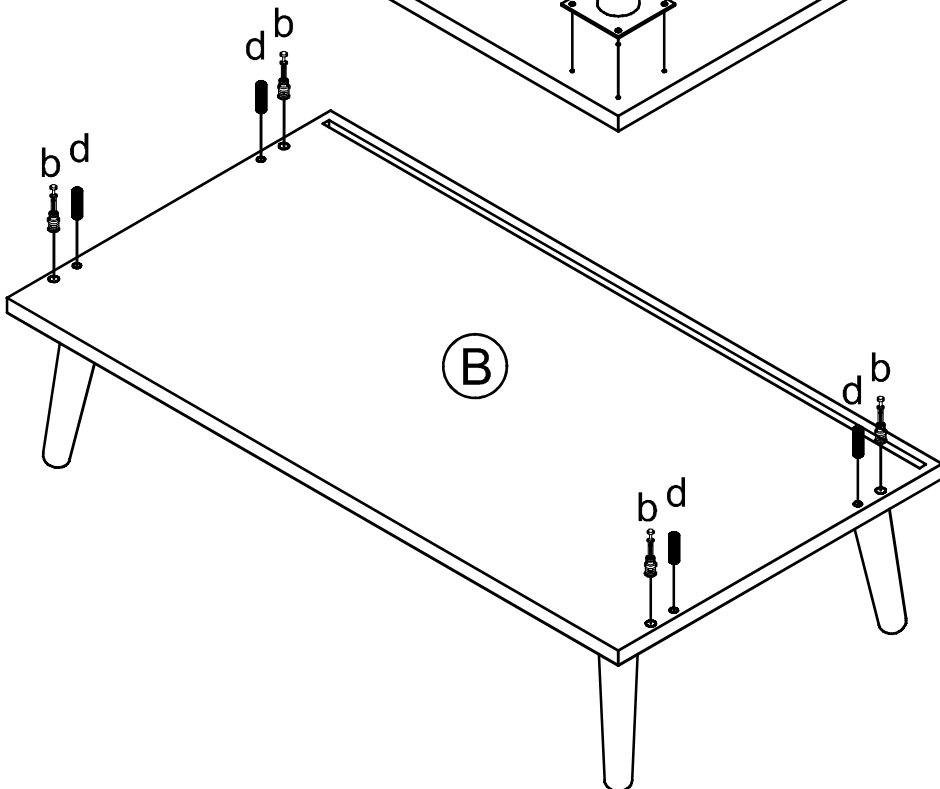
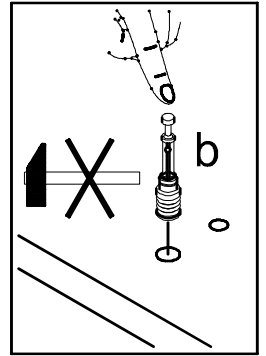
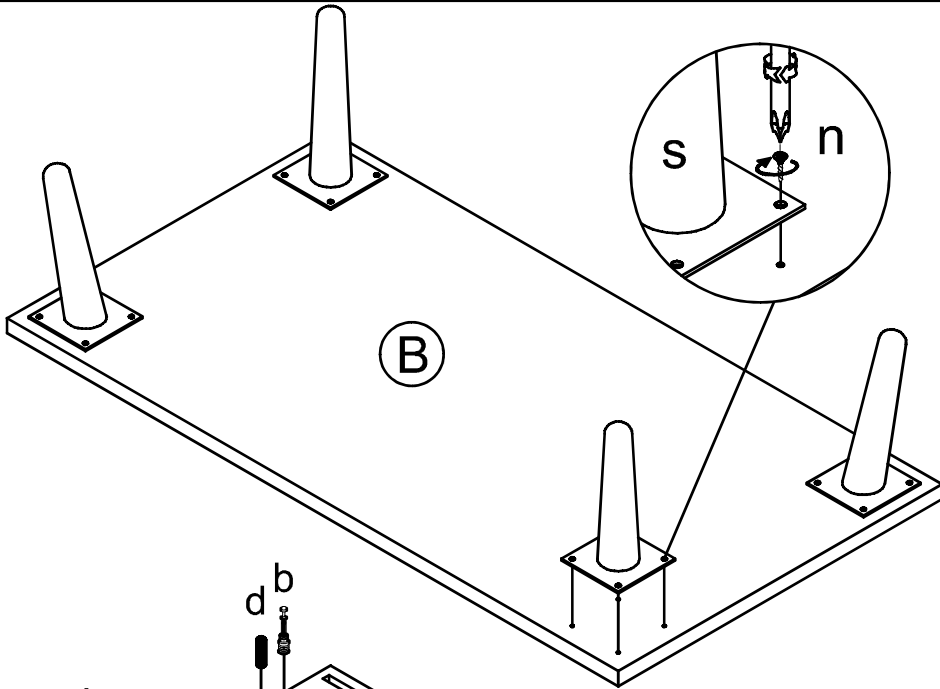
(d) x4



(n) x16

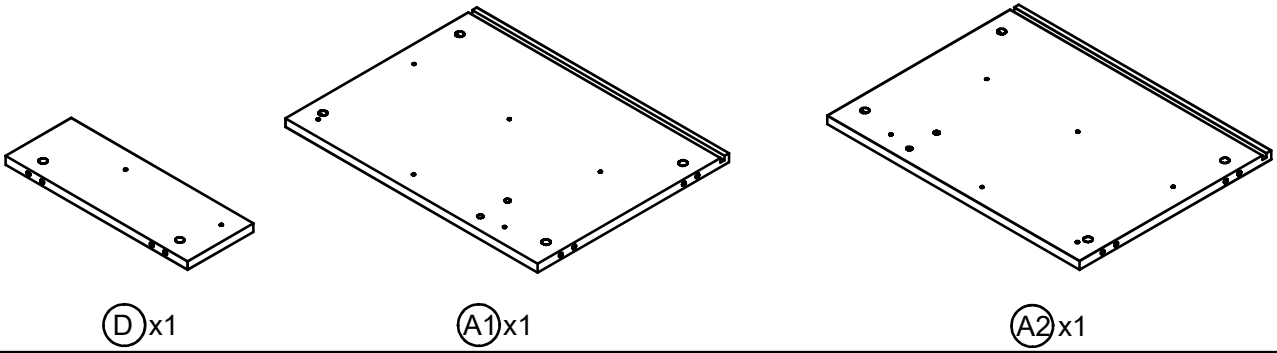


(s) x4

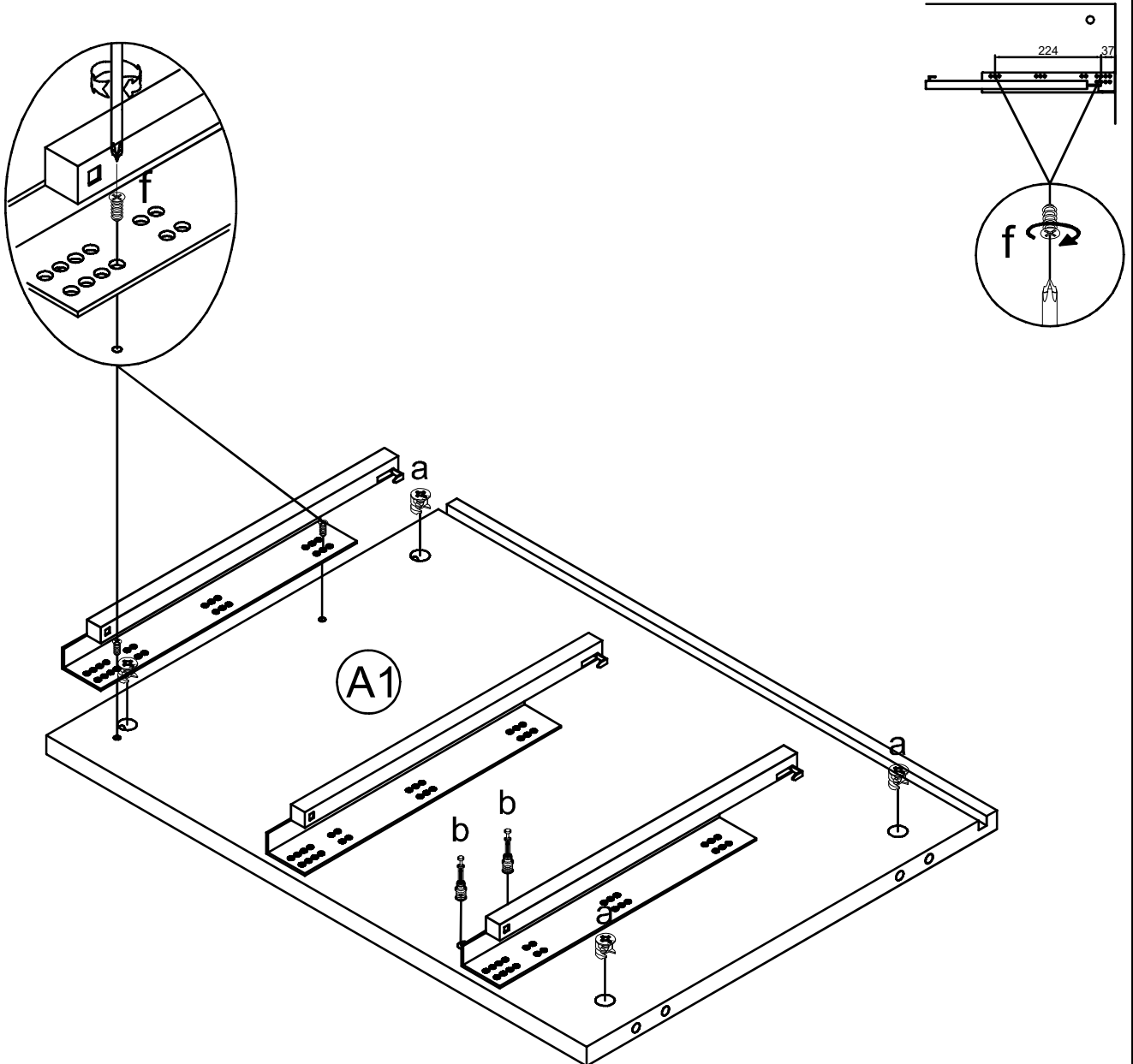
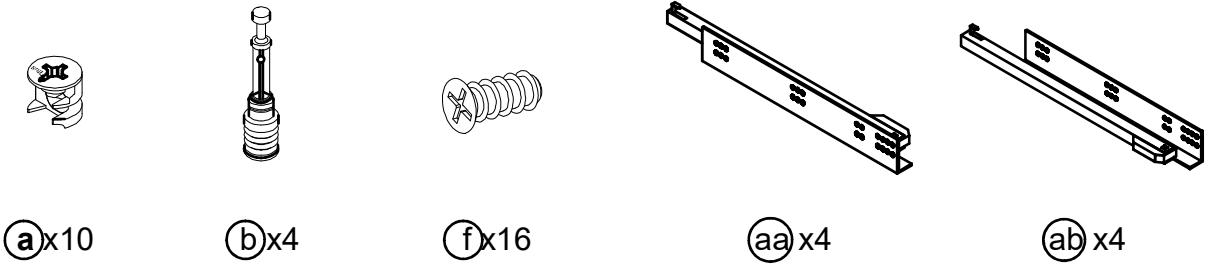


Step 2

Parts

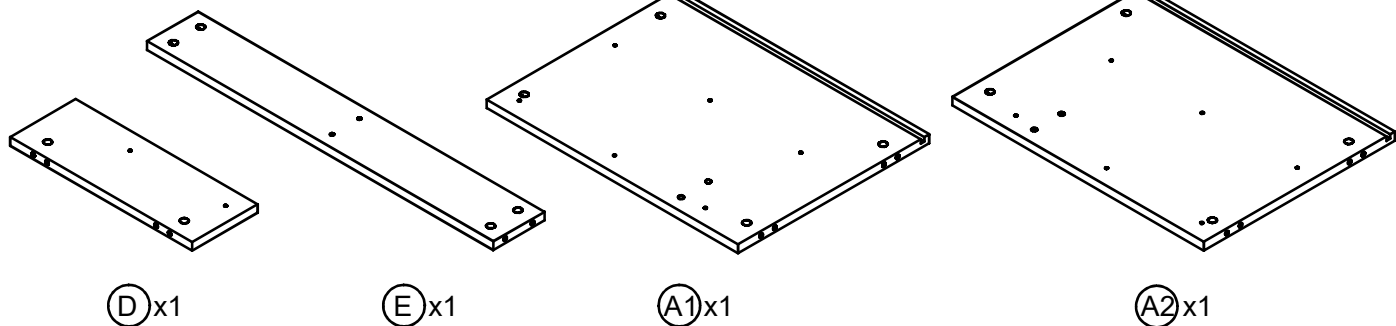


Hardware

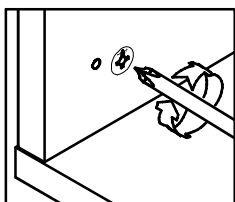
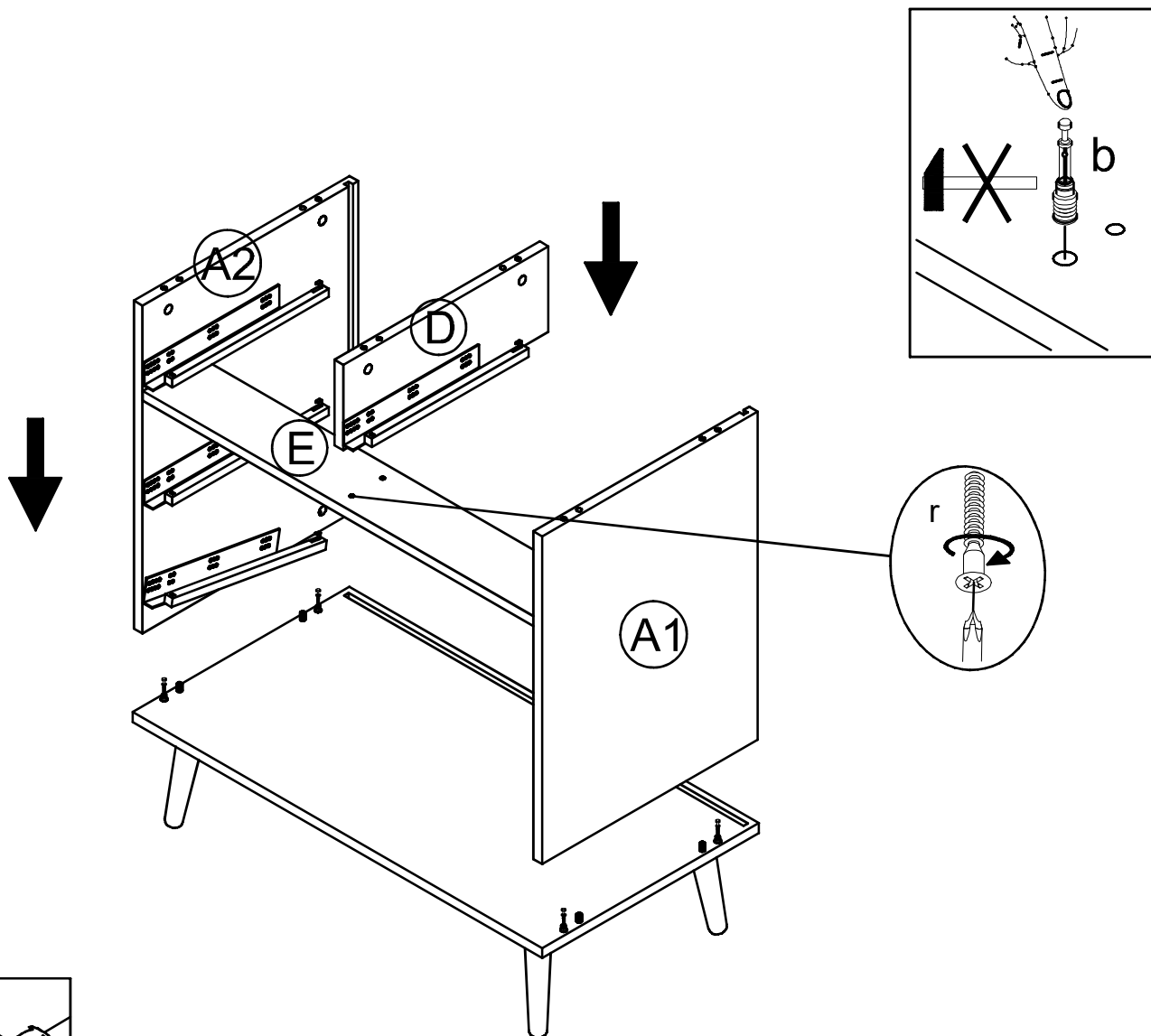
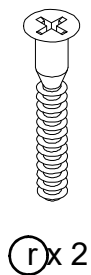


Step 3

Parts

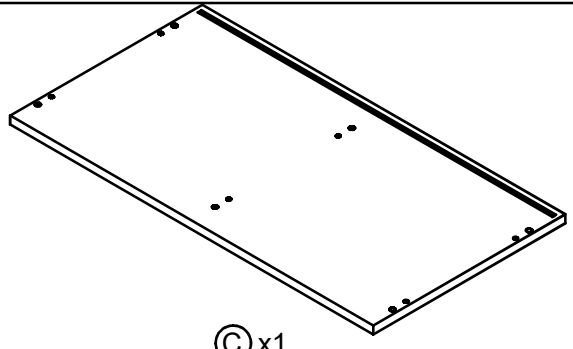


Hardware



Step 4

Parts



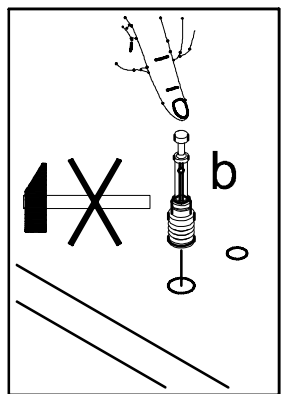
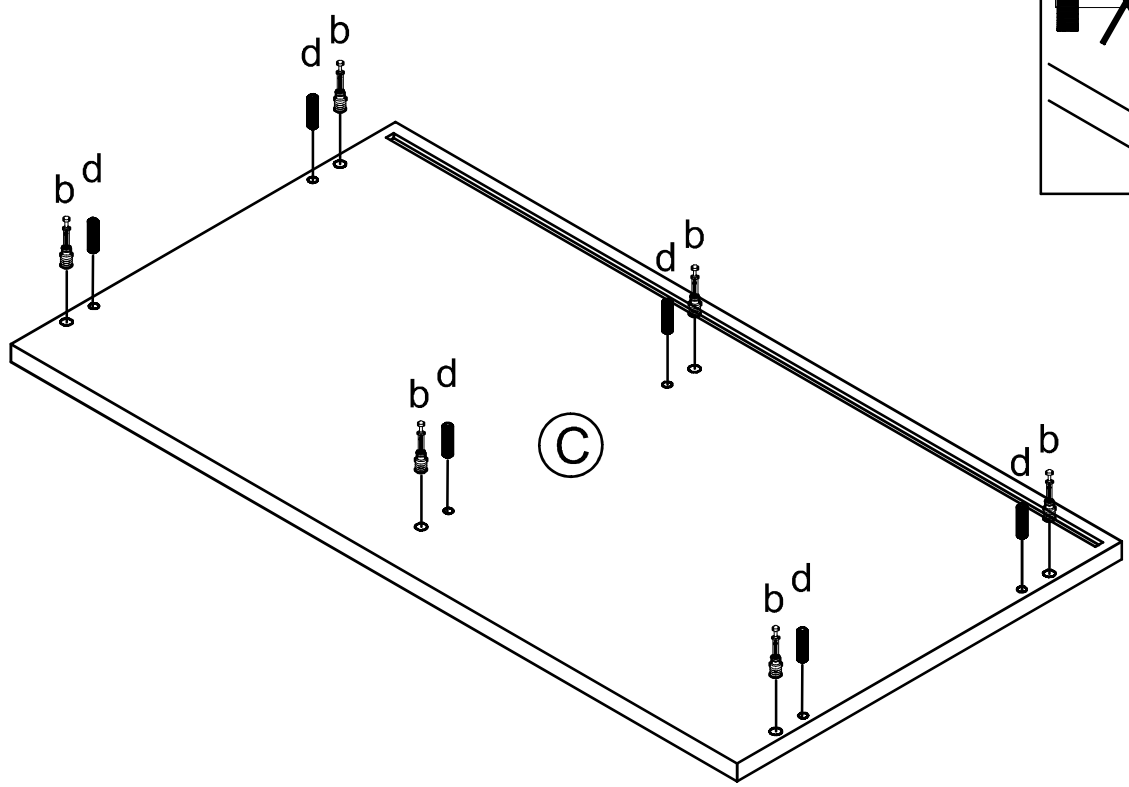
© x1



b x6

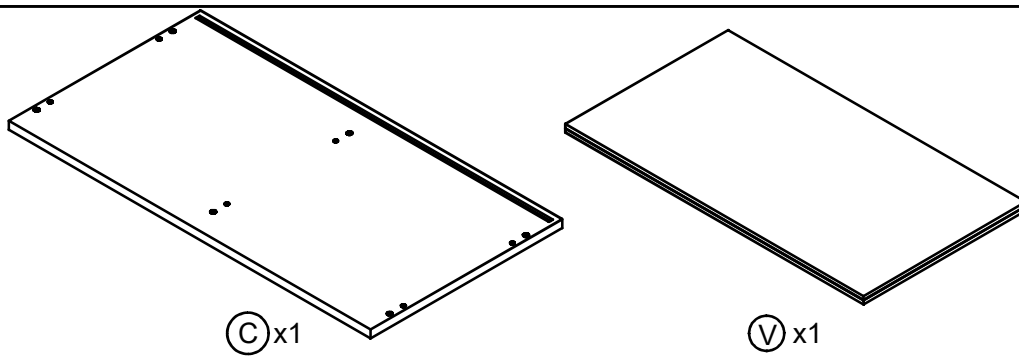


d x6



Step 5

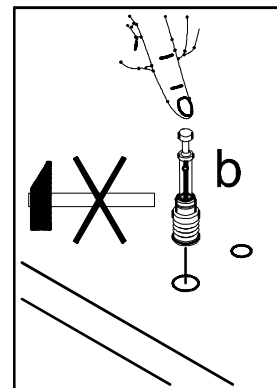
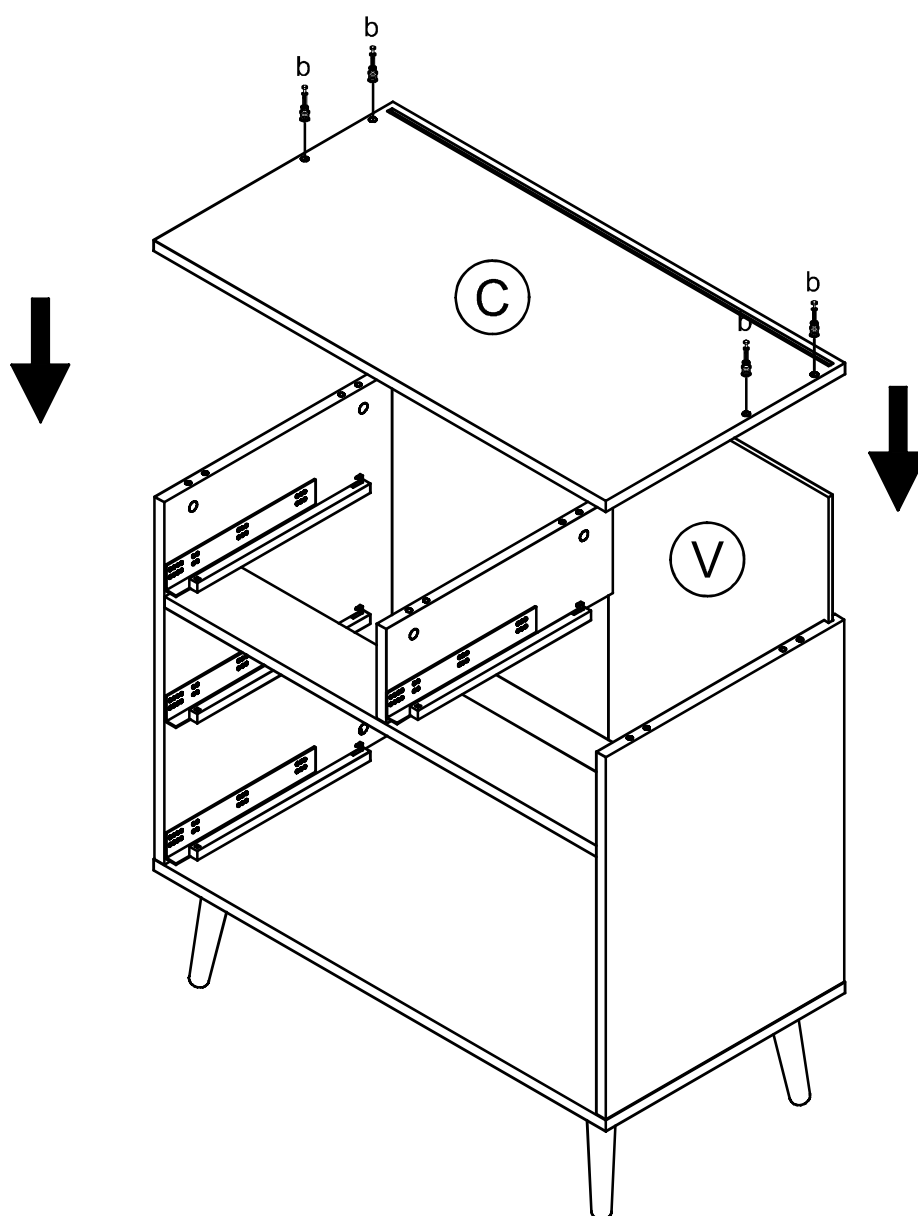
Parts



Hardware

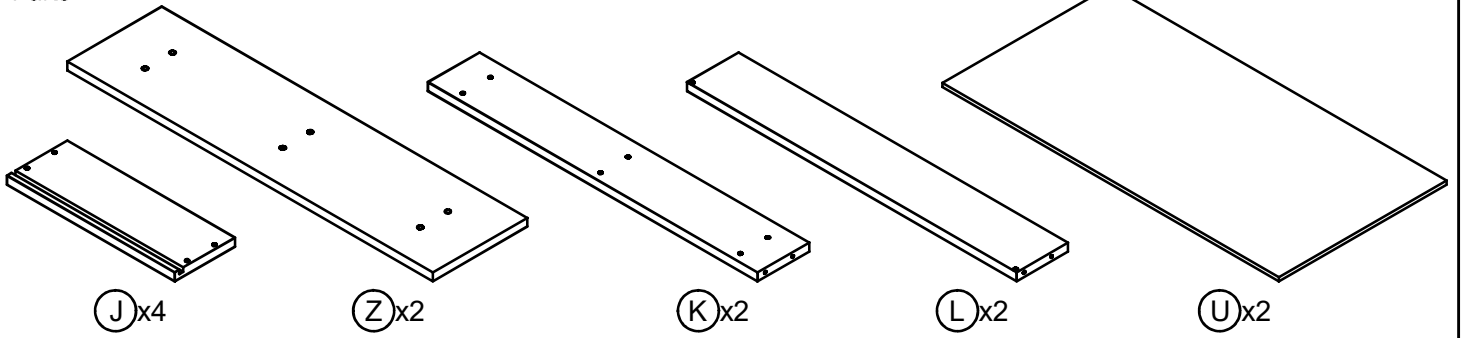


(b)x4

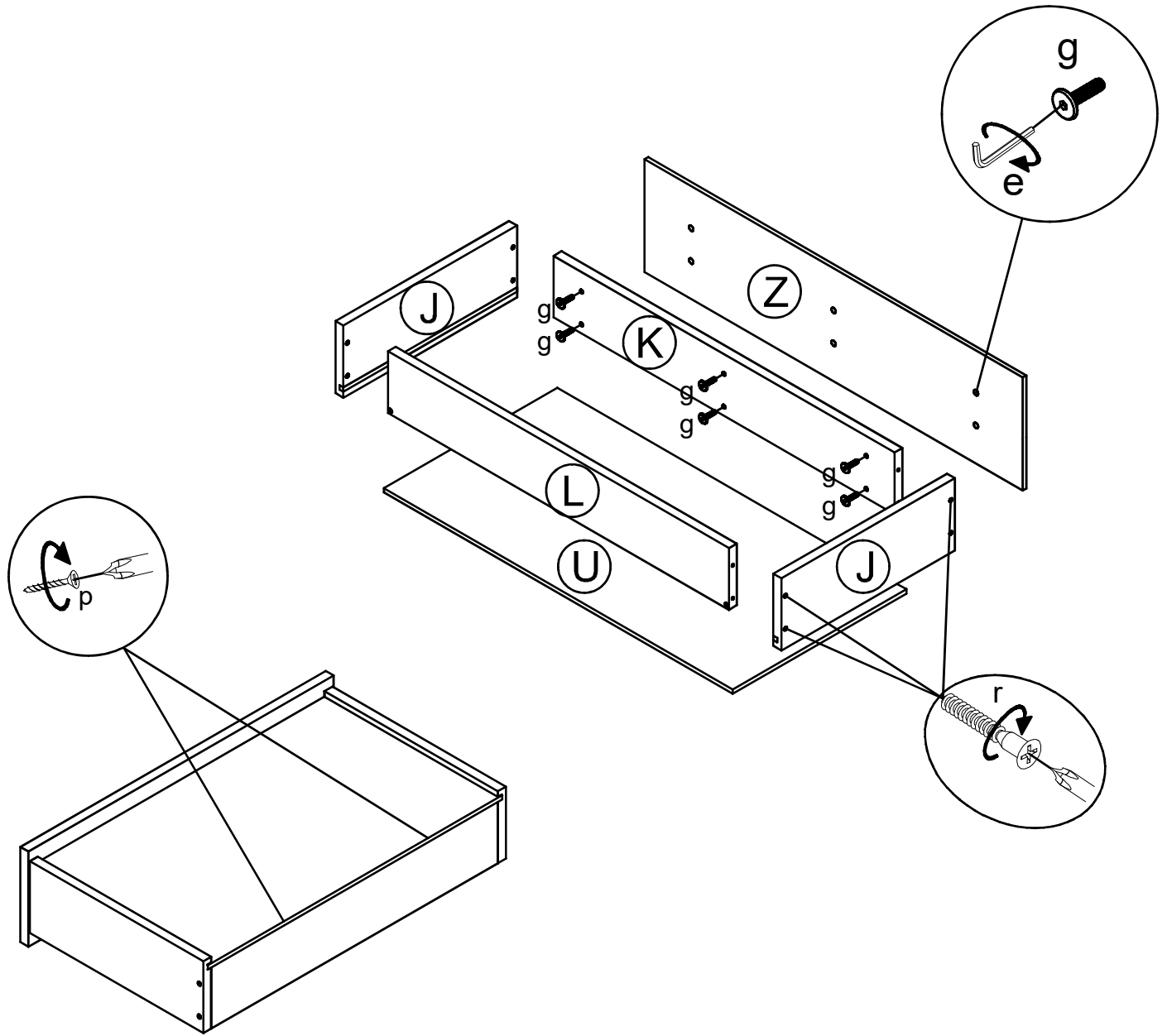
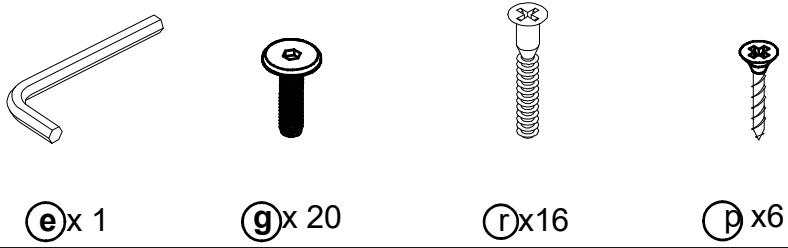


Step 6

Parts

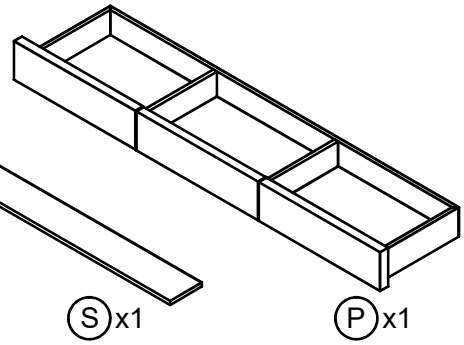
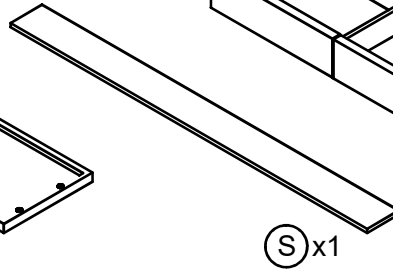
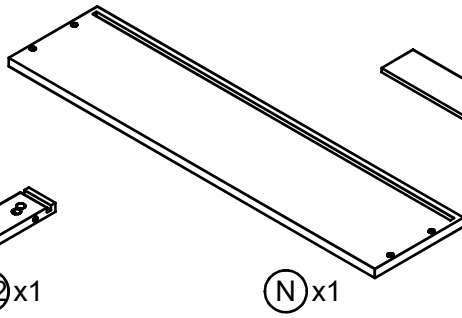
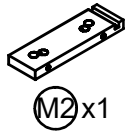
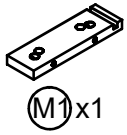


Hardware



Step 7

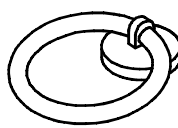
Parts



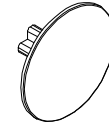
Hardware



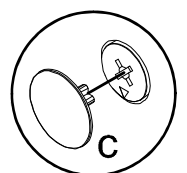
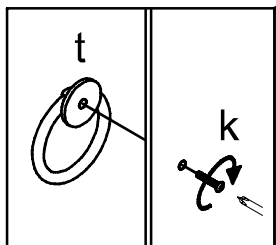
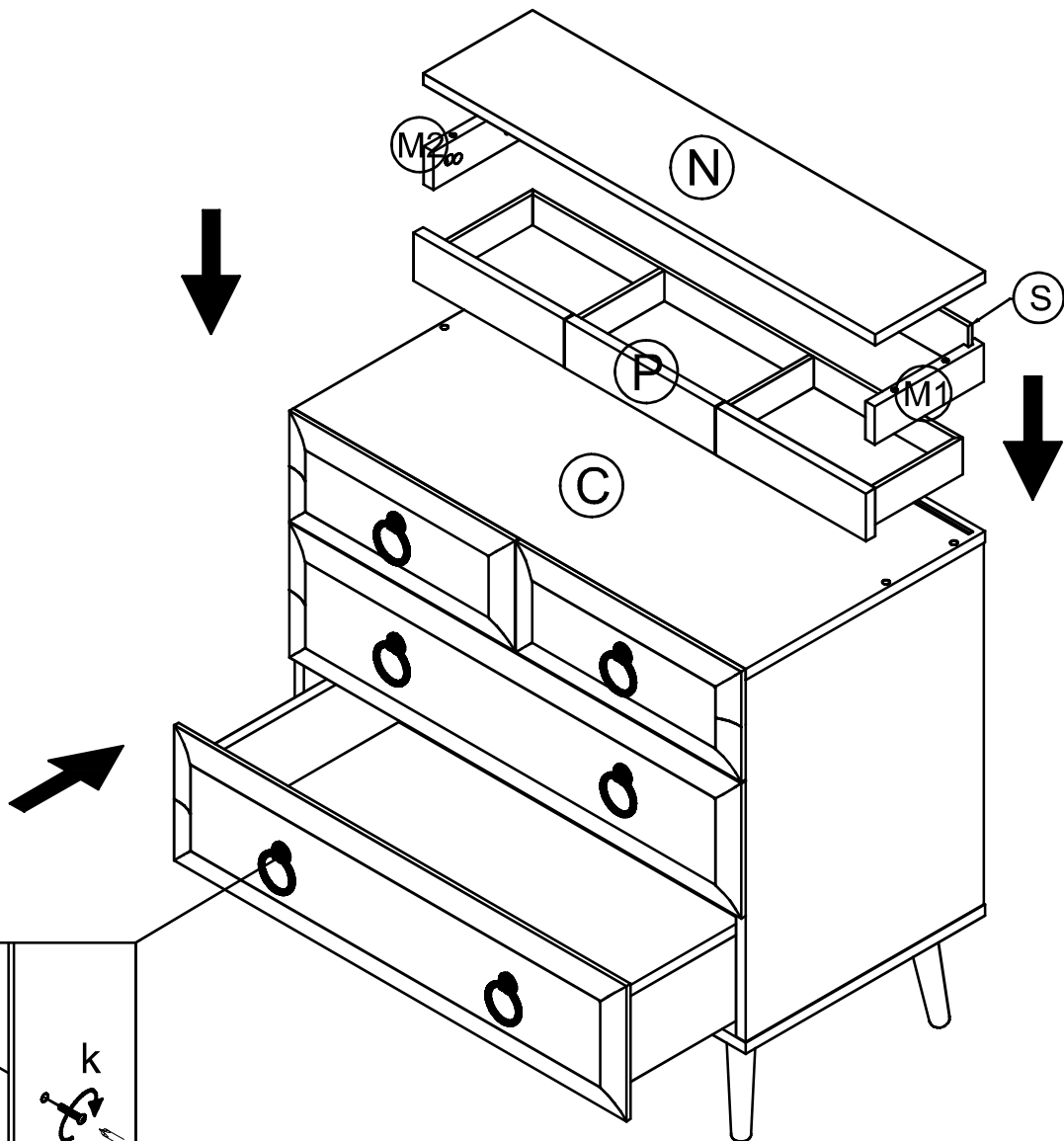
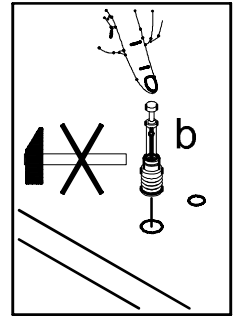
(k)x6



(t)x6

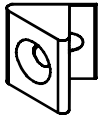


(ac)x32



Step 8

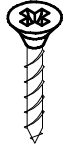
Hardware



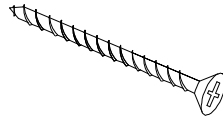
e x 8



n x 8



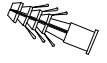
p x 1



y x 1



u x 1



v x 1

