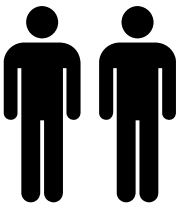


Remove the minifix shaft by turning it with your finger.

Item Description : Montessori Hut Study Desk
Model No : 64008
Dimension : W: 751 mm / D: 565 mm / H: 1100 mm
Total Weight : 28,71 kg

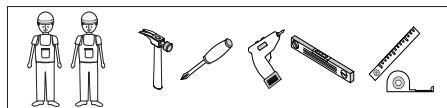
People Required



For Professional assembly only

Time Required: 1 hrs. 10 min.

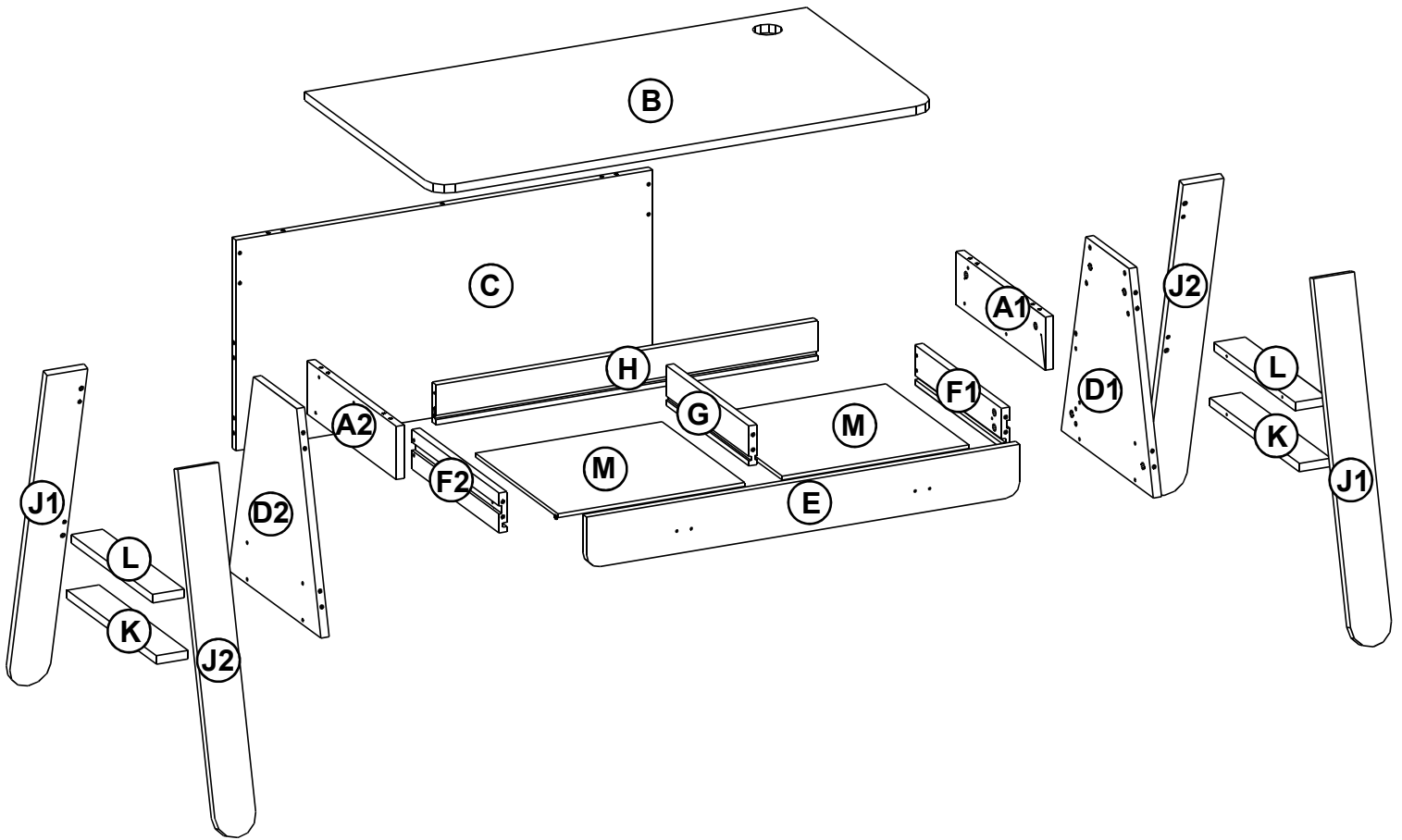
Tools Needed



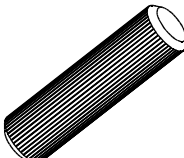
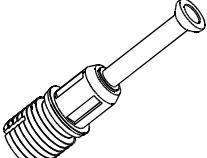



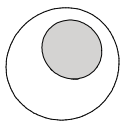

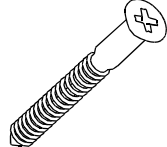


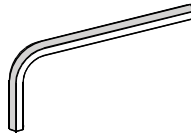
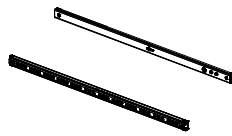
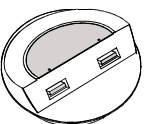
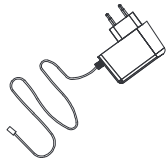
Vertical Assembly Only.

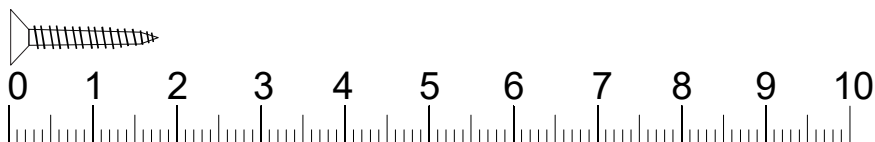
Please cover floor with Corrugated Board / paper to avoid scratches / damages to floor.

PART LIST

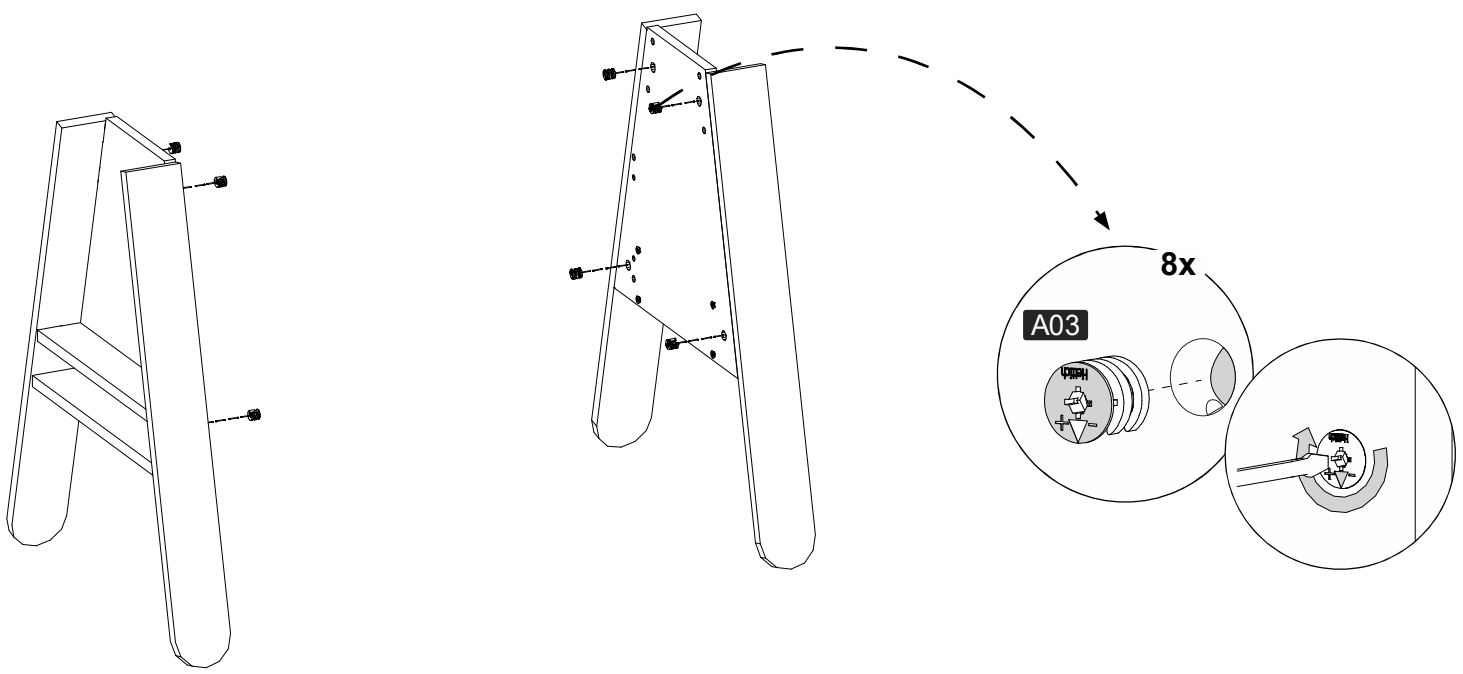
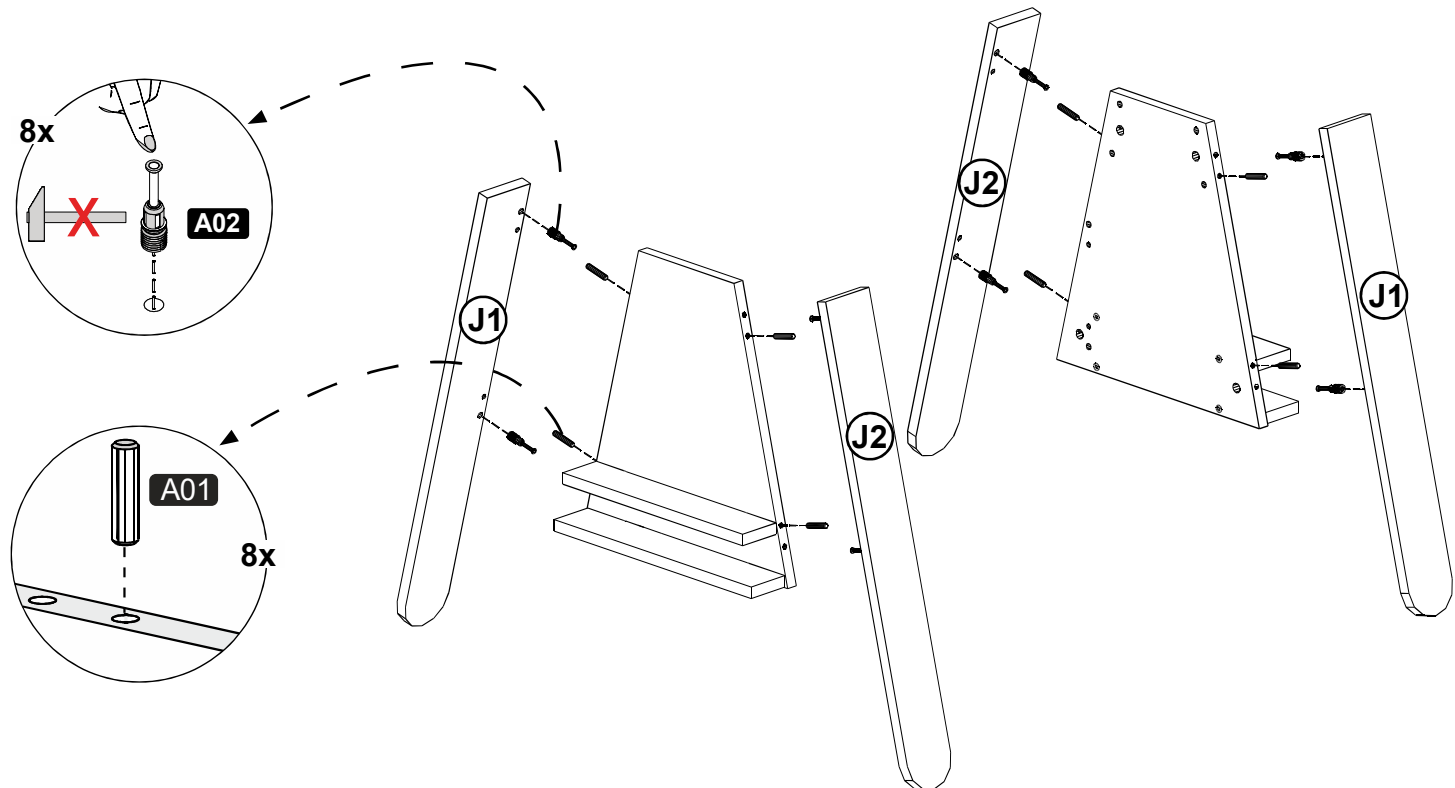
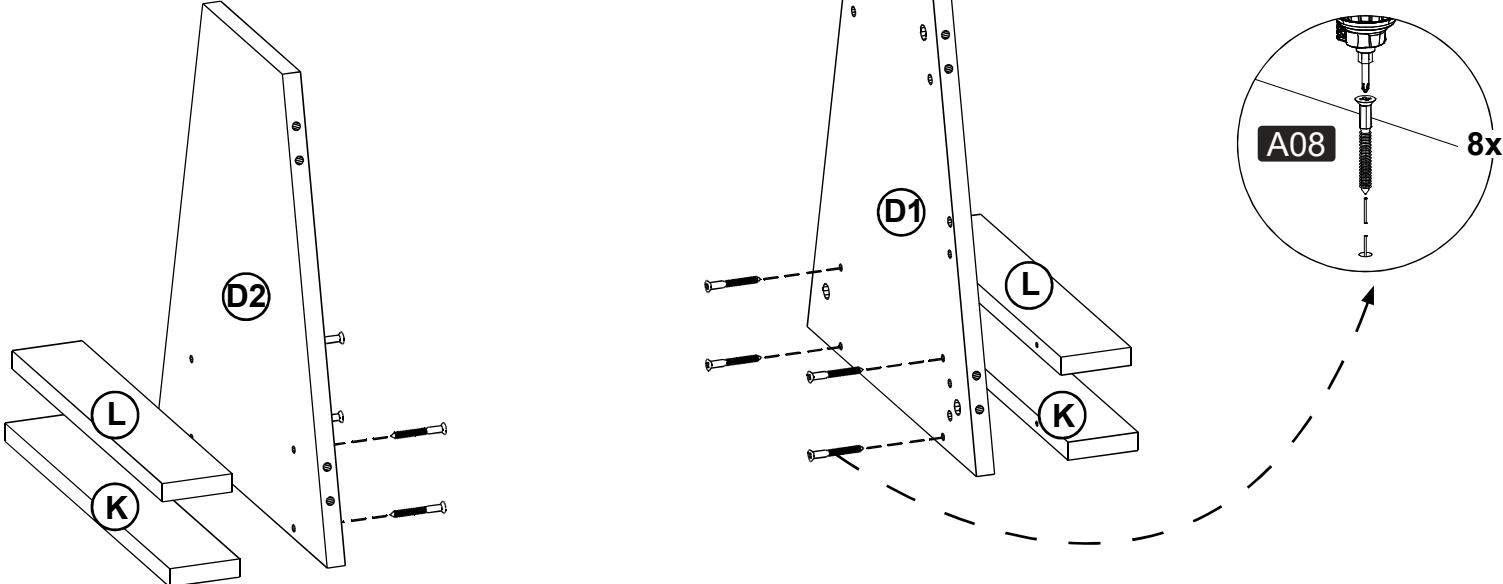


ACCESSORIES

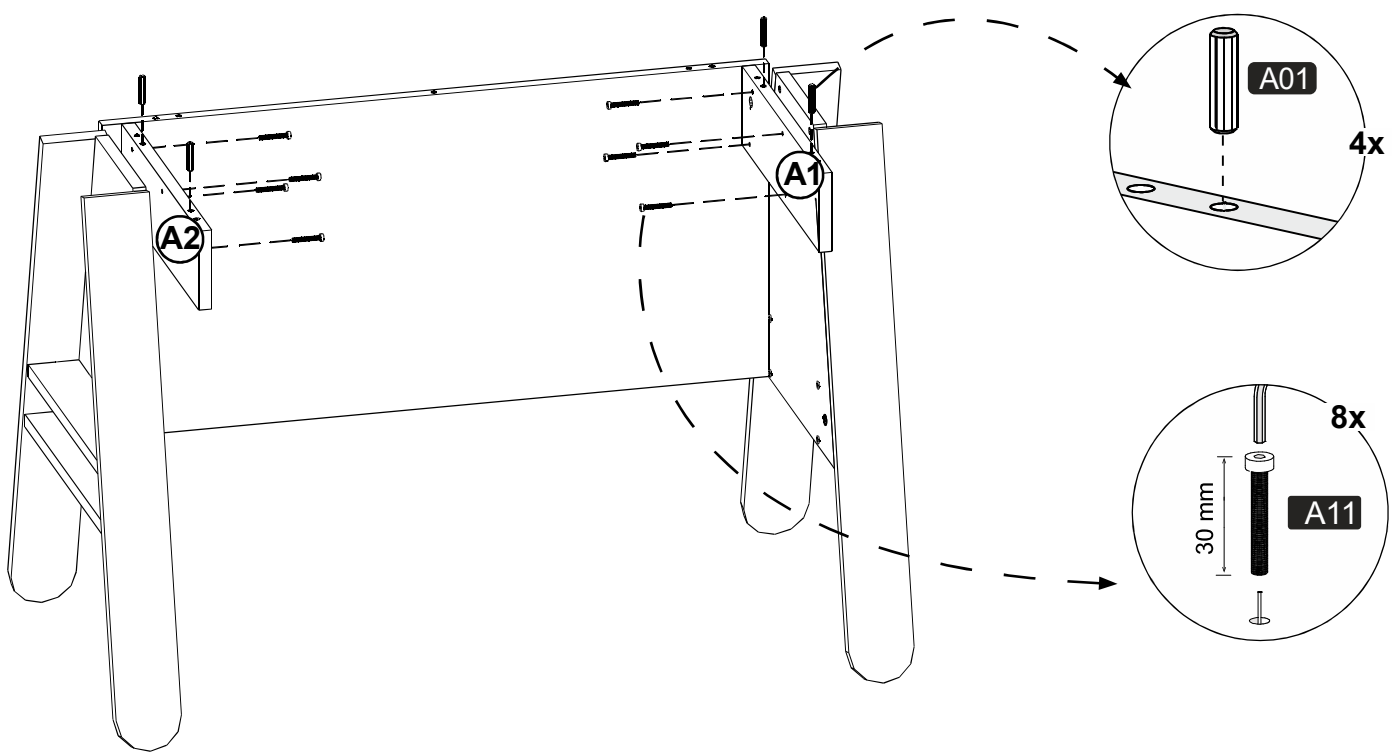
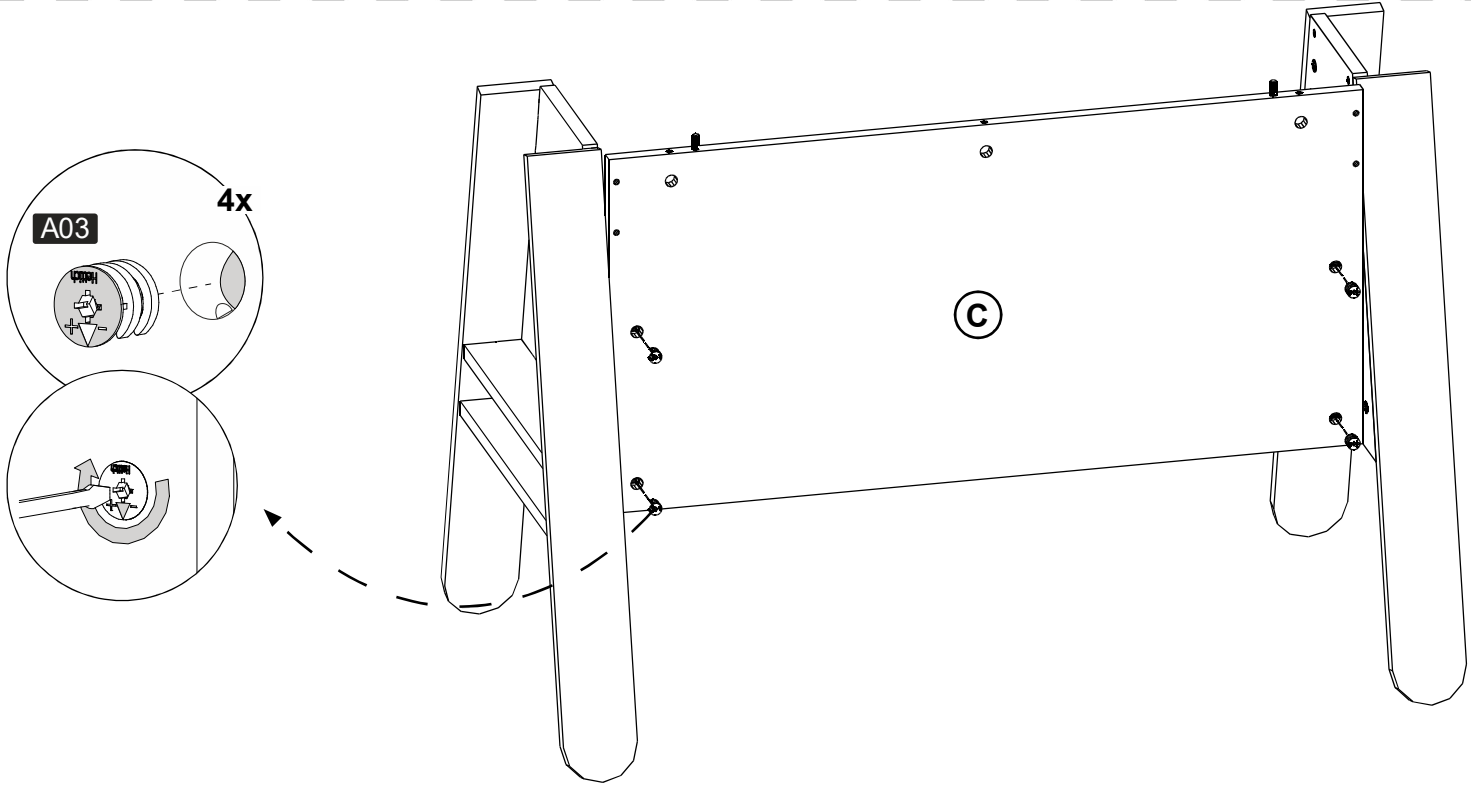
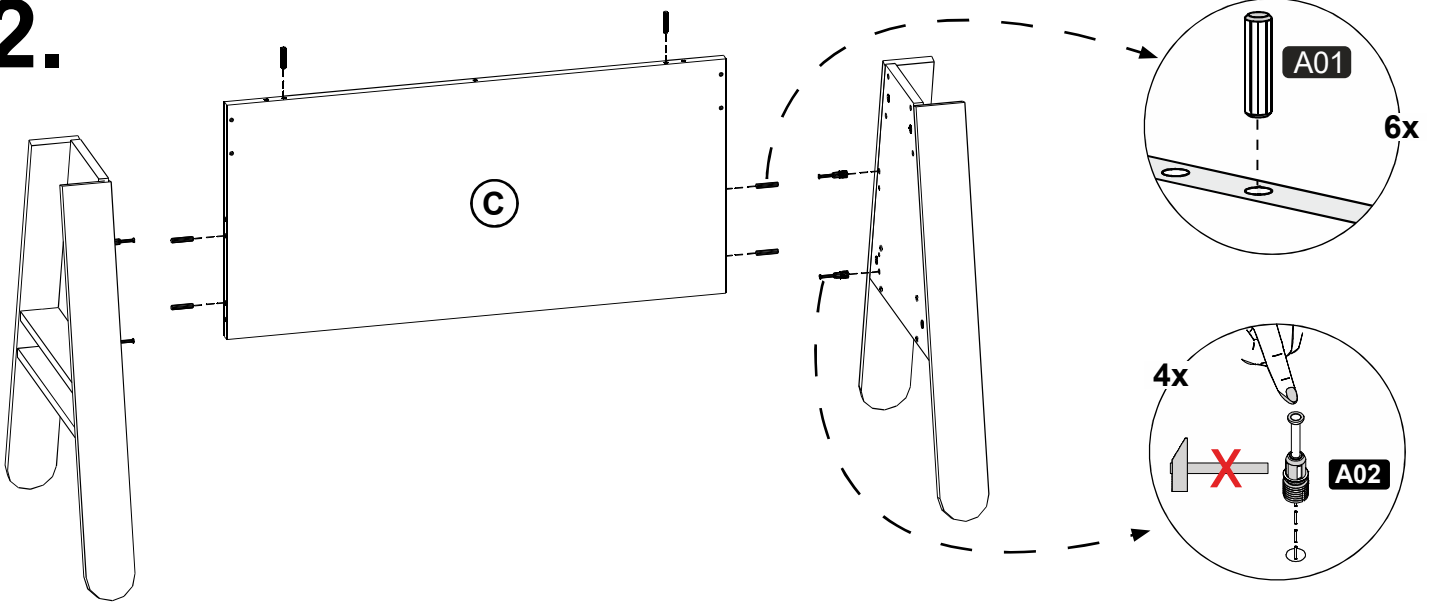
<p>A01</p>  <p>Dowel 18x</p>	<p>A02</p>  <p>Minifix Screw 25x</p>	<p>A03</p>  <p>Minifix Head 25x</p>	<p>A04</p>  <p>Tape 25x</p>	<p>A05</p>  <p>M4 x 14 Handle Screw 2x</p>	<p>A06</p>  <p>Handle Juno 32mm 2x</p>
<p>A07</p>  <p>M4 x 22 Handle Screw 4x</p>	<p>A08</p>  <p>6,3x50 Screw 18x</p>	<p>A09</p>  <p>3,5 x 16 YHB Screw 4x</p>	<p>A11</p>  <p>M6x30 Bolt 8x</p>	<p>A12</p>  <p>Allyan Key 1x</p>	<p>A13</p>  <p>Rail 17*406 1x</p>
<p>A14</p>  <p>USB Charger 1x</p>	<p>A15</p>  <p>12V 1 Amp Adapter 1x</p>				

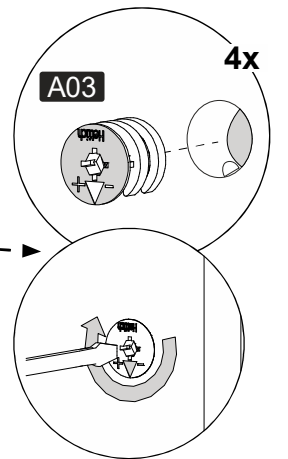
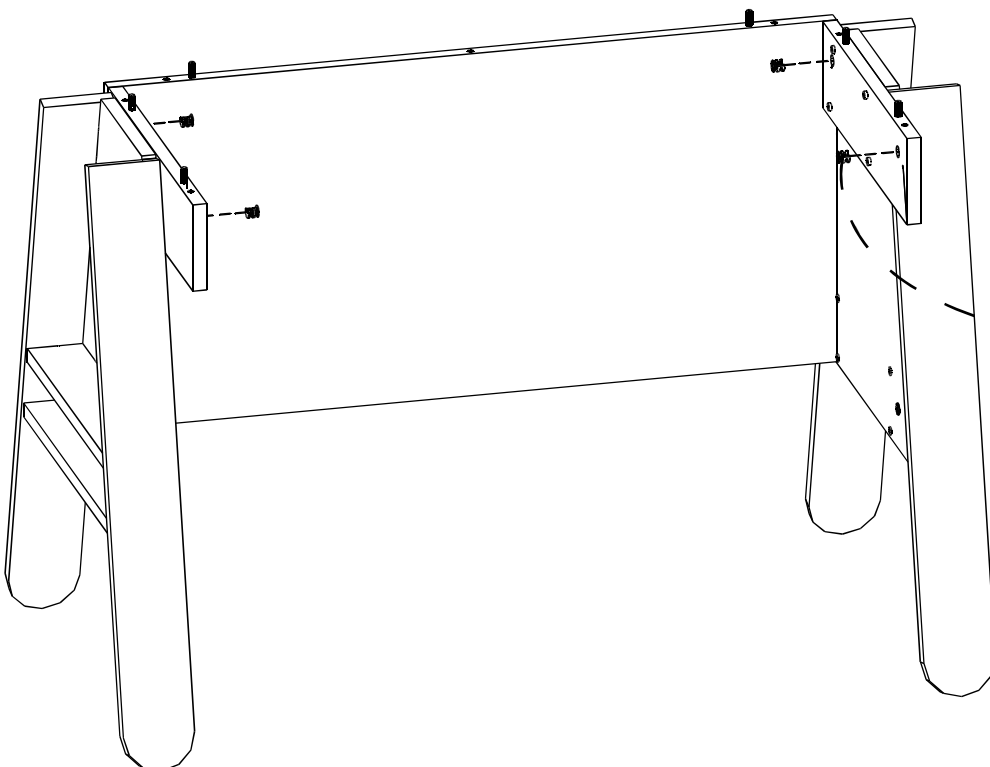
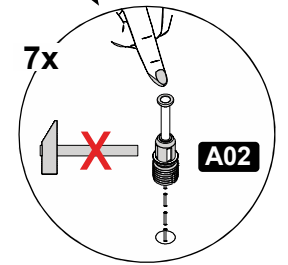
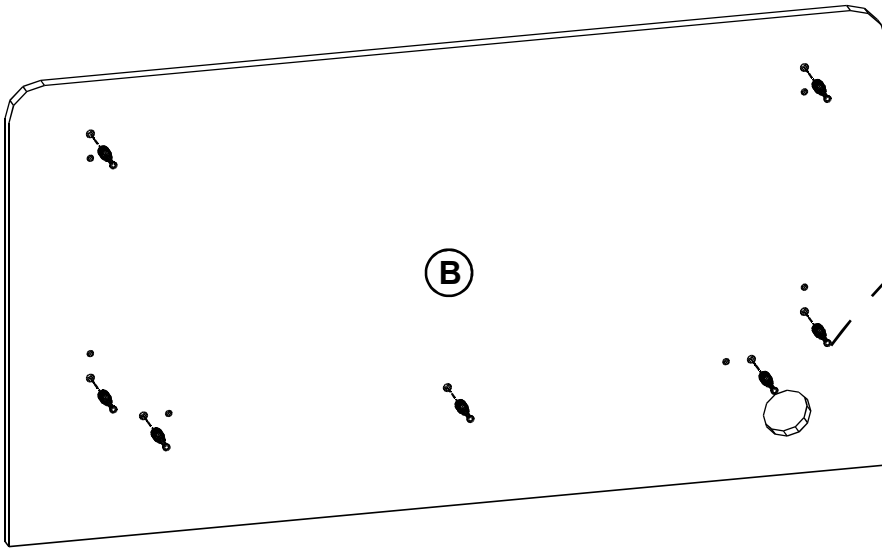
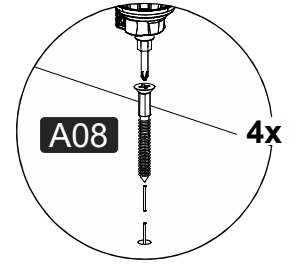
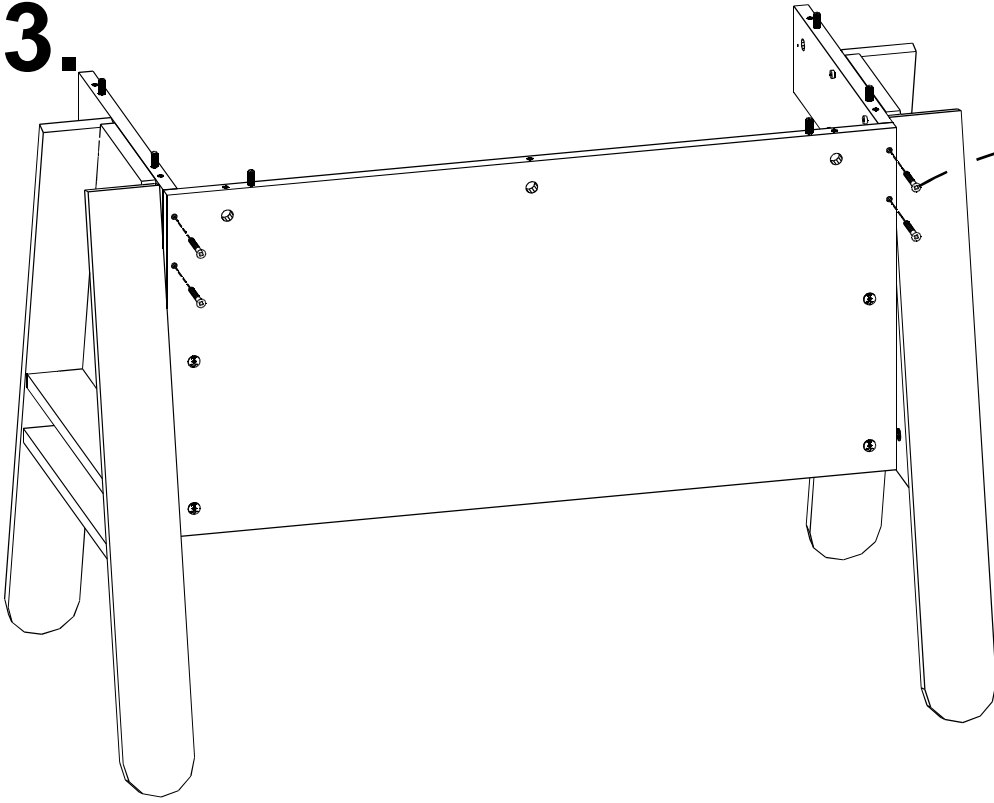


1.

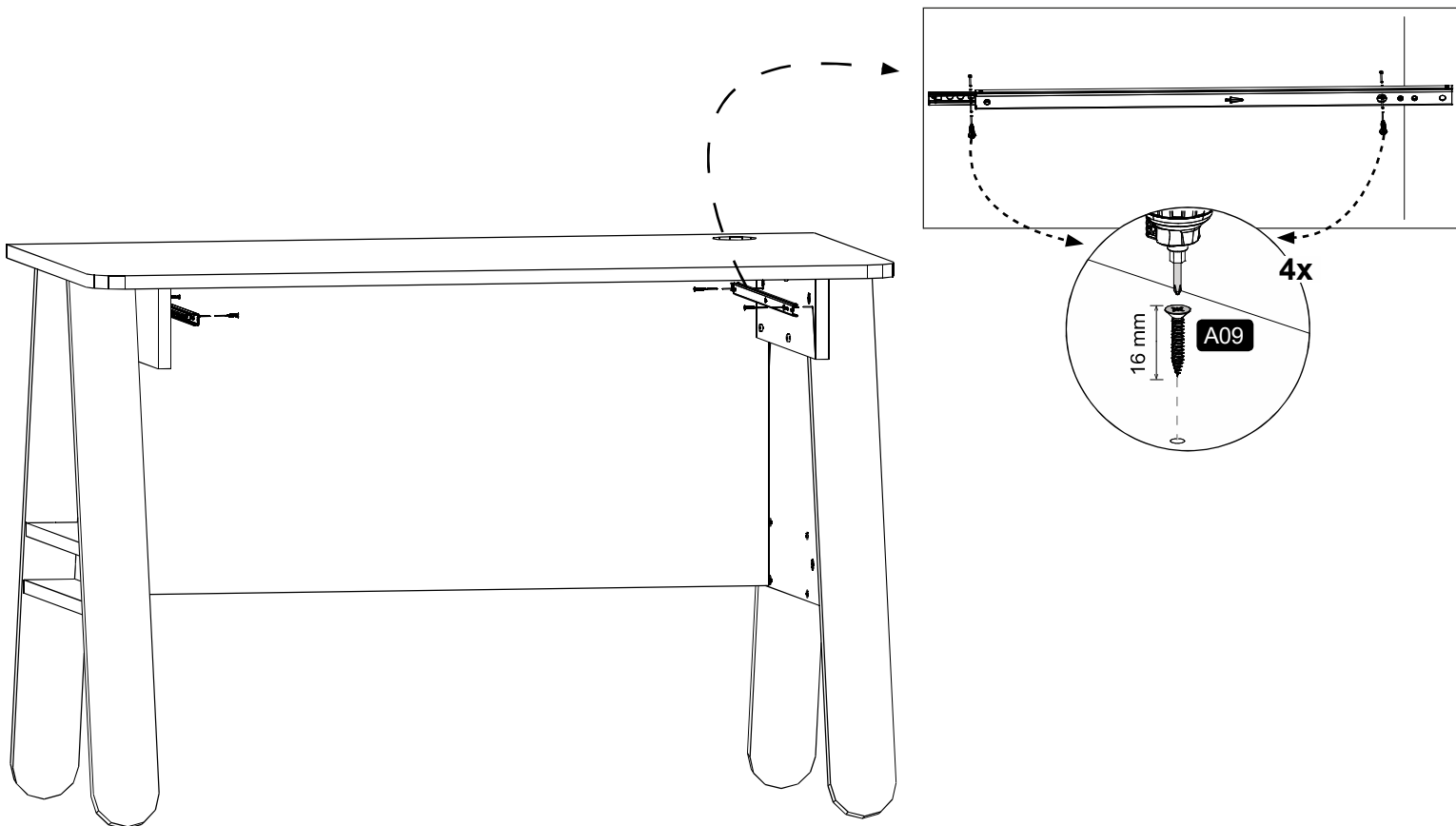
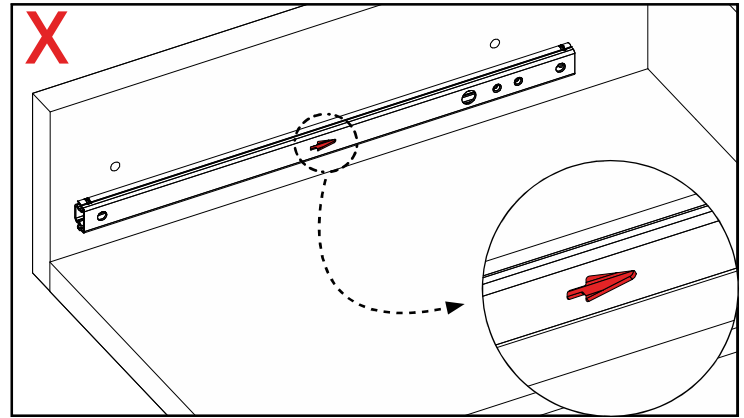
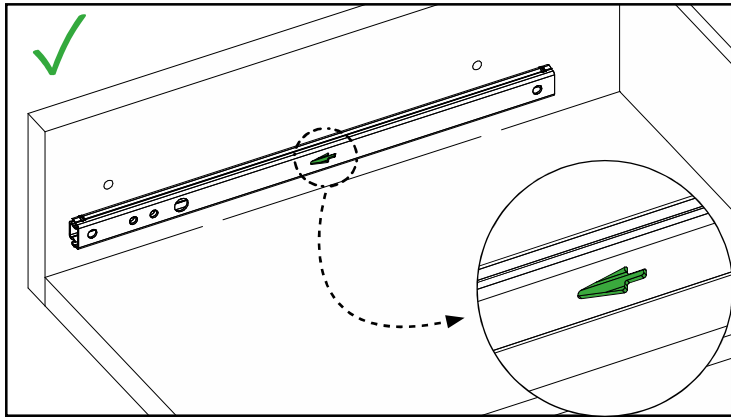
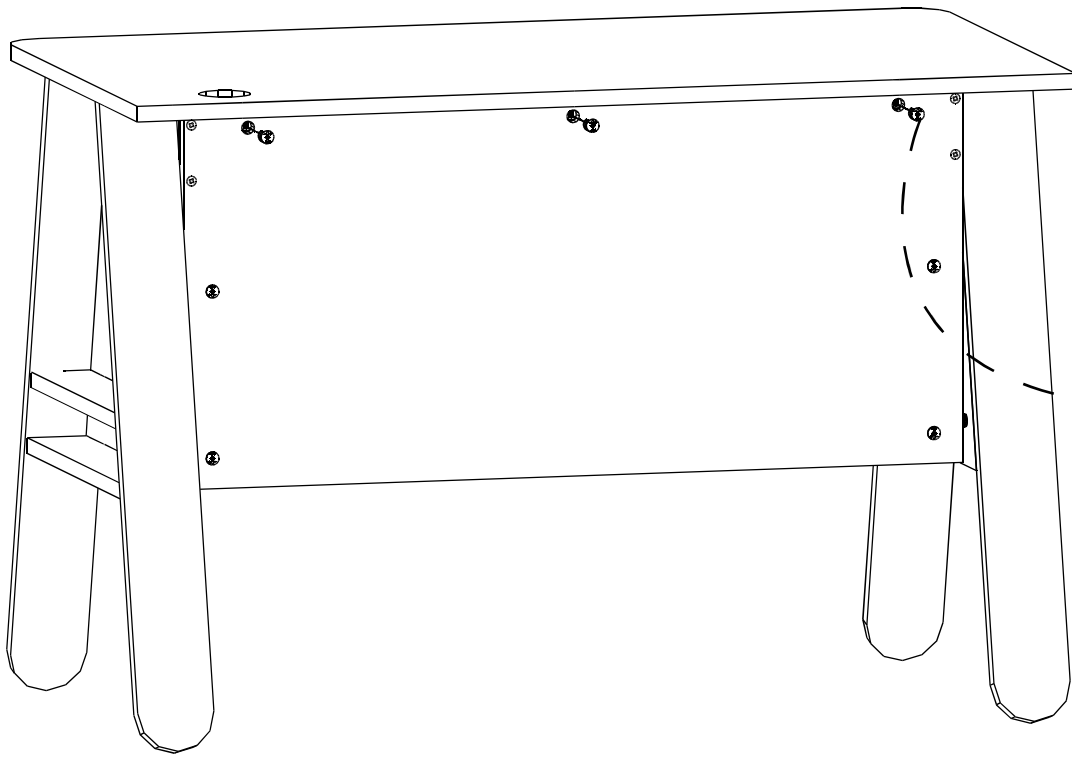


2.





4.



5.

