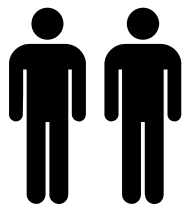


Remove the minifix shaft by turning it with your finger.

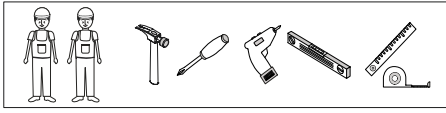
Item Description : *Montessori Hut S. Desk Unit*
Model No : 64008
Dimension : *W: 1102 mm / D: 118 mm / H: 358 mm*
Total Weight : 7,925 kg

People Required



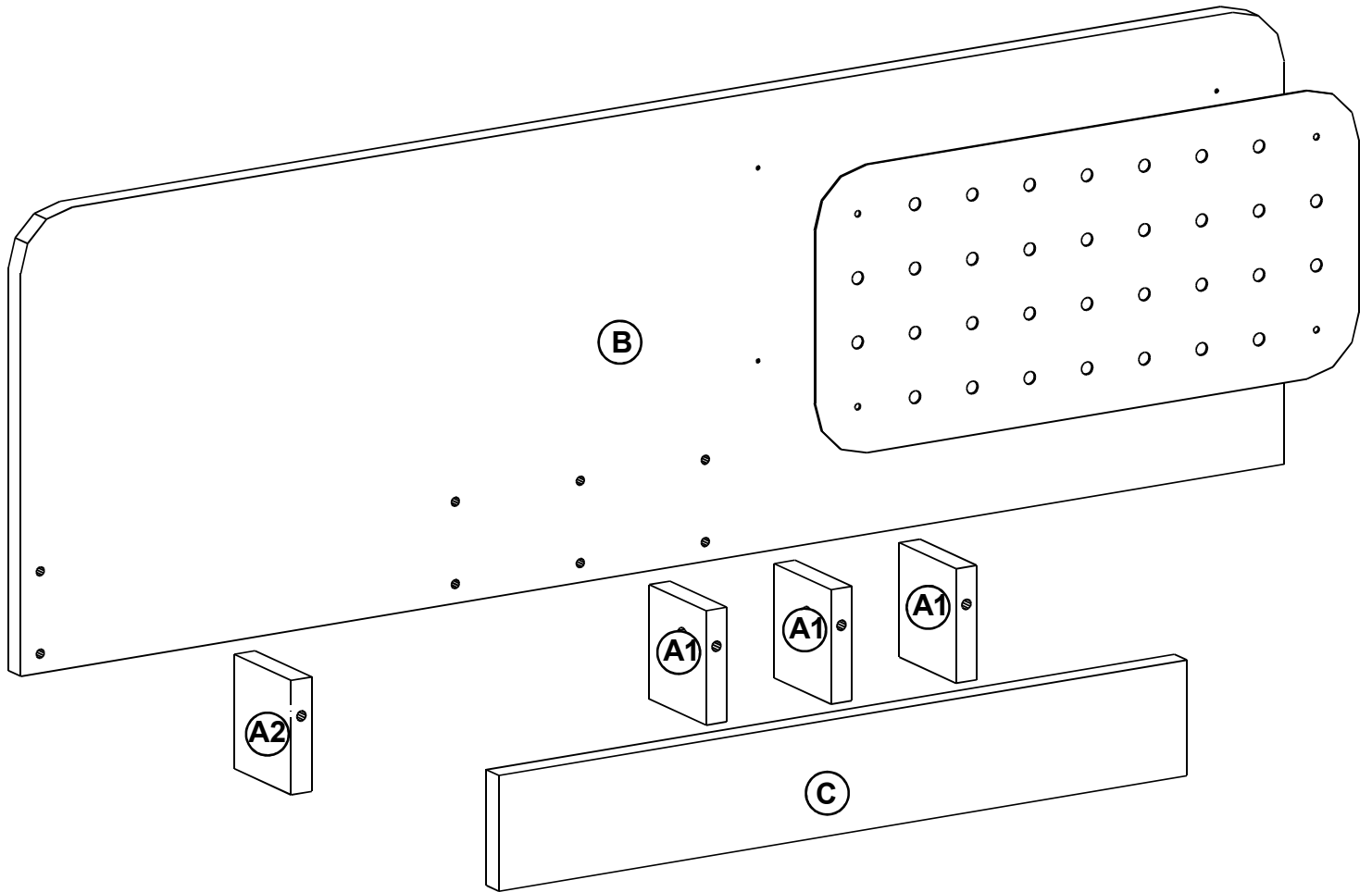
For Professional assembly only
Time Required: 1 hrs. 10 min.

Tools Needed

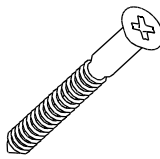
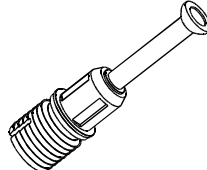




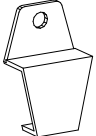
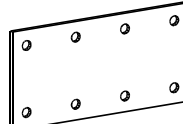


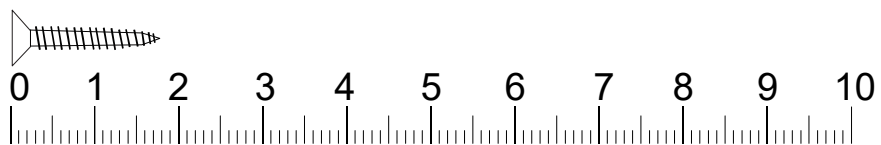
Vertical Assembly Only.
Please cover floor with Corrugated Board / paper to avoid scratches / damages to floor.

PART LIST



ACCESSORIES

<p>A01</p>  <p>6,3x50 Screw 8x</p>	<p>A02</p>  <p>Minifix Screw 4x</p>	<p>A03</p>  <p>Minifix Head 4x</p>	<p>A04</p>  <p>Tape 4x</p>	<p>A05</p>  <p>Screw Closing 4x</p>	<p>A06</p>  <p>3,5 x 16 YHB Screw 21x</p>
<p>A07</p>  <p>Side Connection Apparatus 18mm 1x</p>	<p>A08</p>  <p>Straight Sheet Metal 100x50mm 2x</p>				



1.

