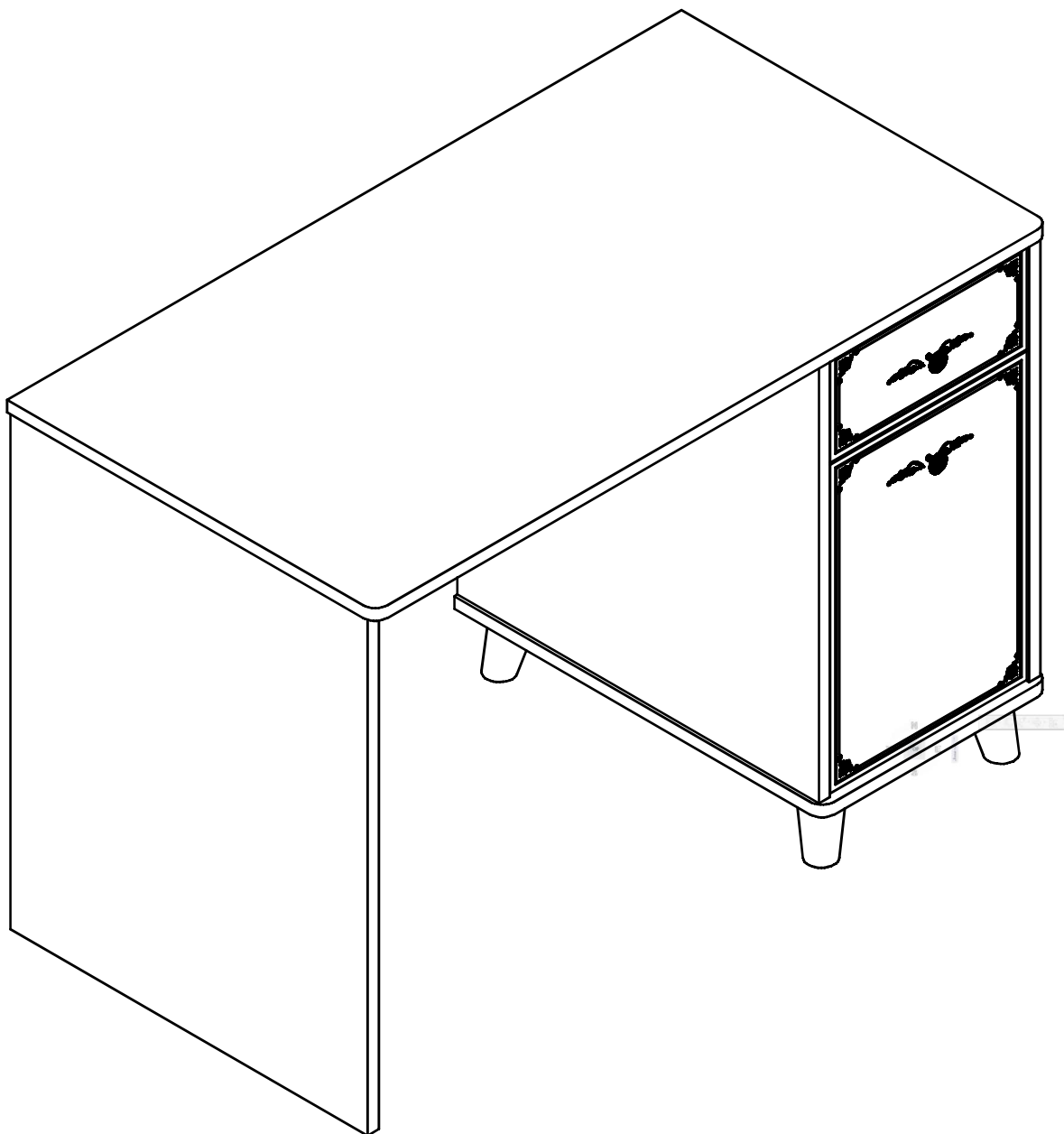
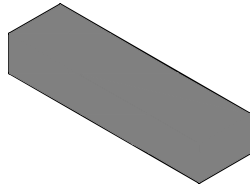
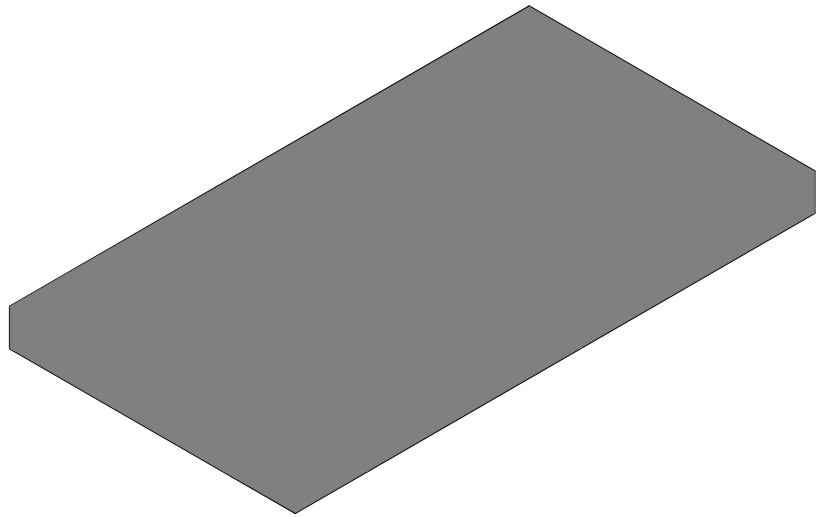


152 01 03 20603





2 / 2



2 / 1

P2/2



150 10 05 294
x 17



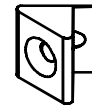
150 10 05 504
x 17



150 10 05 305
x 17



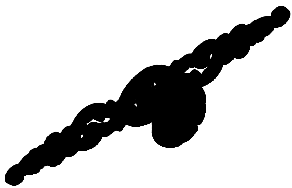
150 10 05 364
x 12



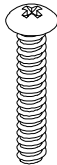
150 10 05 409
x 4



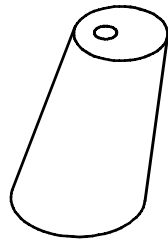
150 10 05 237
x 9
(3,5x16)



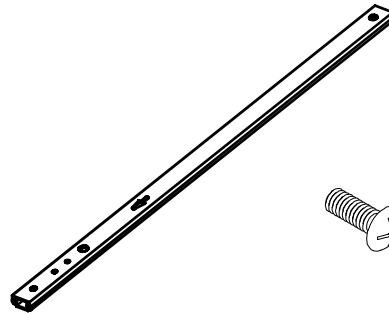
150 10 05 972
x 2



150 10 05 173
x 2
(M4x25)



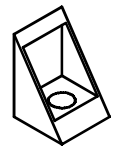
150 10 05 972
x 4



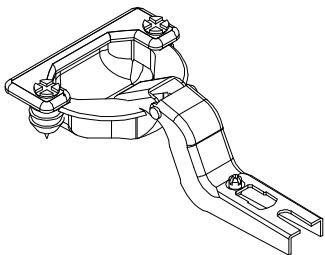
150 10 05 002
x 2



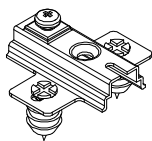
150 10 05 171
x 2
(M4x14)



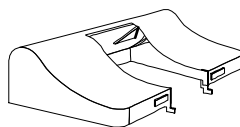
150 10 05 702
x 1



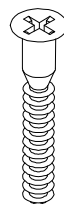
150 10 05 093
x 2



150 10 05 059
x 2



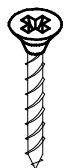
150 10 05 051
x 1



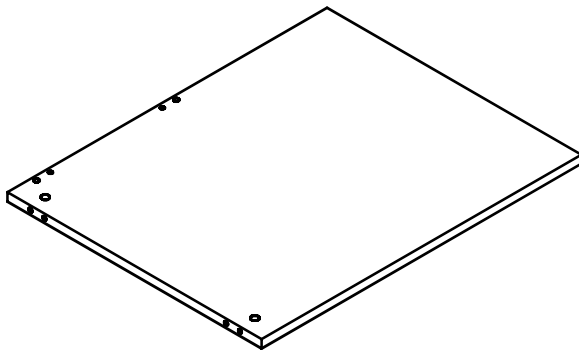
150 10 05 227
x 6



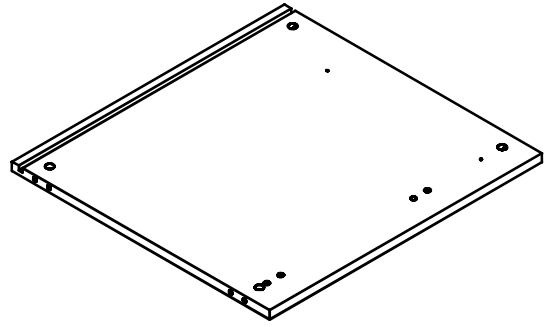
150 10 05 251
x 16
(4x18)



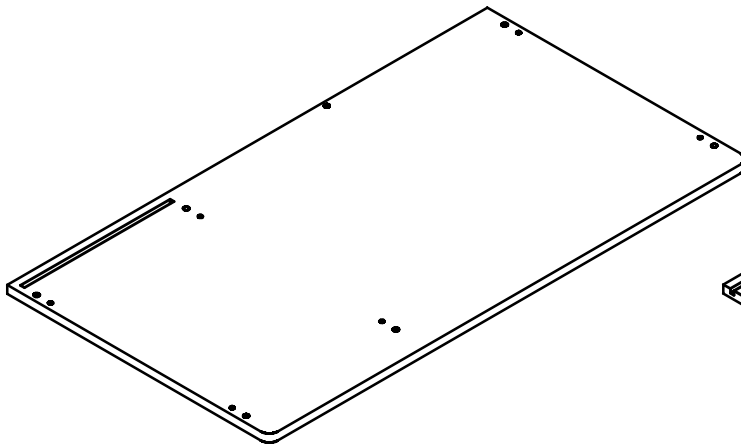
150 10 05 231
x 2
(3,5x25)



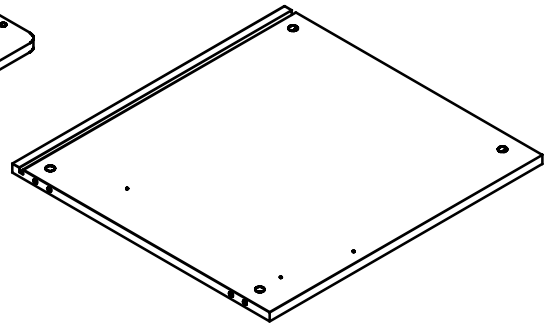
151 01 03 20603 0002
x 1



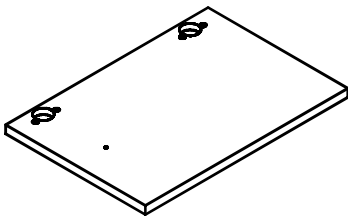
151 01 03 20603 0001
x 1



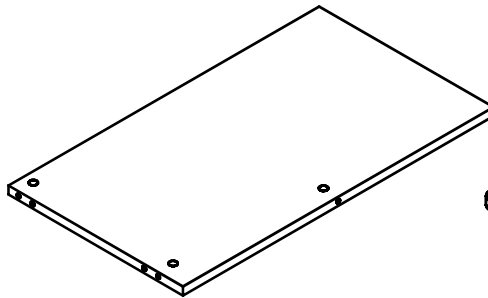
151 01 03 20603 0004
x 1



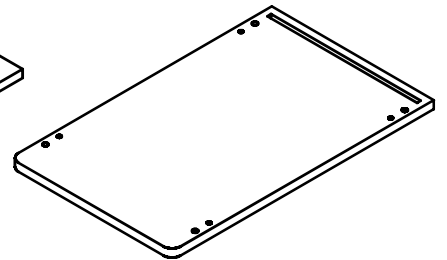
151 01 03 20603 0003
x 1



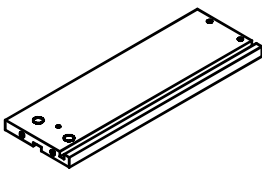
151 01 03 20603 0007
x 1



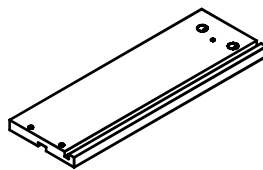
151 01 03 20603 0006
x 1



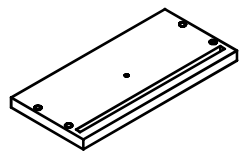
151 01 03 20603 0005
x 1



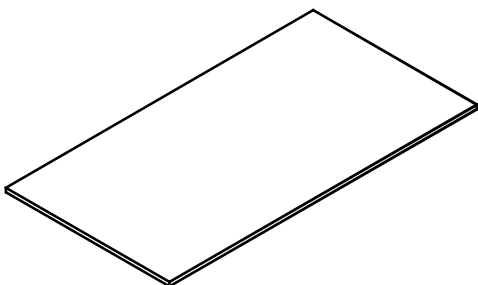
151 01 03 20603 0010
x 1



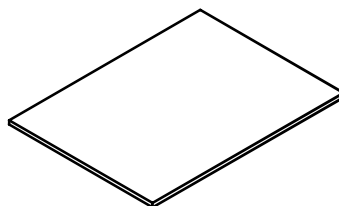
151 01 03 20603 0009
x 1



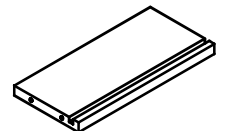
151 01 03 20603 0008
x 1



151 01 03 20603 0013
x 1

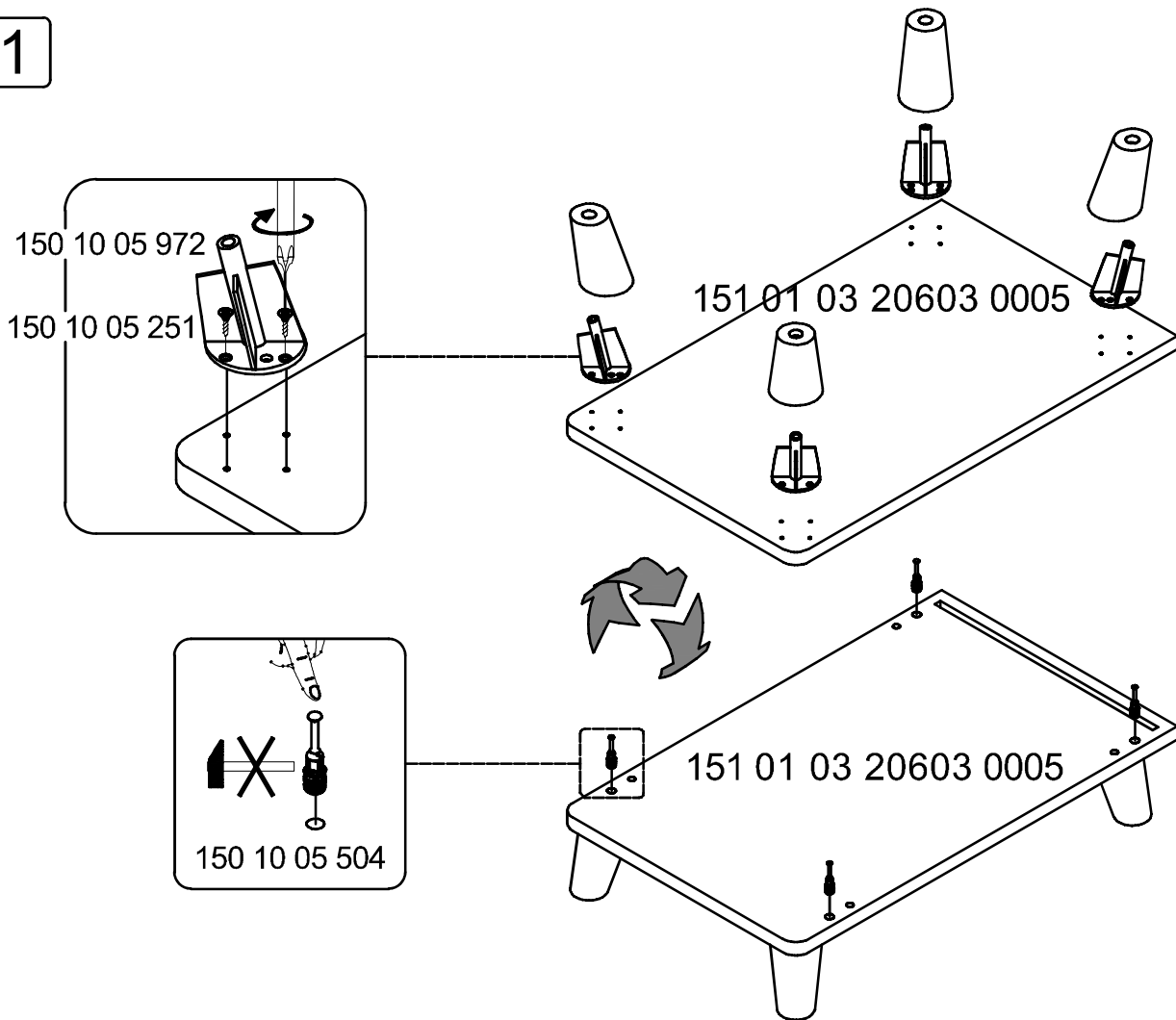


151 01 03 20603 0012
x 1

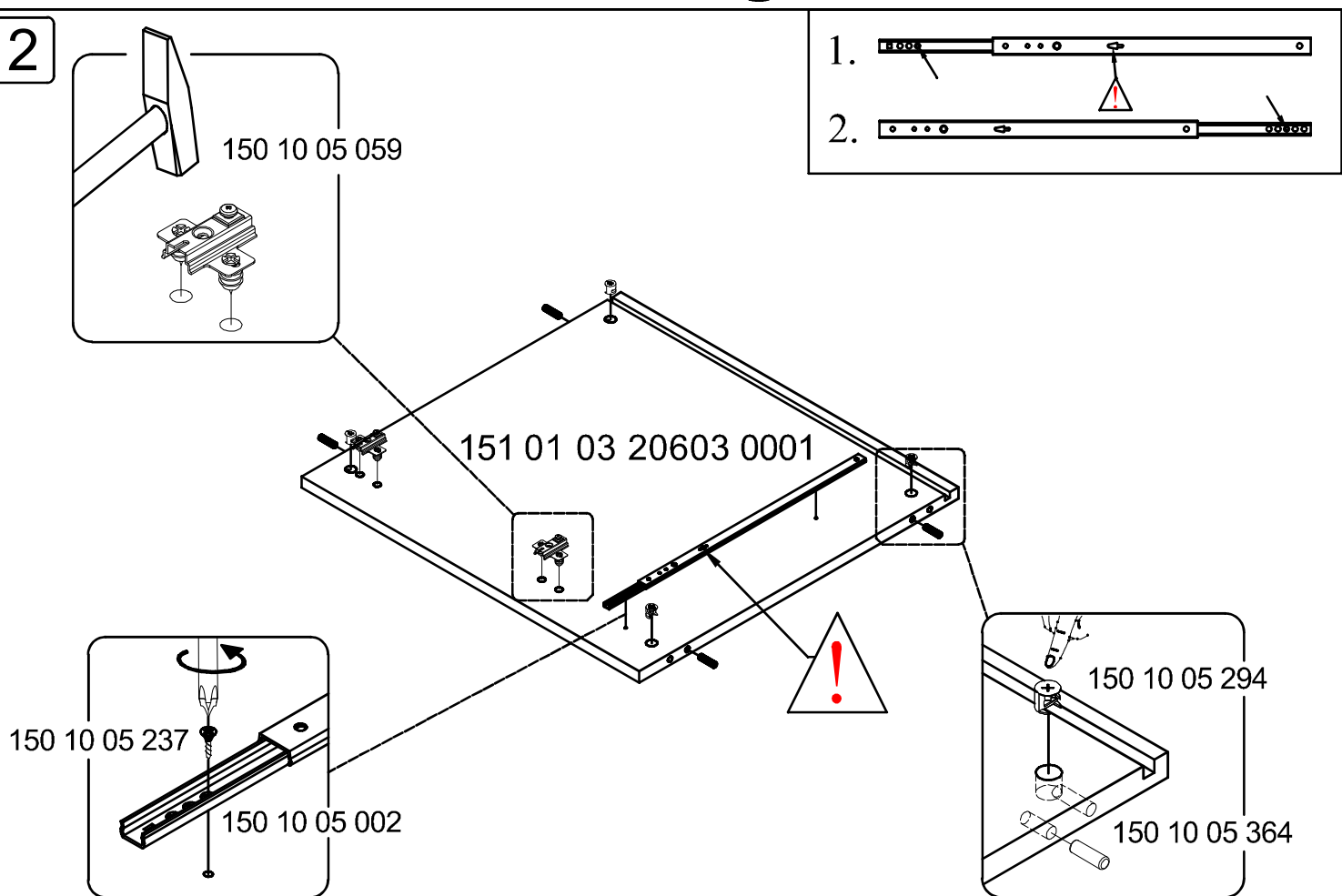


151 01 03 20603 0011
x 1

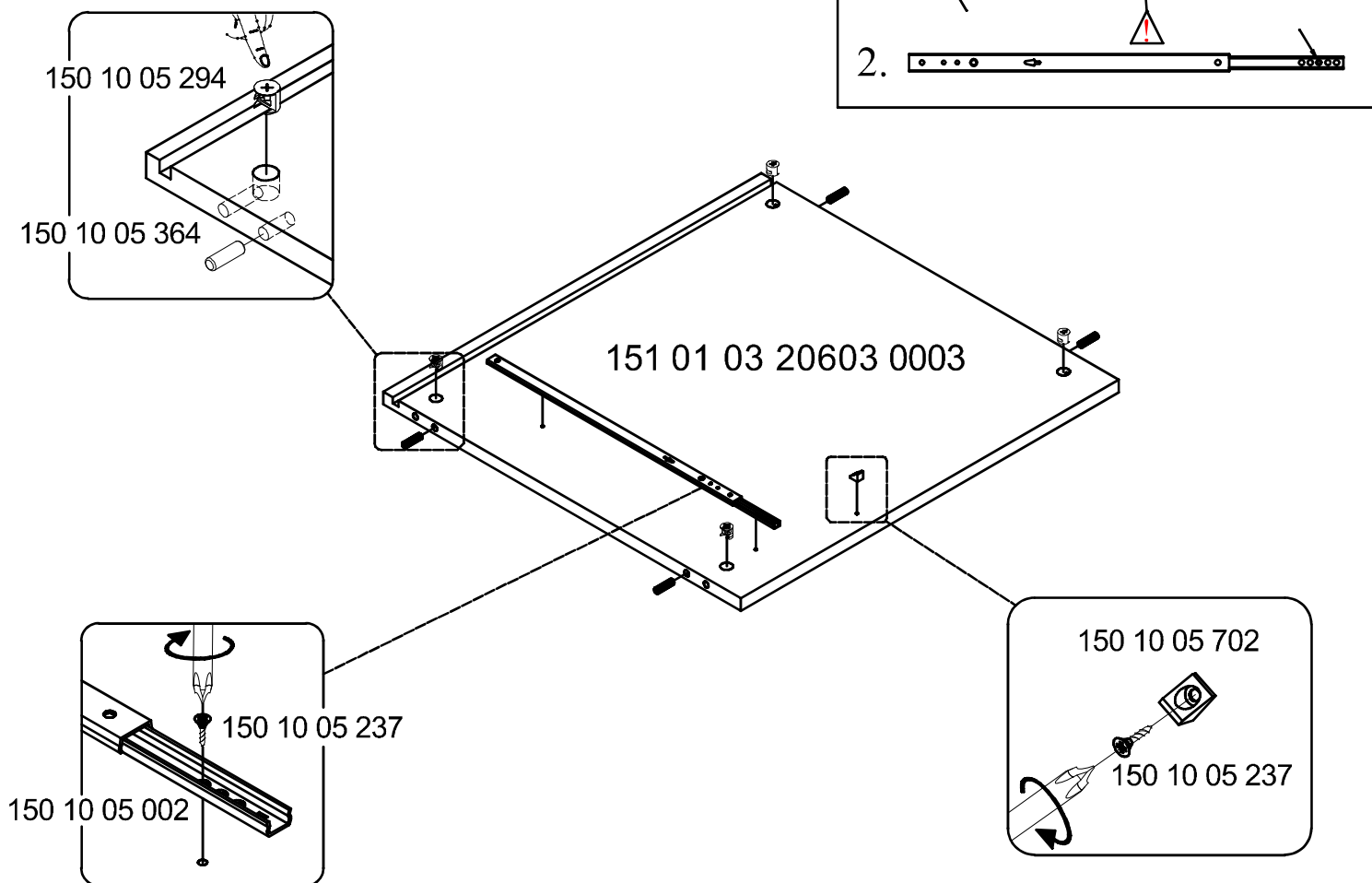
1



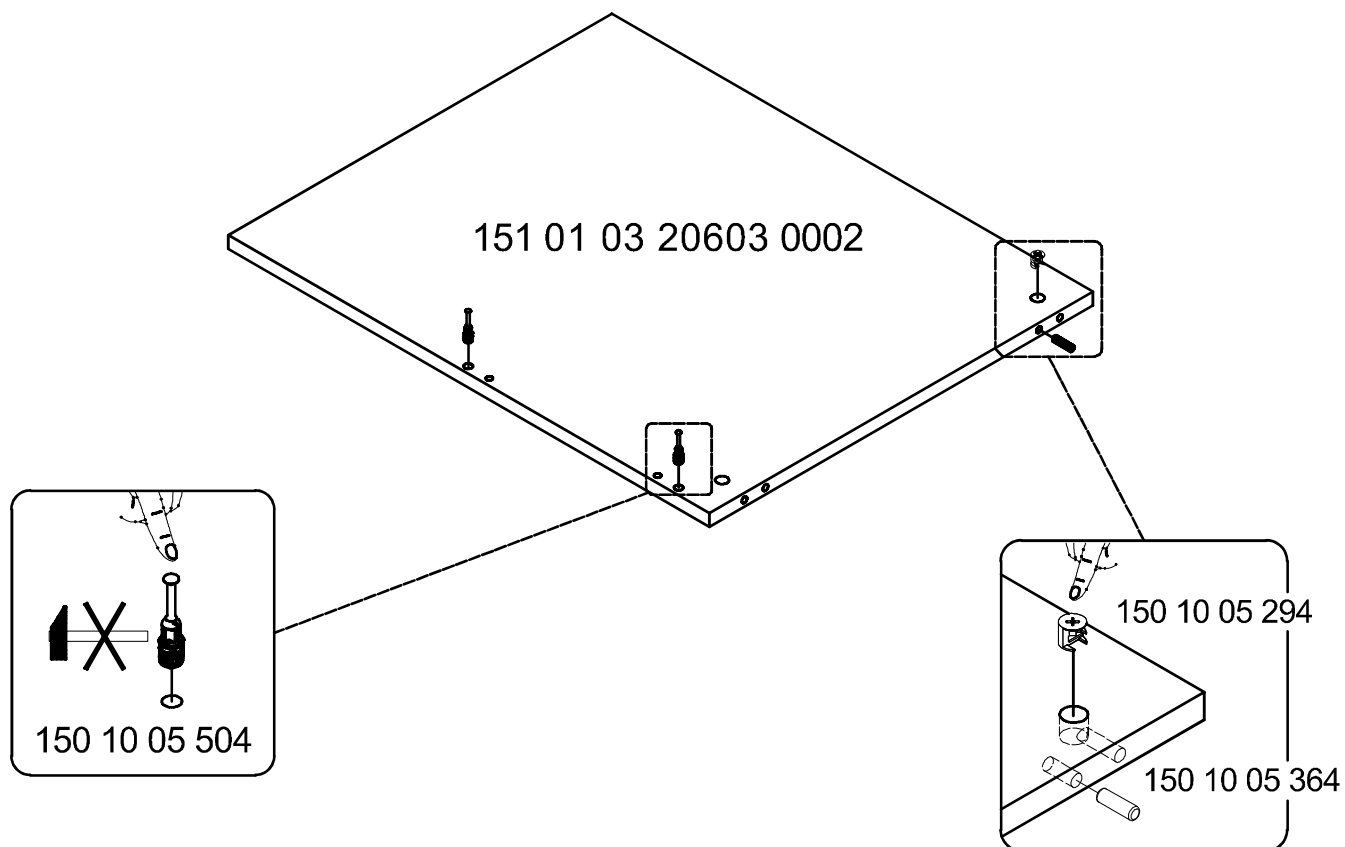
2



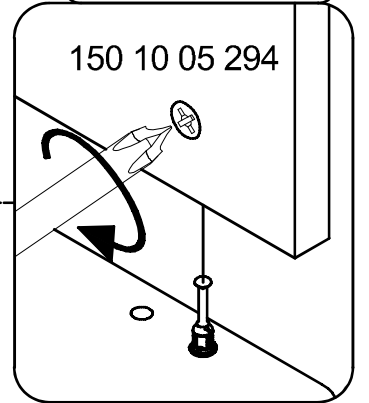
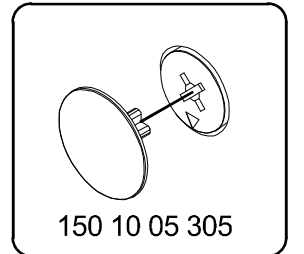
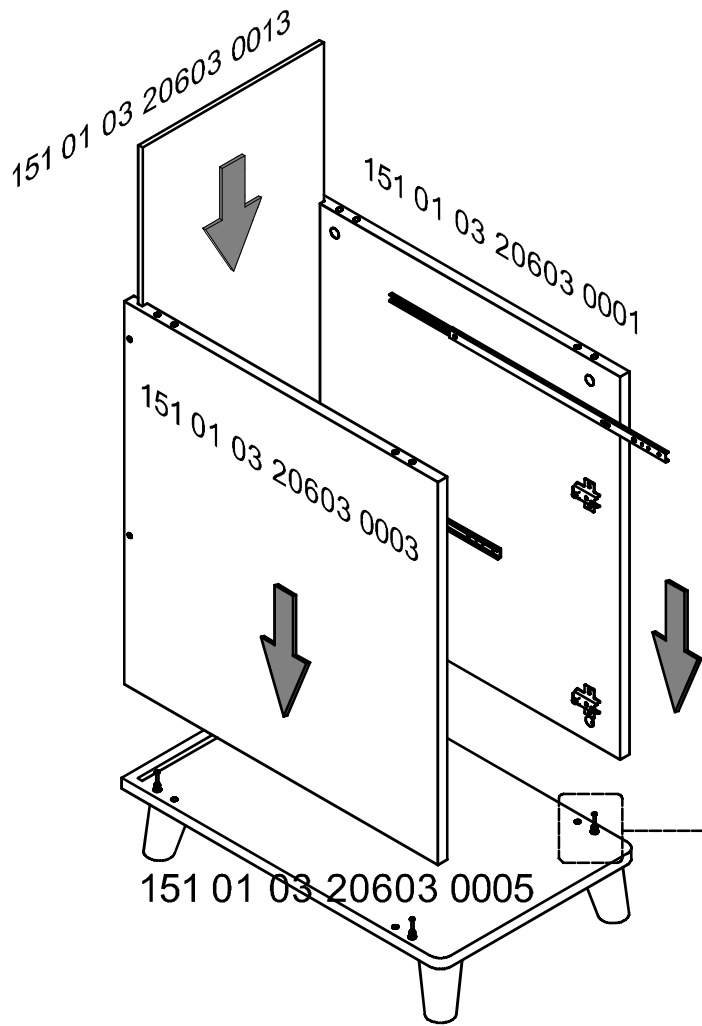
3



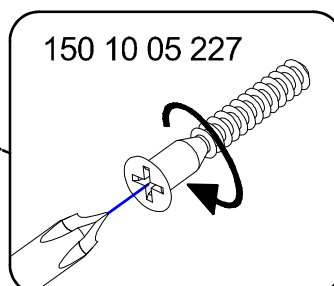
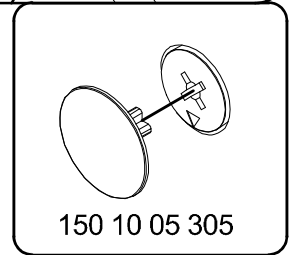
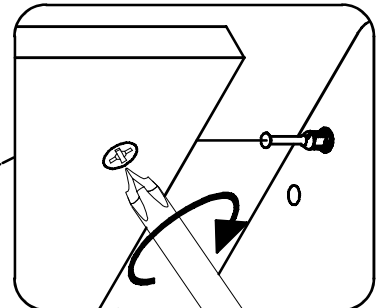
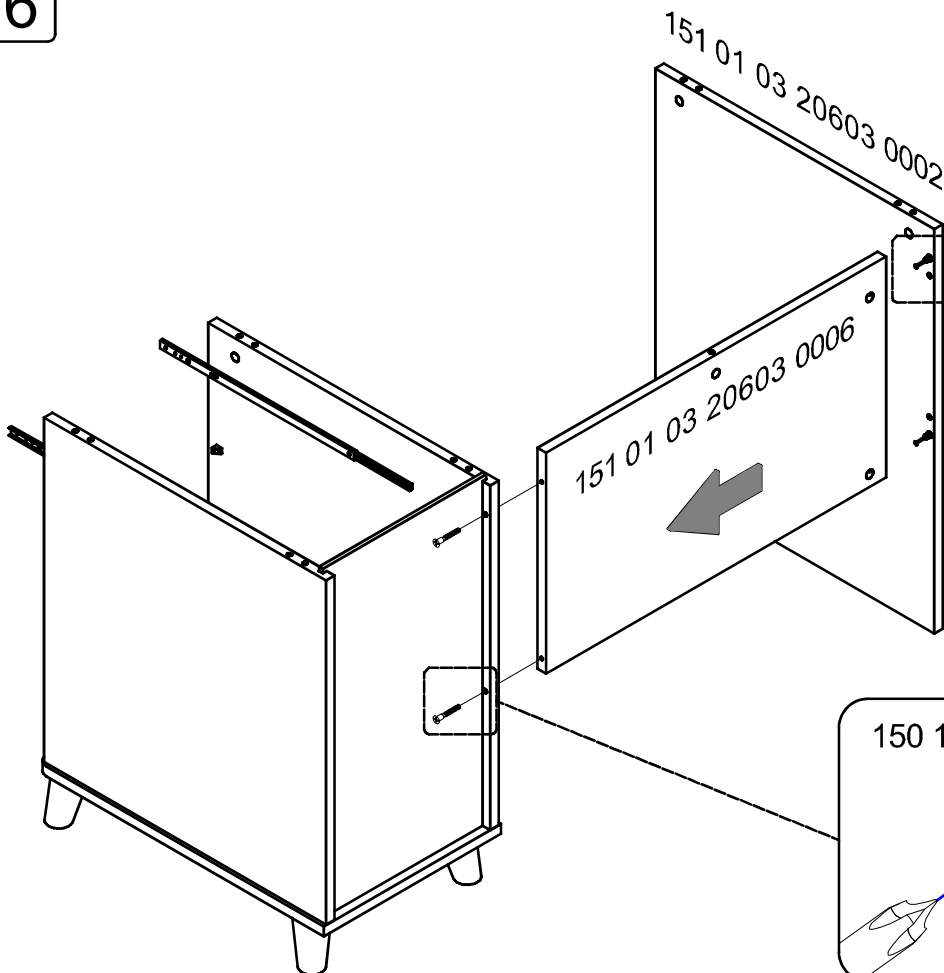
4



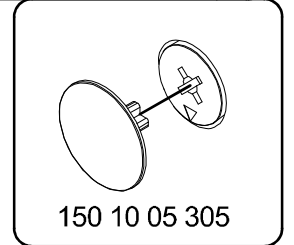
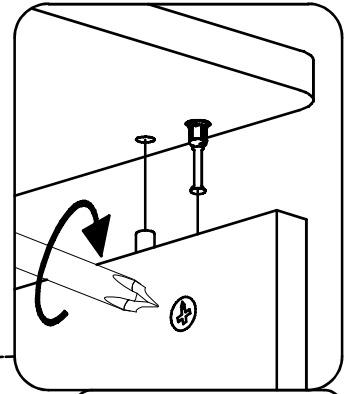
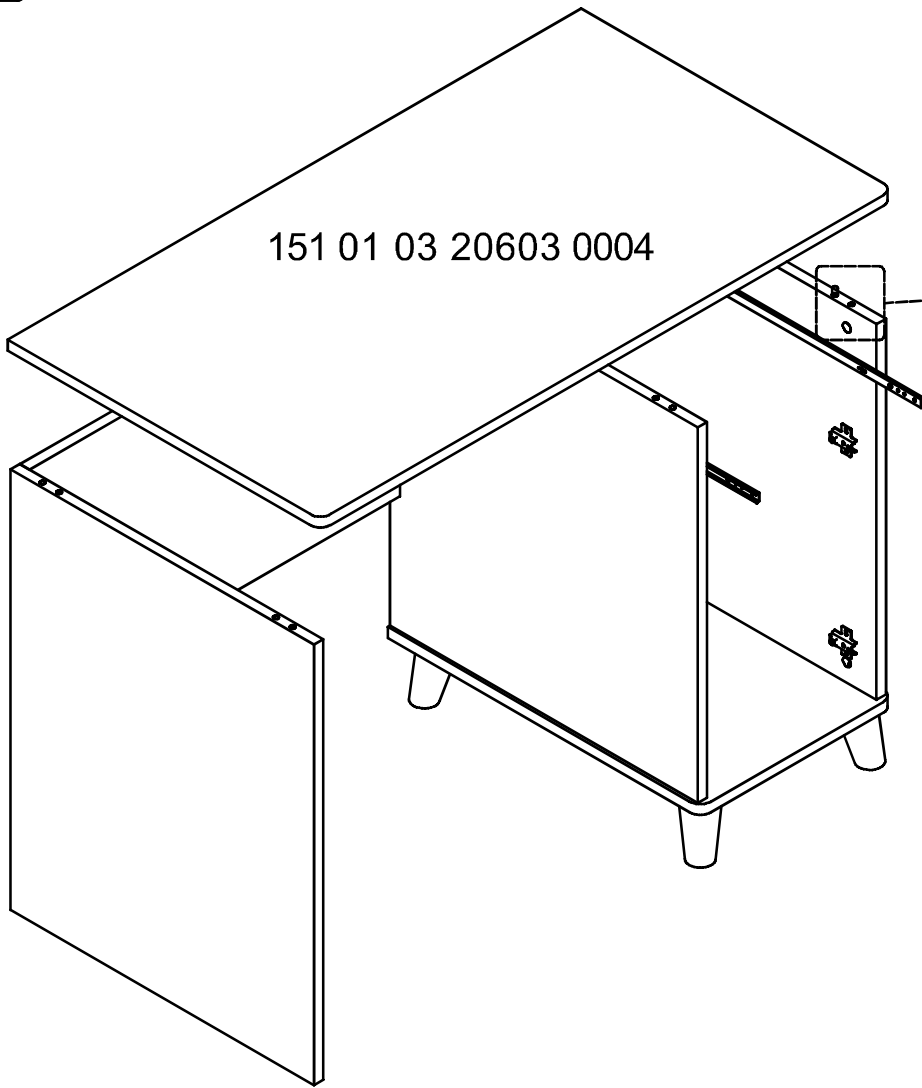
5



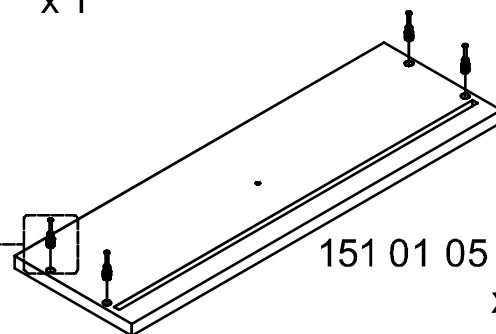
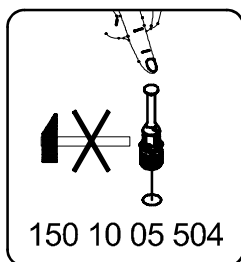
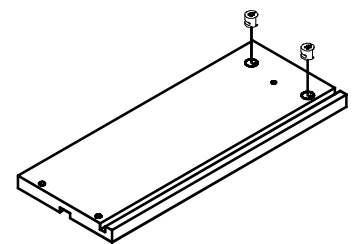
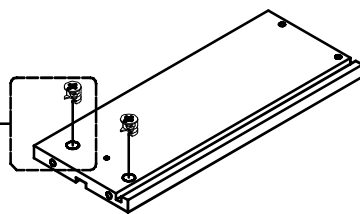
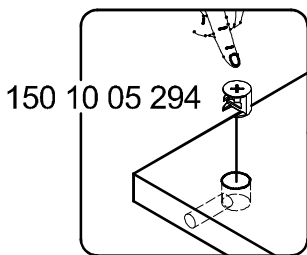
6



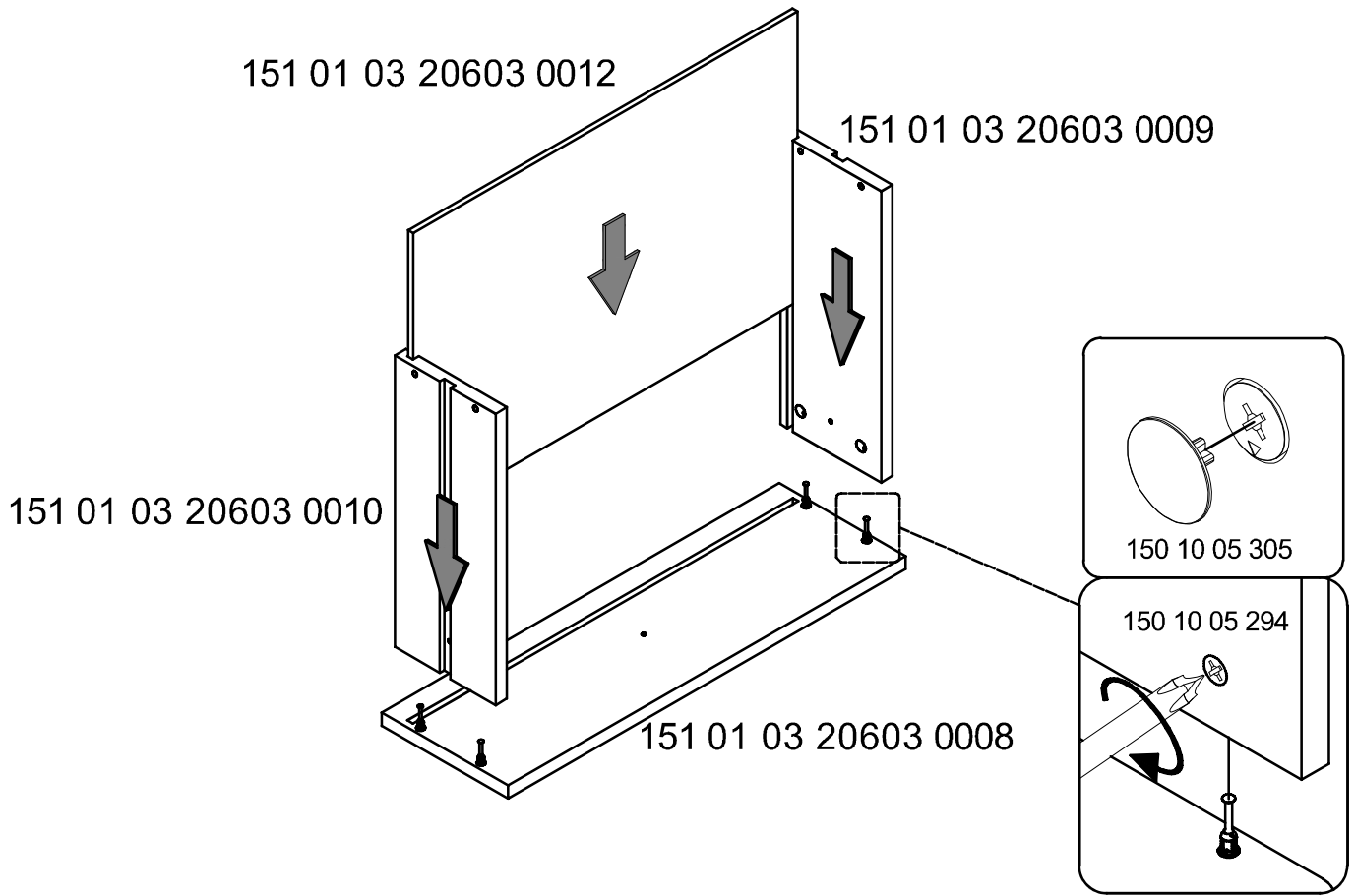
7



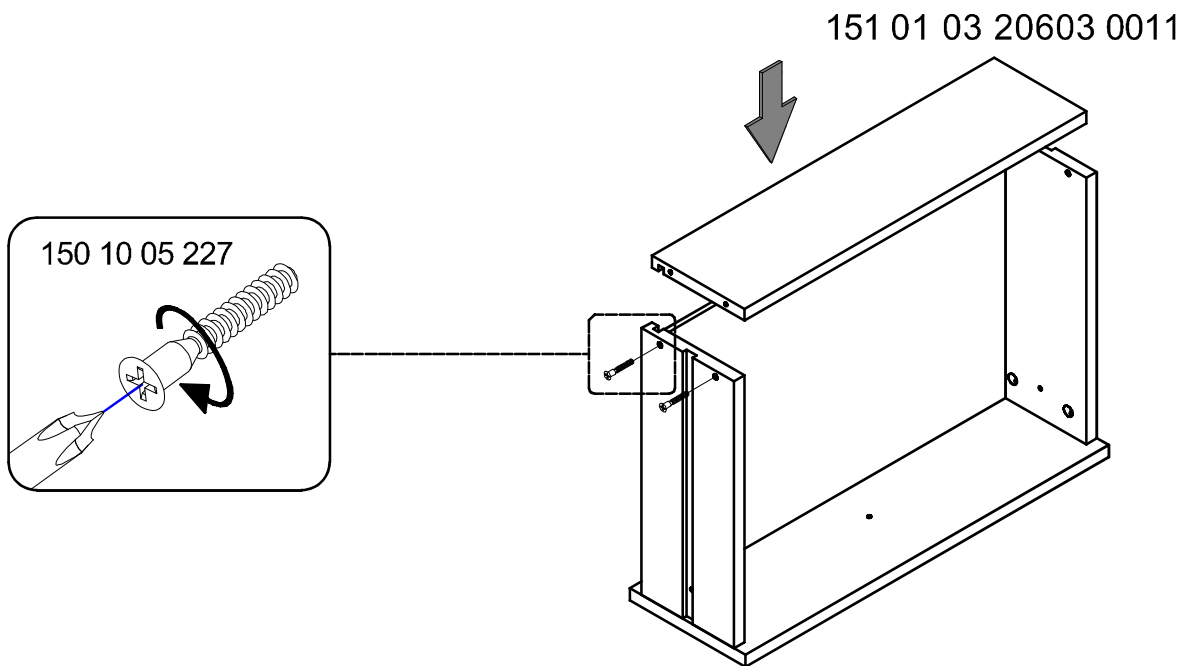
8



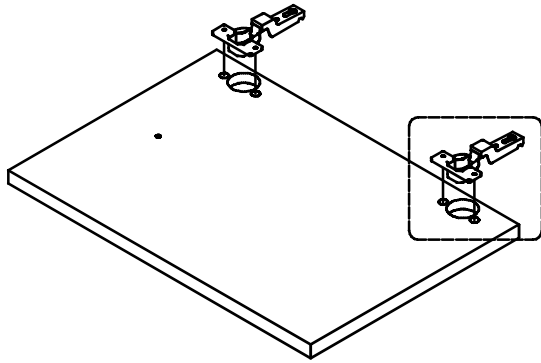
9



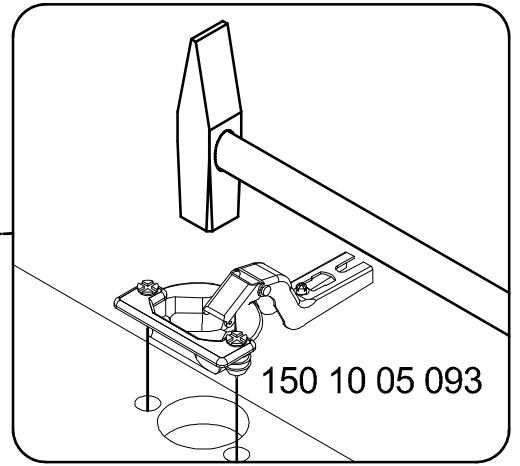
10



11

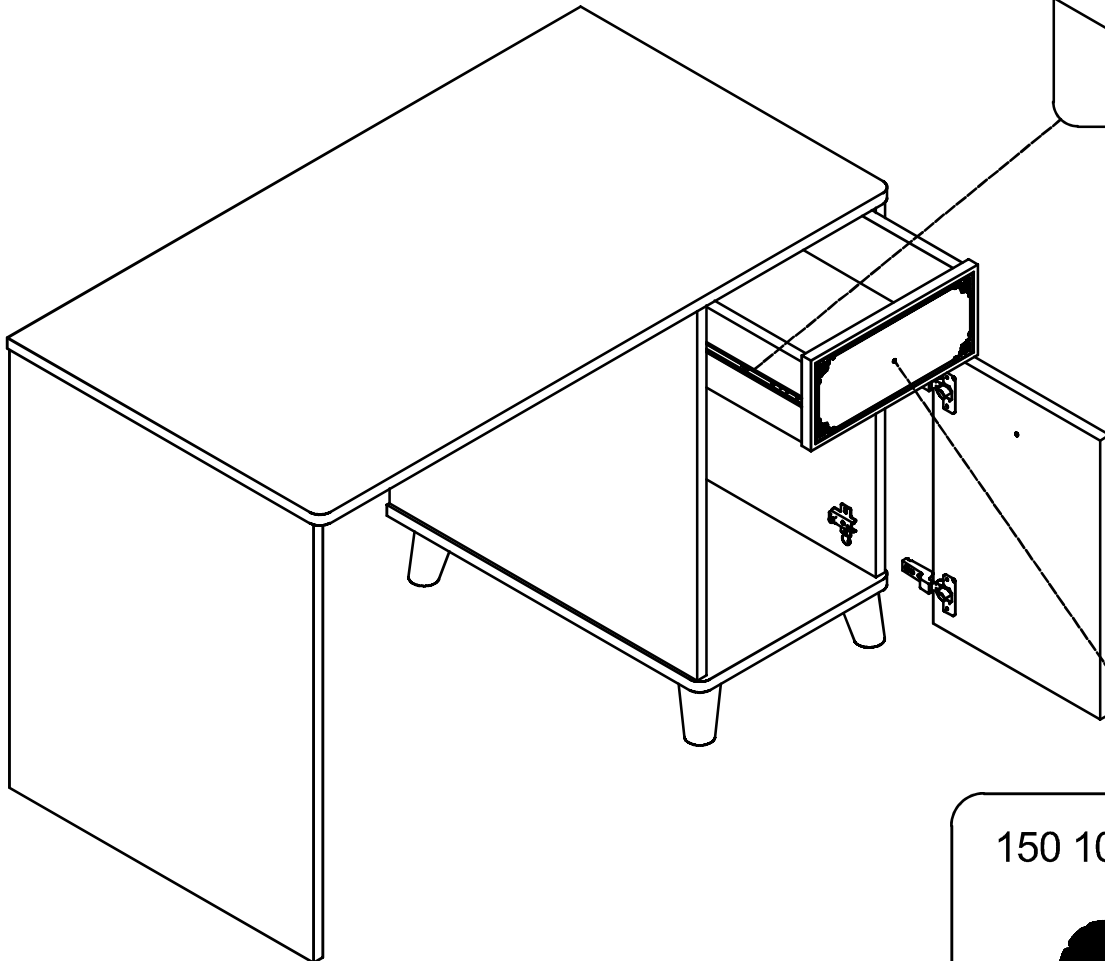


151 01 03 20603 0007

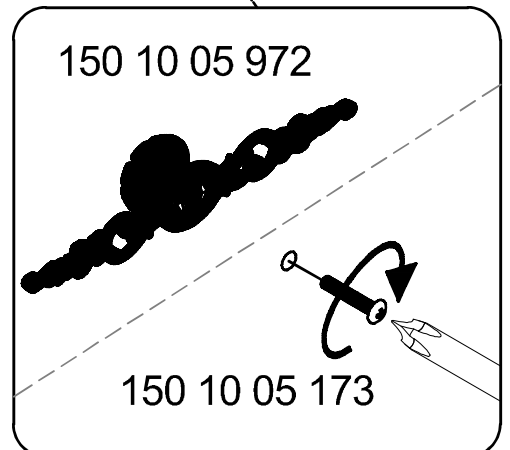
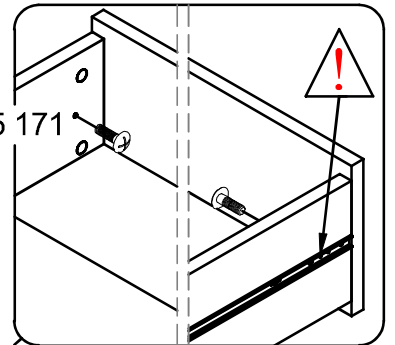


150 10 05 093

12

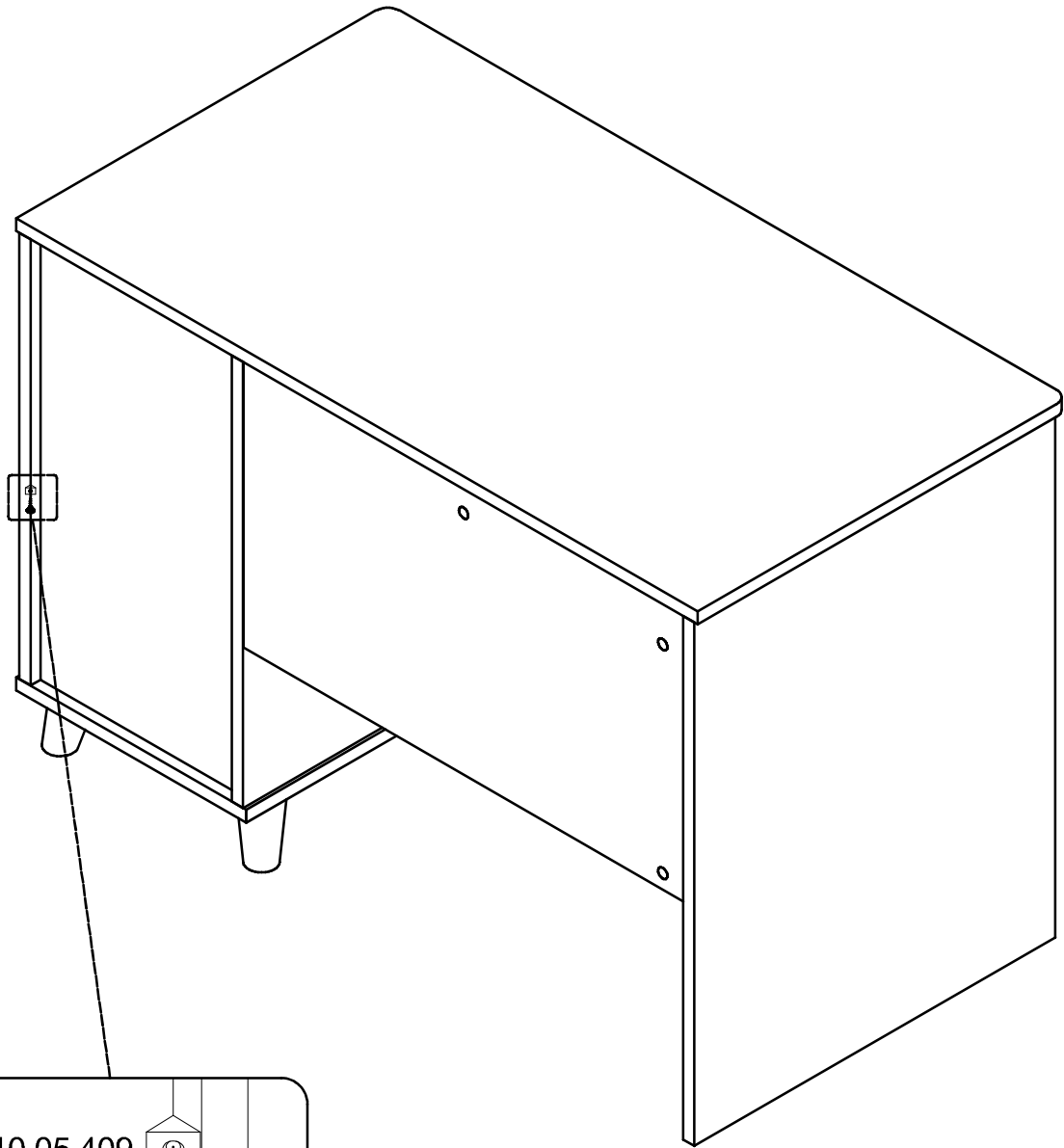


150 10 05 171



150 10 05 972

150 10 05 173



150 10 05 409

150 10 05 237
3,5x16mm

A detailed diagram showing a screw being inserted into a hole in a cabinet panel. The screw is shown with its head and threads. A curved arrow indicates the direction of rotation for tightening the screw. The diagram is enclosed in a rounded rectangular border.

