

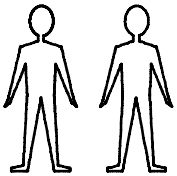
Item Description : Venüs 5 Doors Wardrobe

Model No : 55005

Dimension : W: 177.4 / D: 61.6 / H: 205

Total Weight of Item : 190,57 kg

People Required



For Professional assembly only

Time Required: 1 hrs. 30 min.

Tools Needed



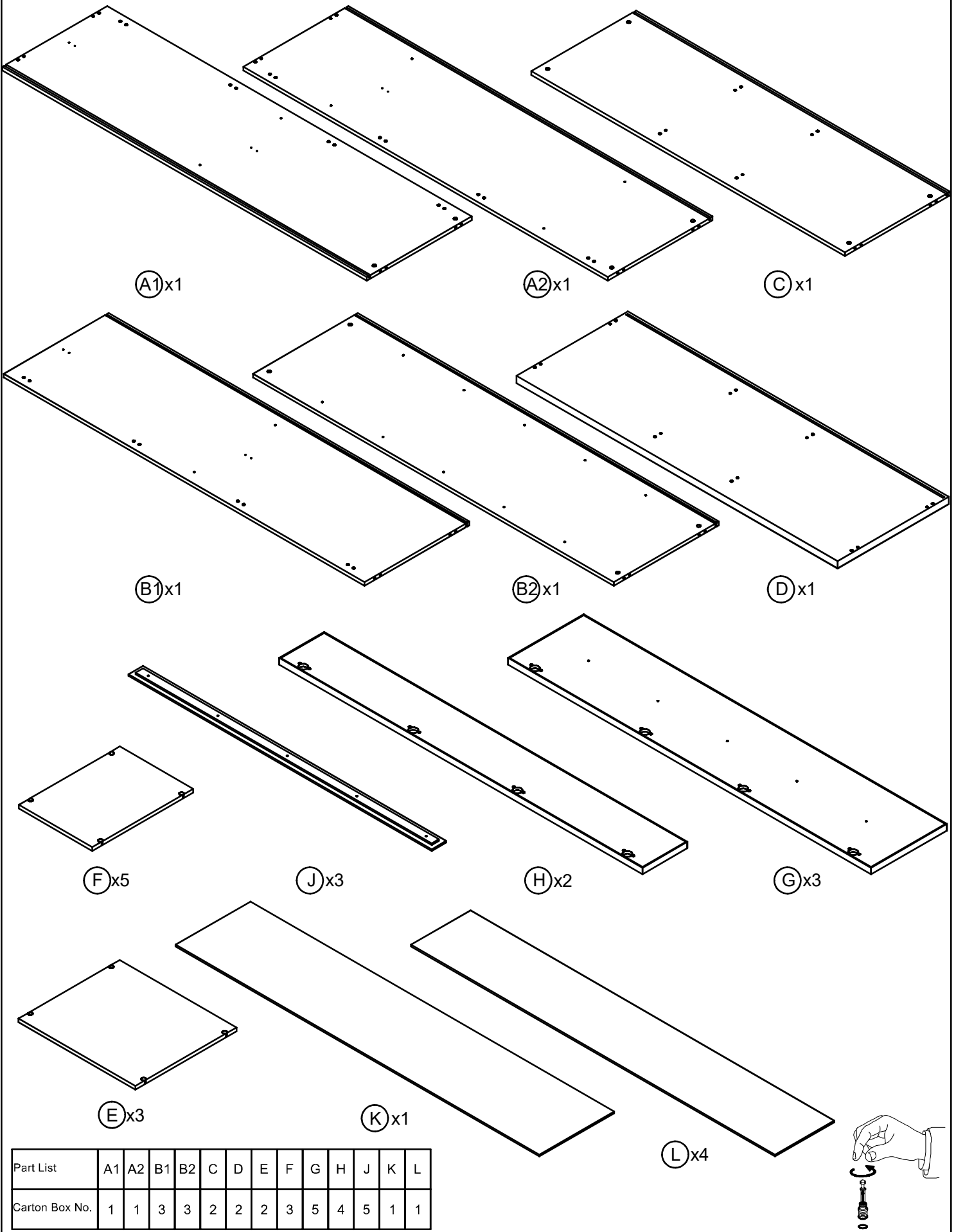
* Vertical Assembly Only.

* Please cover floor with corrugated board / paper to avoid scratches / damage to floor.

Assembly Checklist

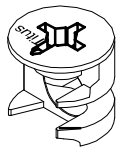
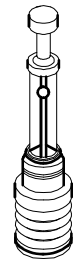
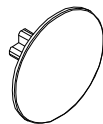
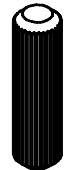
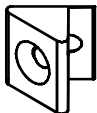
Please make sure that you have all of the below items before you start.

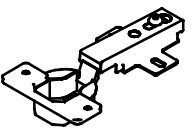
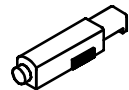
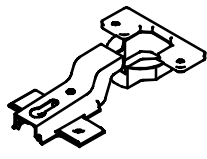
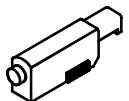
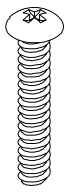
Parts supplied for assembly



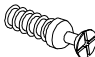




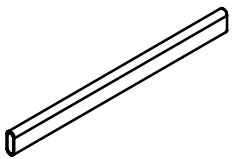
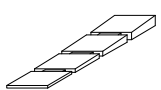

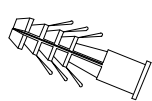
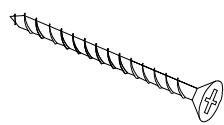
Part List	A1	A2	B1	B2	C	D	E	F	G	H	J	K	L
Carton Box No.	1	1	3	3	2	2	2	3	5	4	5	1	1

Hardware supplied for assembly

				
a x 16	b x 16	c x 16	d x 16	e x 20

				
ca x 8	ga x 4	cb x 12	gb x 6	M4*25 mm k x 15

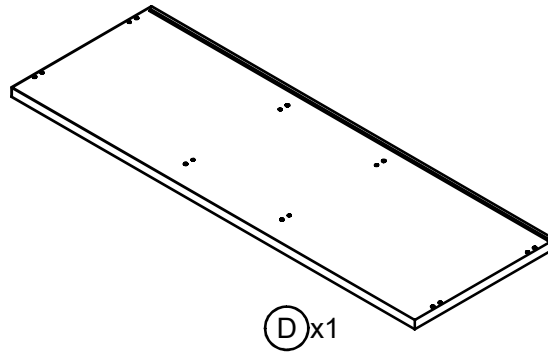
				
ra x 12	rb x 20	r x 32	4*25 mm p x 20	3,5*16 mm n x 32

				
cd x 3	m x 2	u x 1	Ø8 mm v x 1	4*50 mm y x 1

--	--	--	--	--

Step 1

Parts



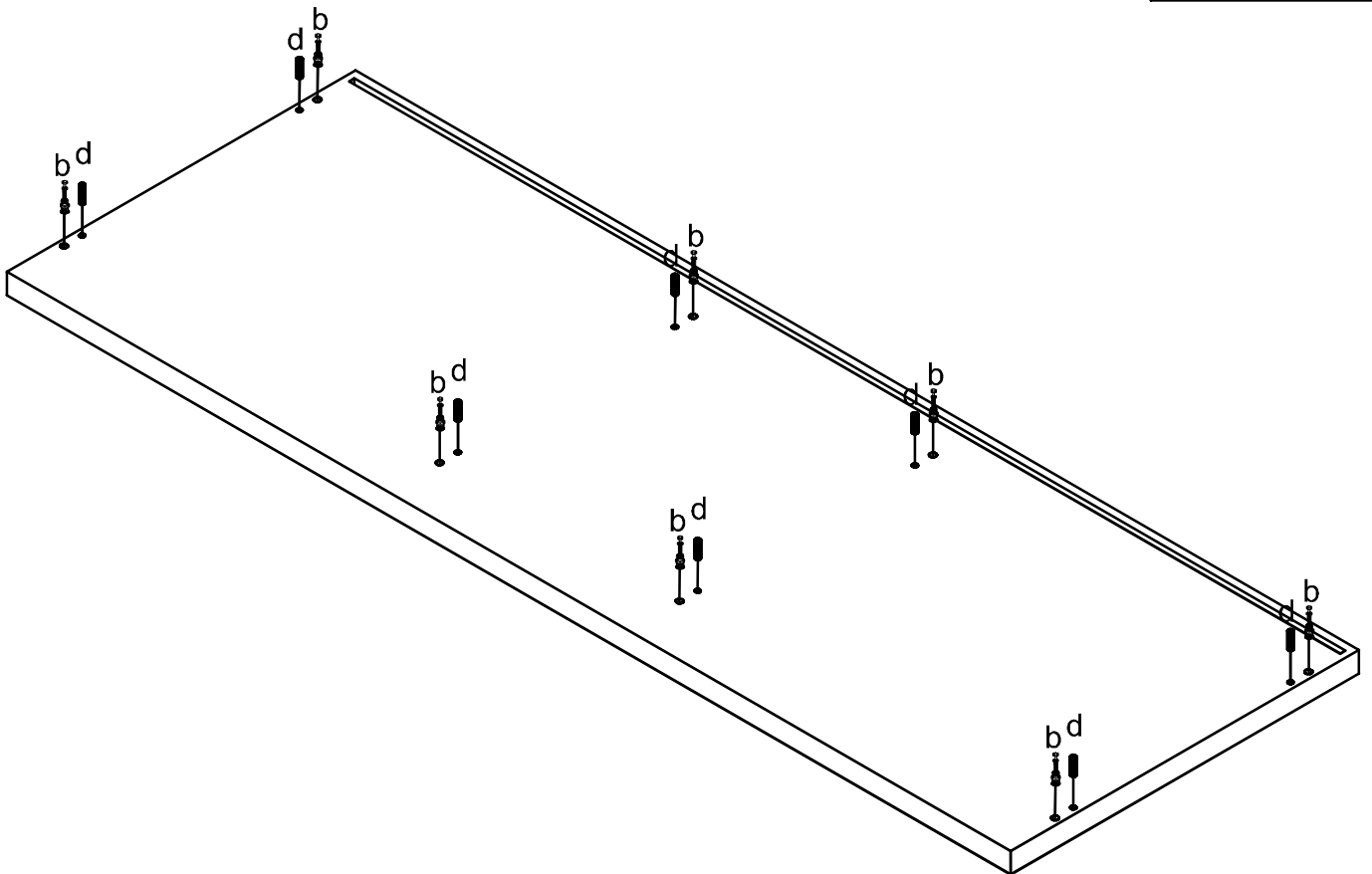
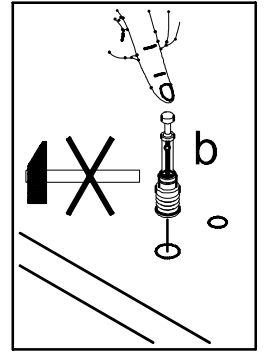
Hardware



(b)x8

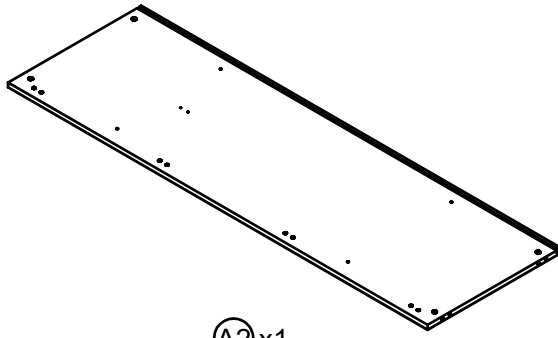


(d)x8



Step 2

Parts



A2x1

Hardware



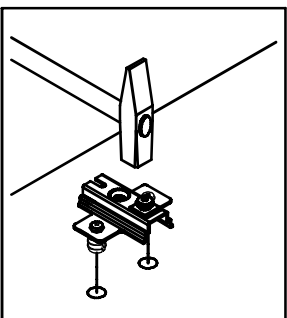
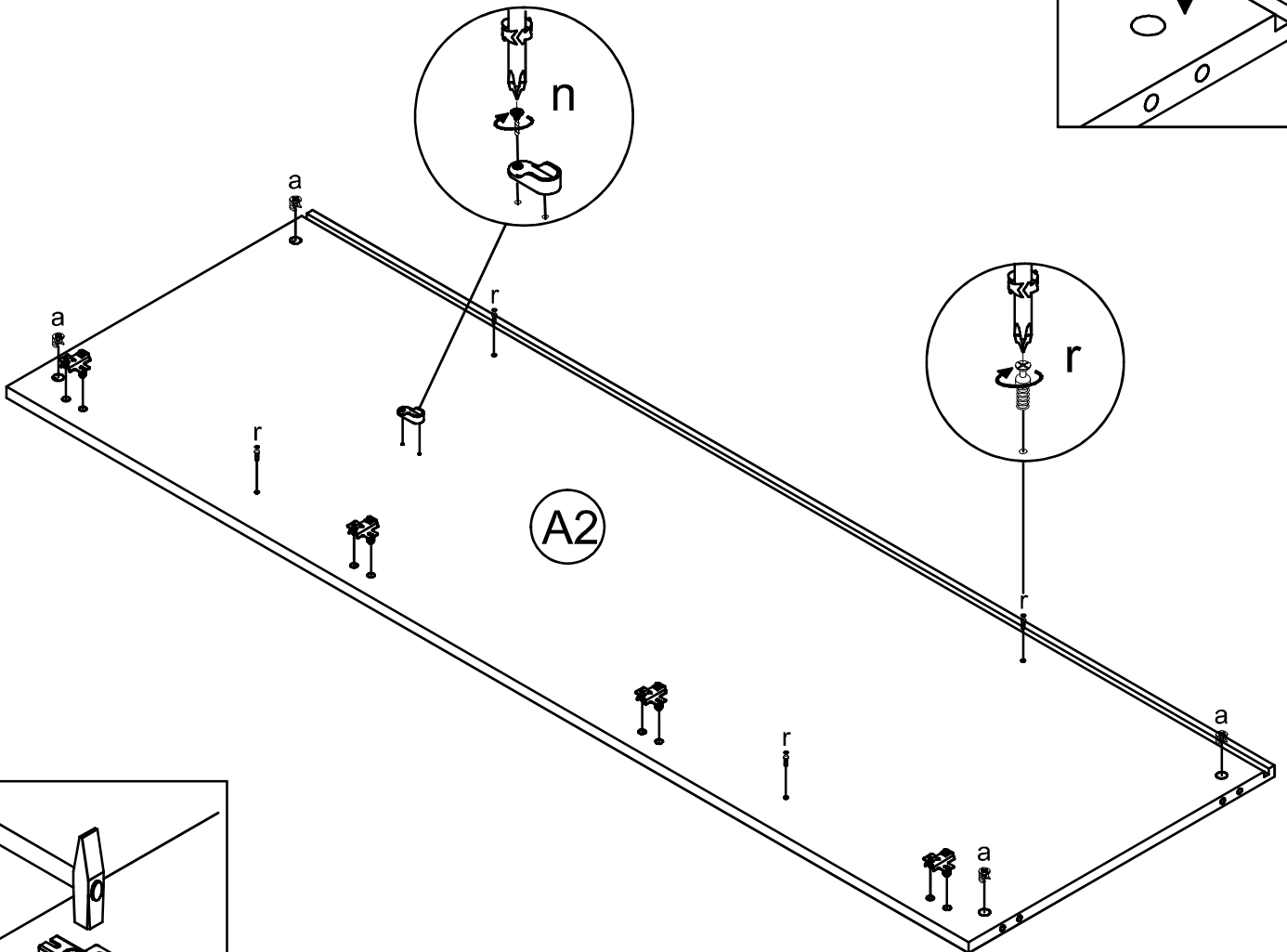
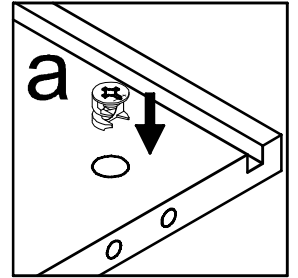
a x 4



r x 4

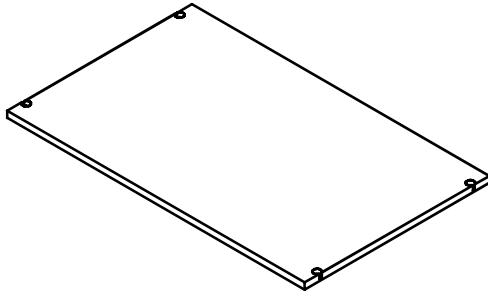


n x 2

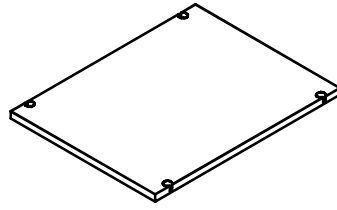


Step 3

Parts



Ⓔ x2



Ⓕ x4

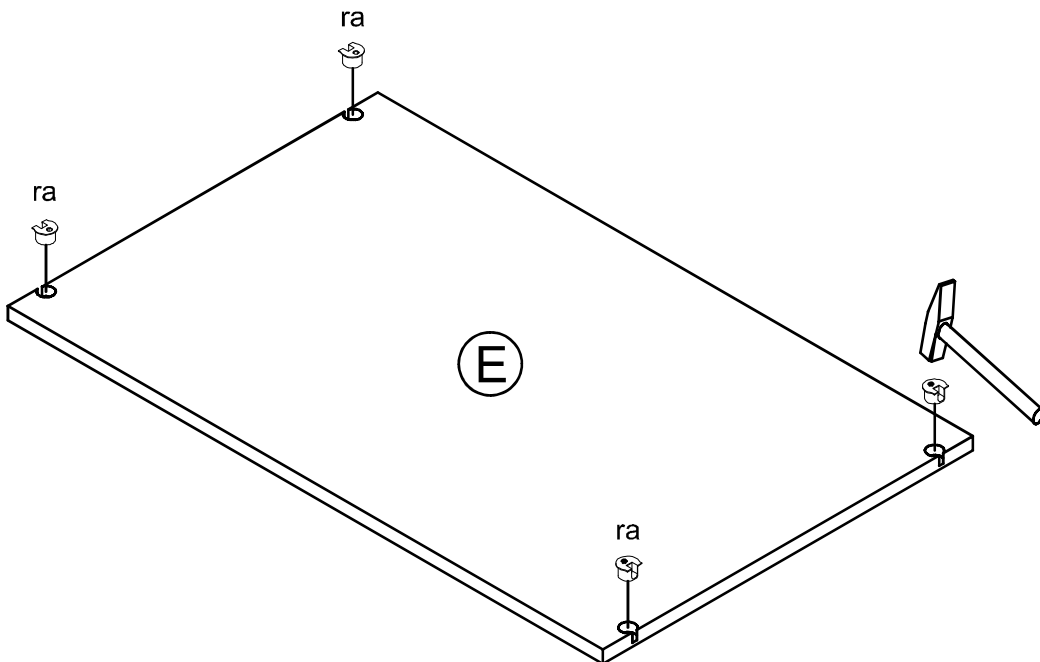
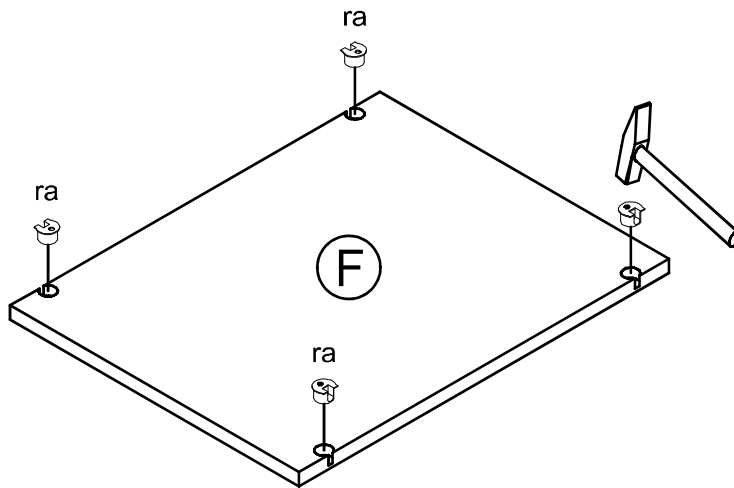
Hardware



Ⓐ x8

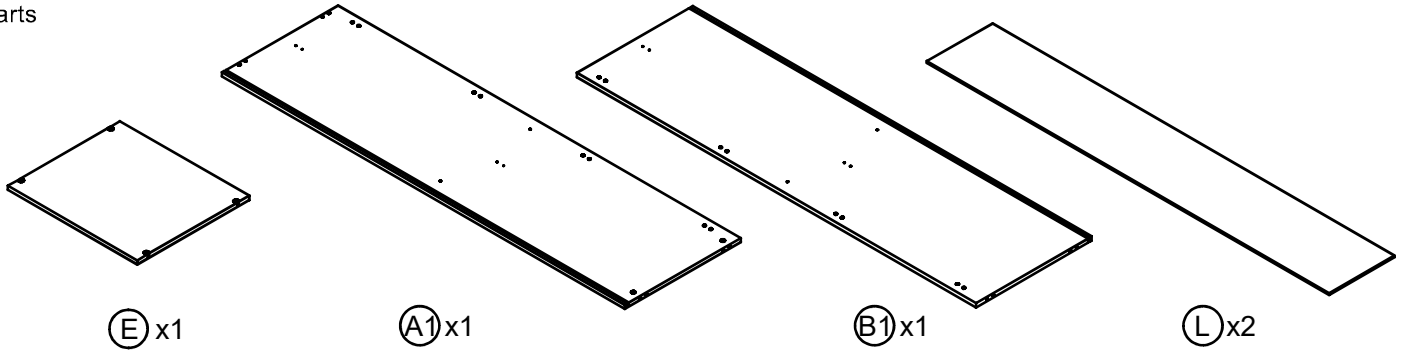


Ⓑ x16

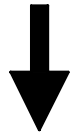
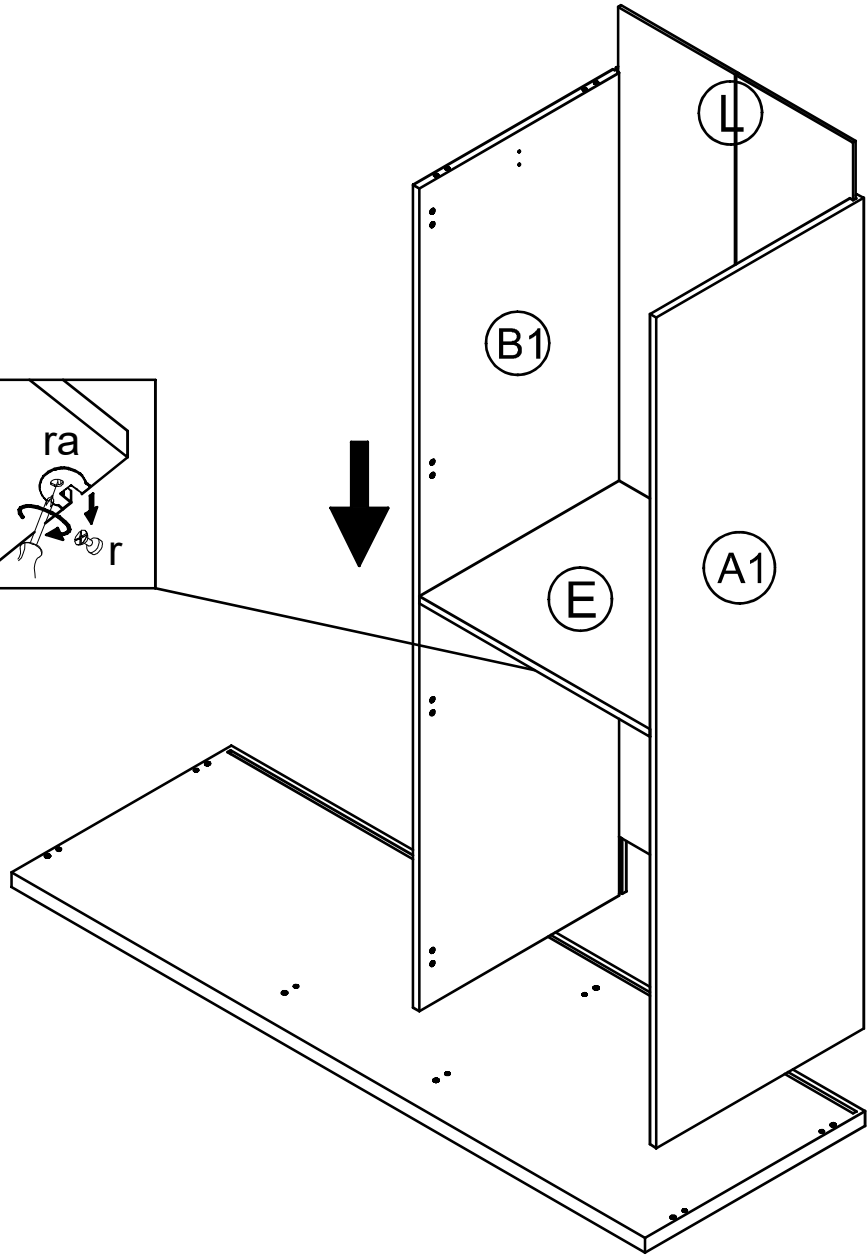
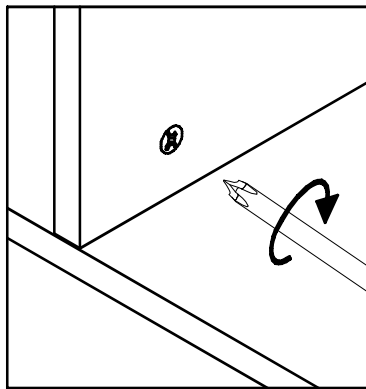
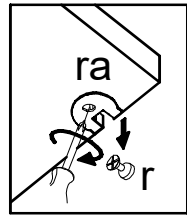
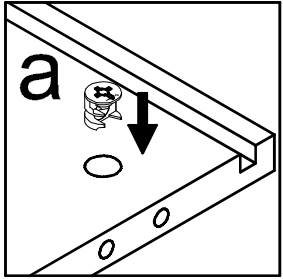
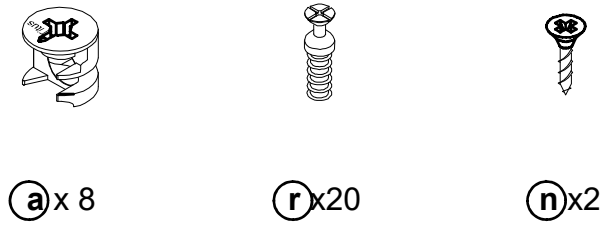


Step 4

Parts

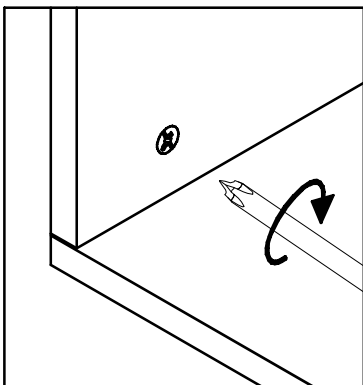
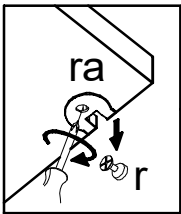
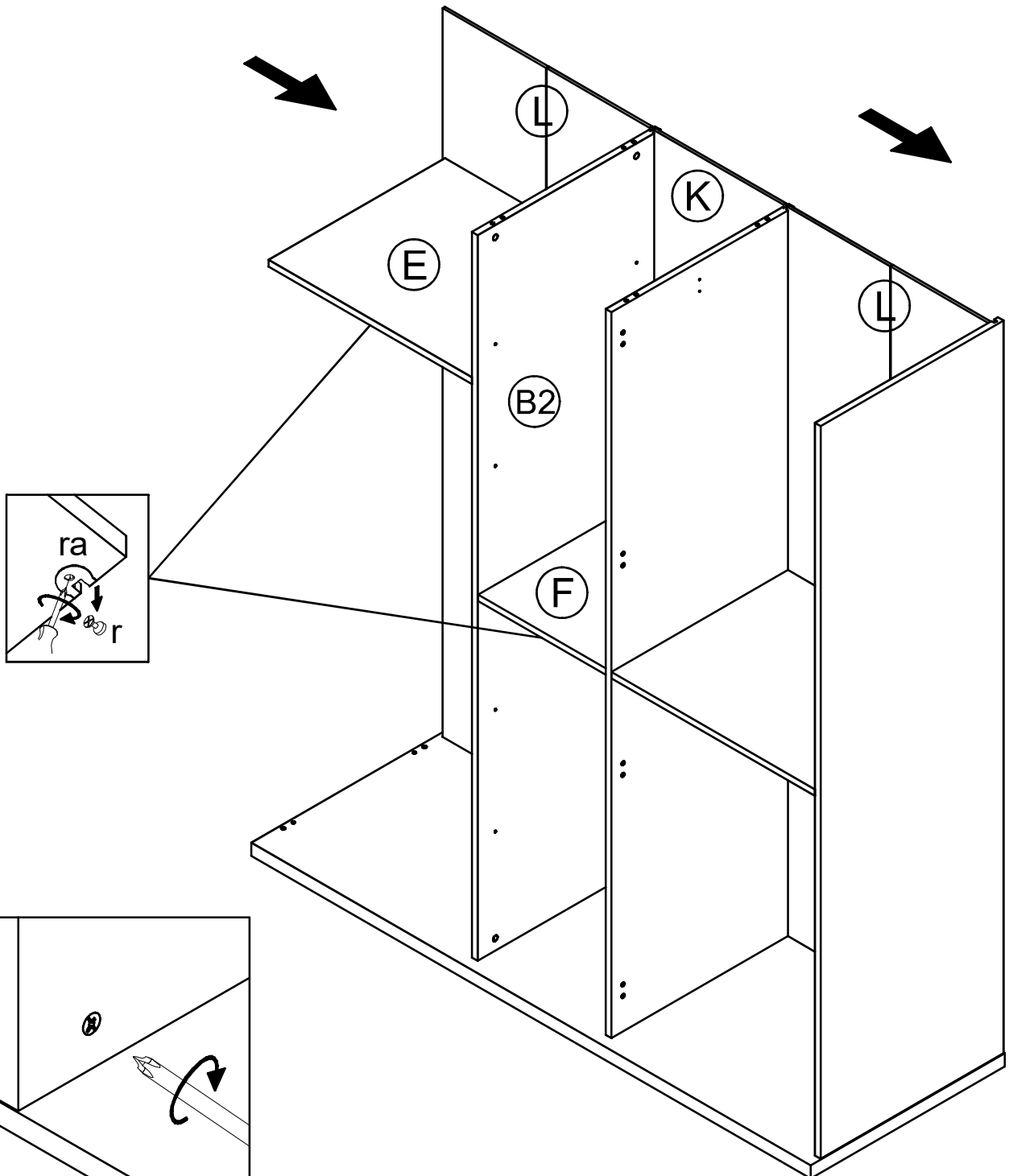
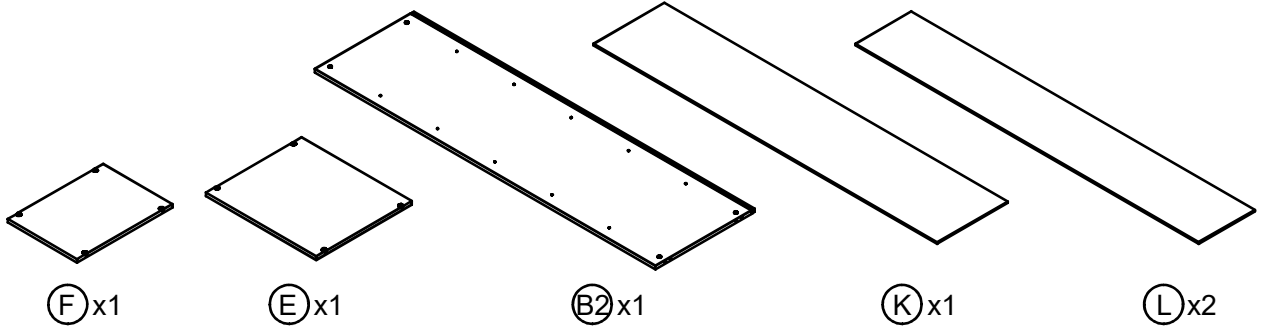


Hardware



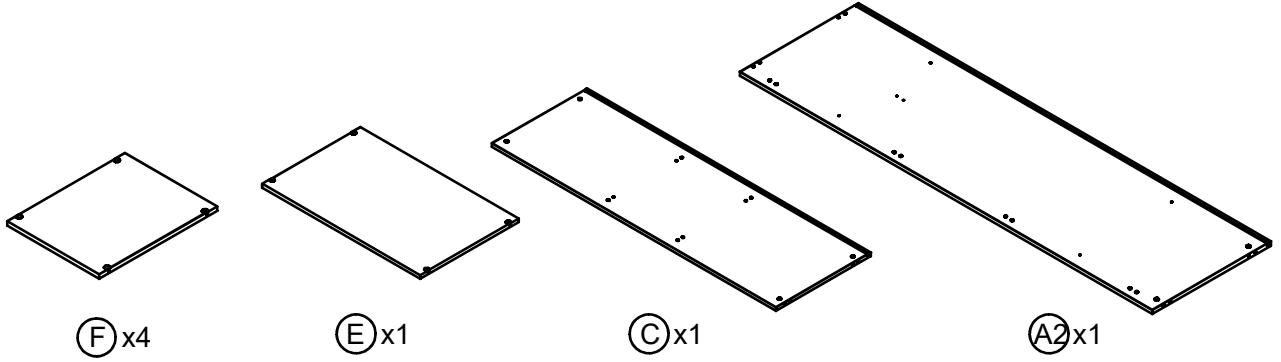
Step 5

Parts

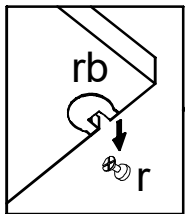
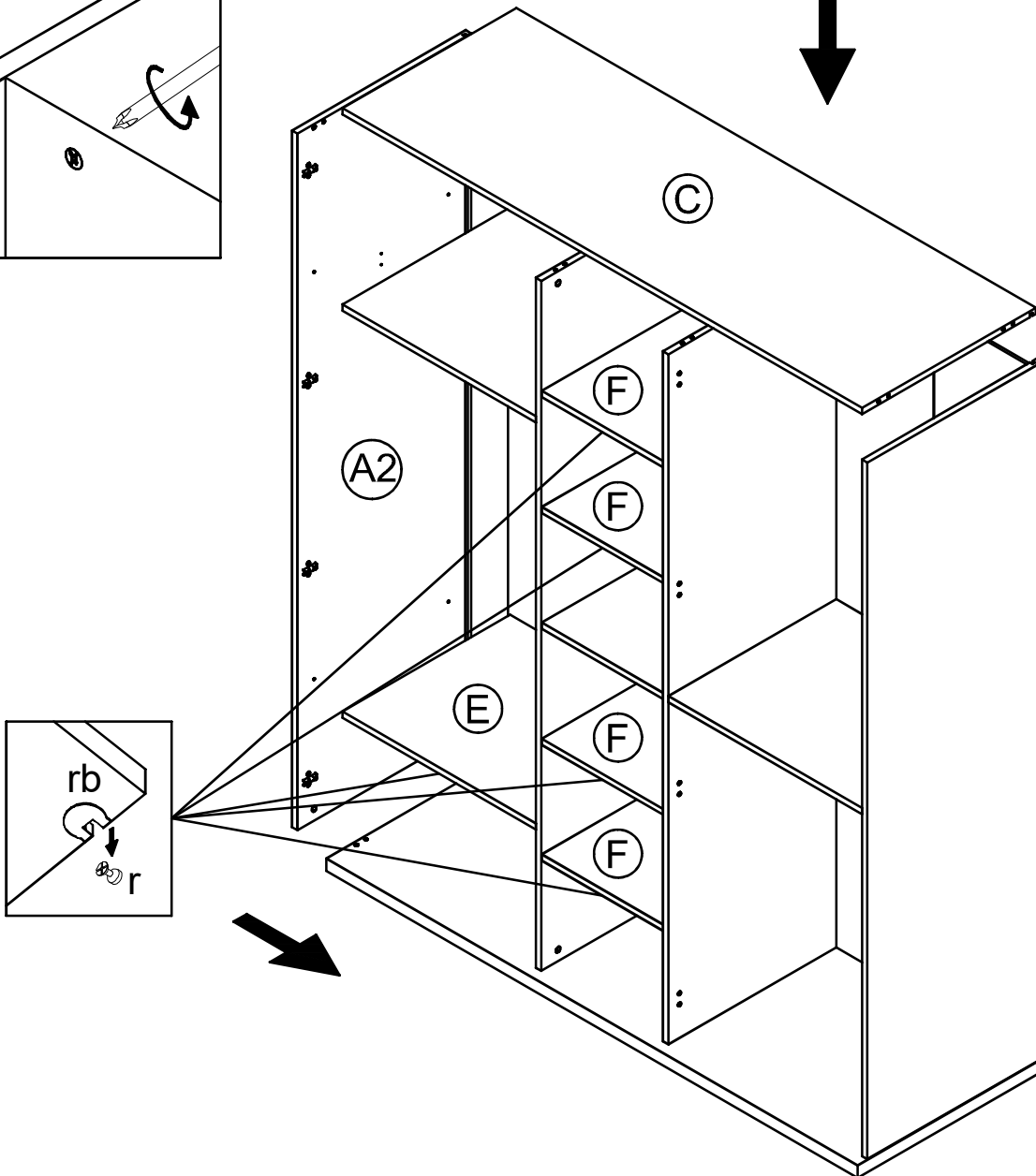
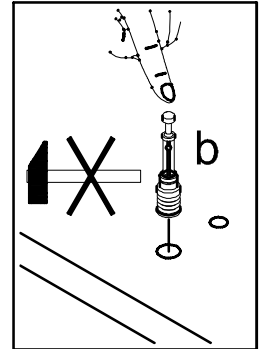
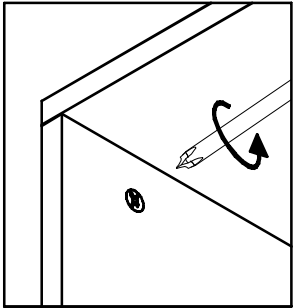
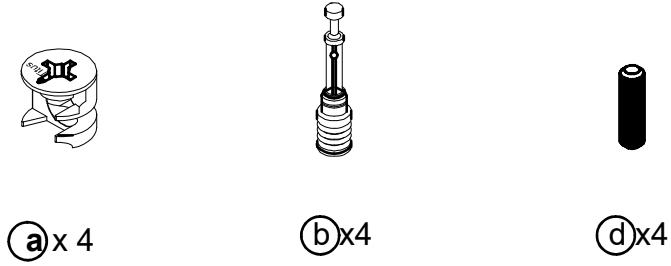


Step 6

Parts

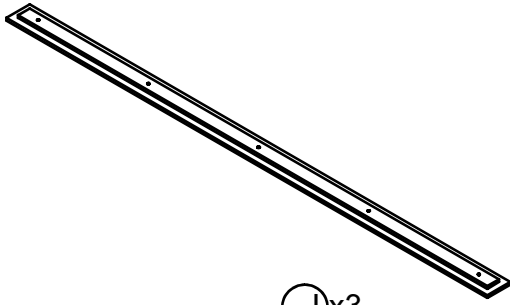


Aksesuarlar / Hardware



Step 7

Hardware



(J)x3



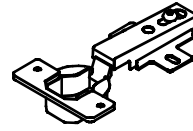
(k)x15



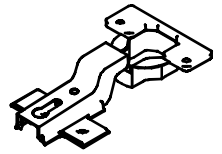
(c)x16



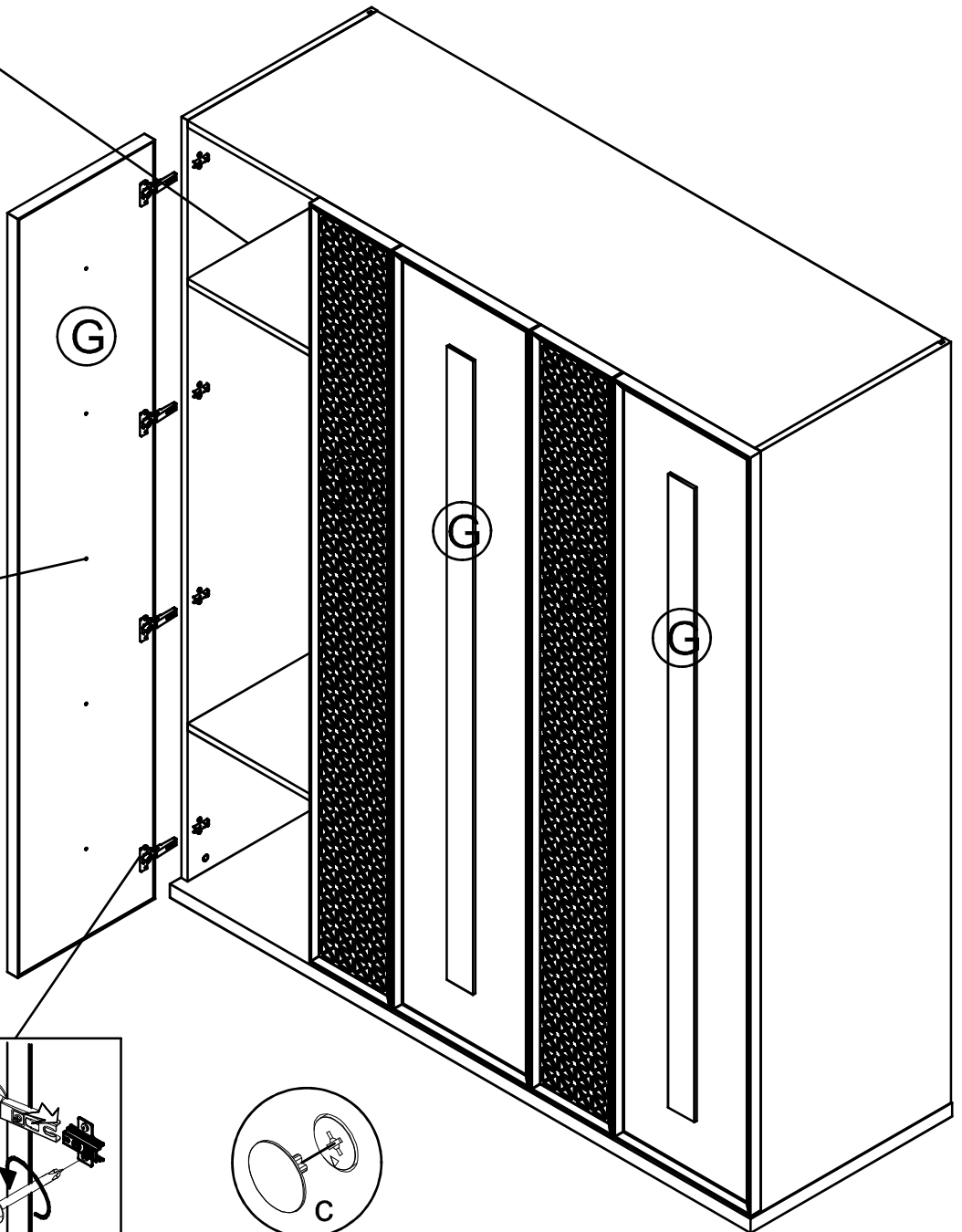
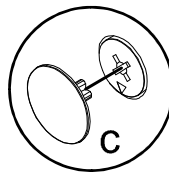
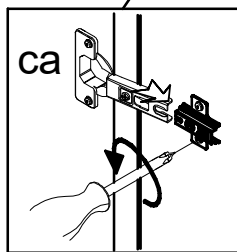
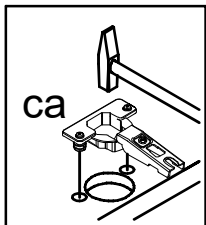
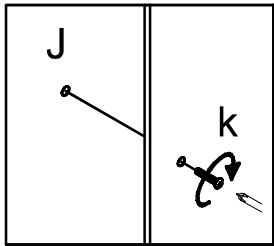
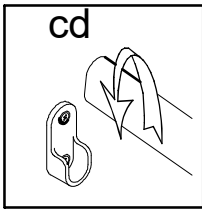
(p)x8



(ca)x8

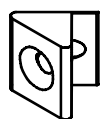


(cb)x12



Step 8

Hardware



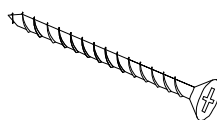
e x20



n x20



p x1



y x1



u x1



v x1

