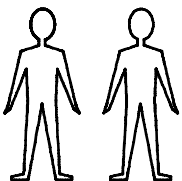


Item Description : Venüs Study Table
Model No : 55008
Dimension : W: 127 / D: 65 / H: 94
Total Weight of Item : 51,82 kg

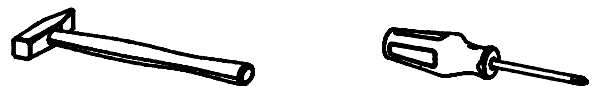
People Required



For Professional assembly only

Time Required: 1 hrs. 30 min.

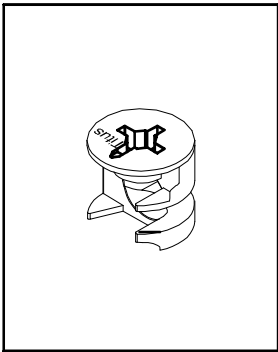
Tools Needed



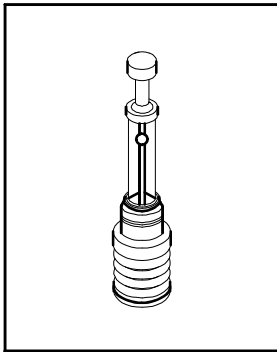
* Vertical Assembly Only.

* Please cover floor with corrugated board / paper to avoid scratches / damage to floor.

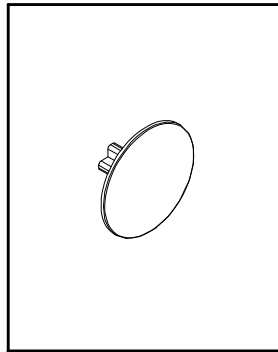
Hardware supplied for assembly



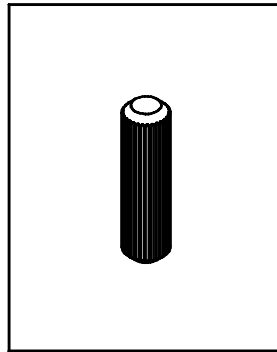
a x 32



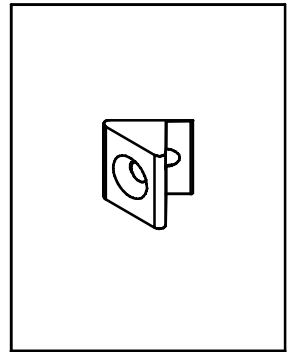
b x 32



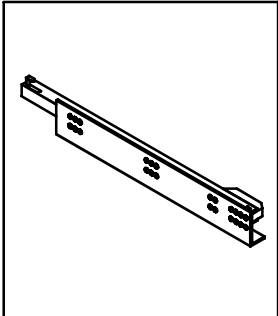
ac x 32



d x 18

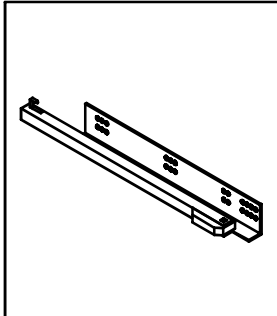


e x 4



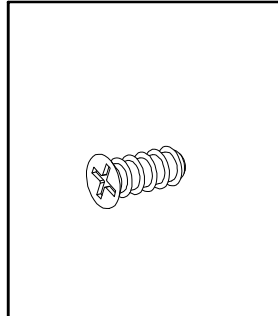
SOL / LEFT

aa x 2

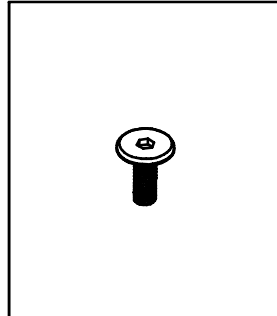


SAĞ / RIGHT

ab x 2

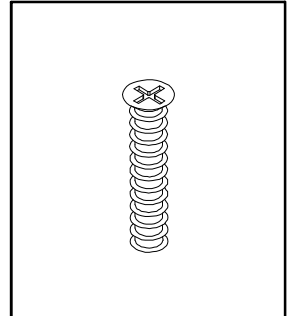


f x 8



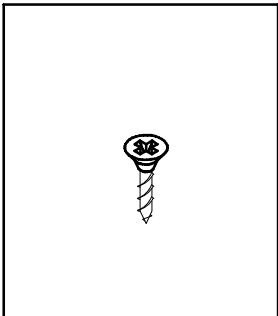
M6*15 mm

ga x 12



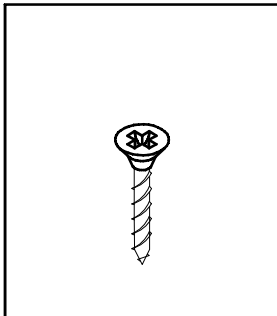
M6*30 mm

h x 2



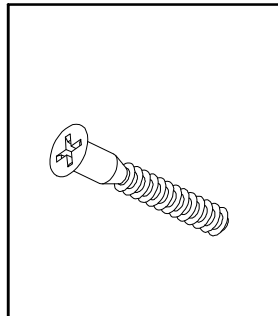
3,5*16 mm

n x 4

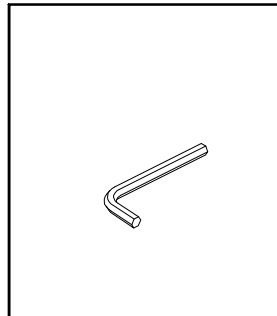


3,5*25 mm

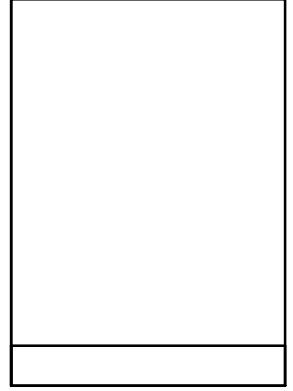
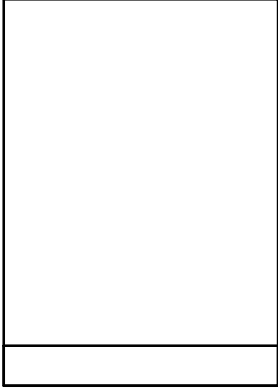
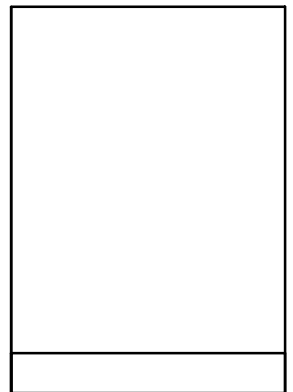
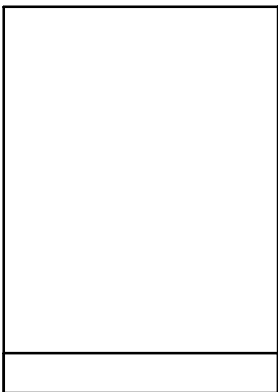
p x 6



r x 9

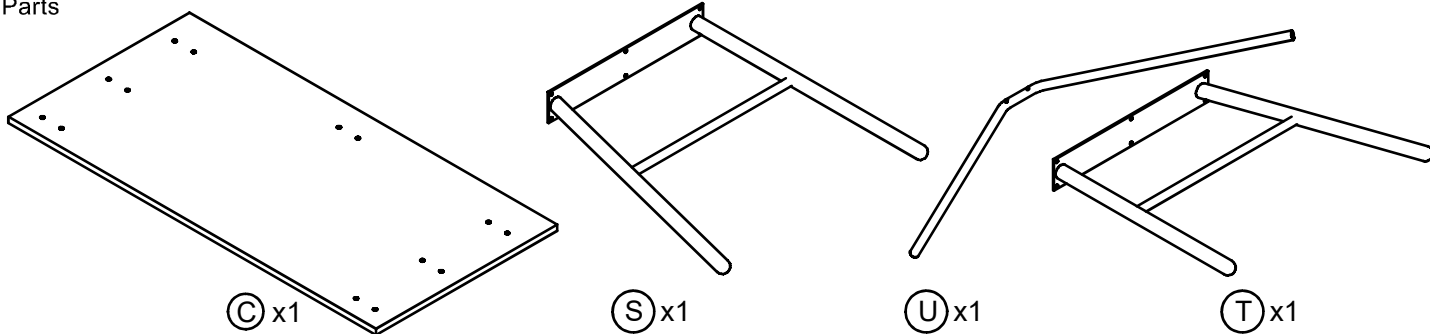


e x 1

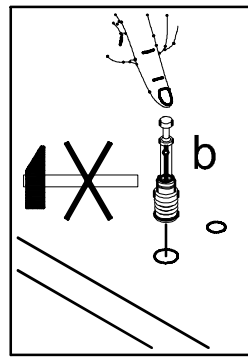
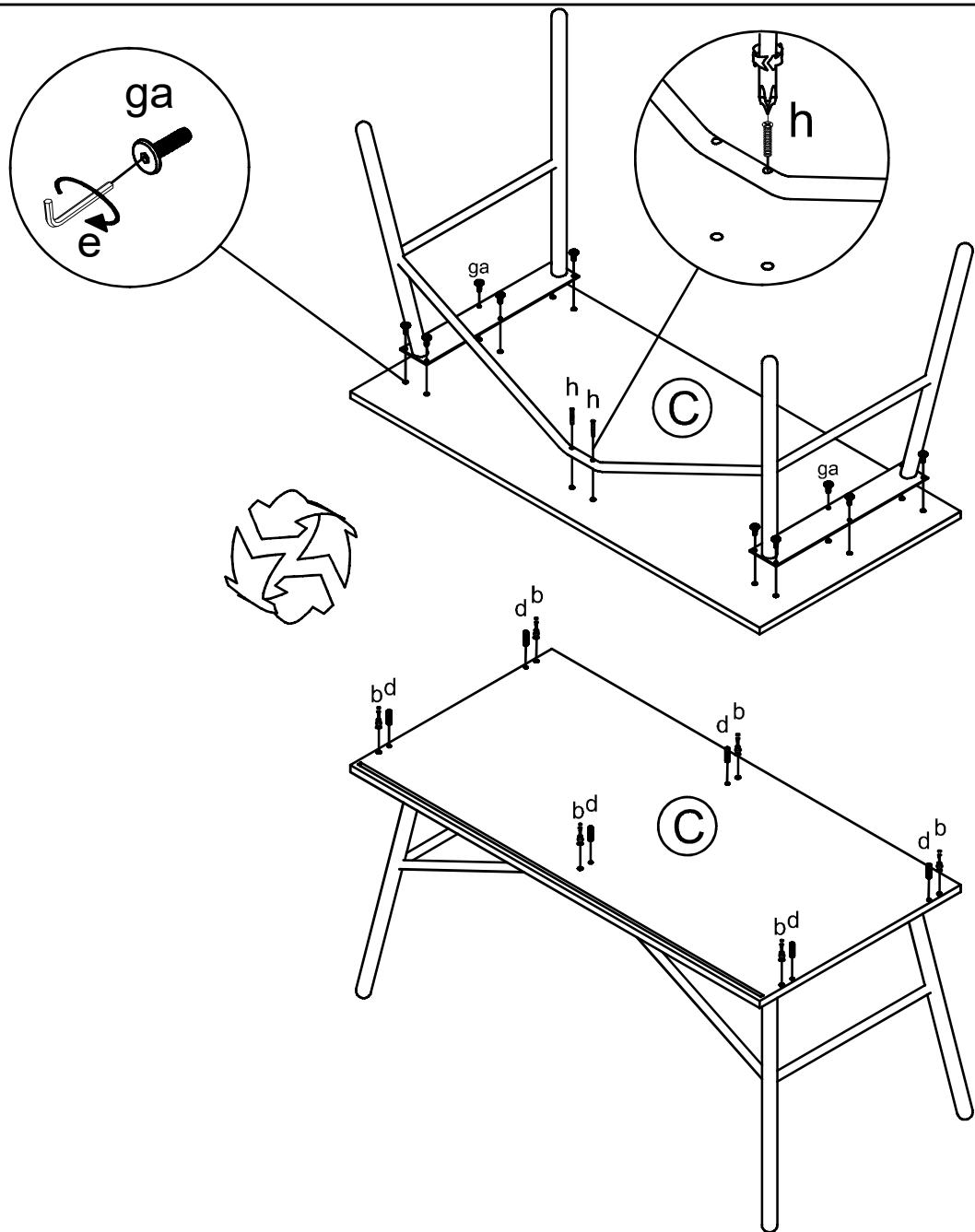
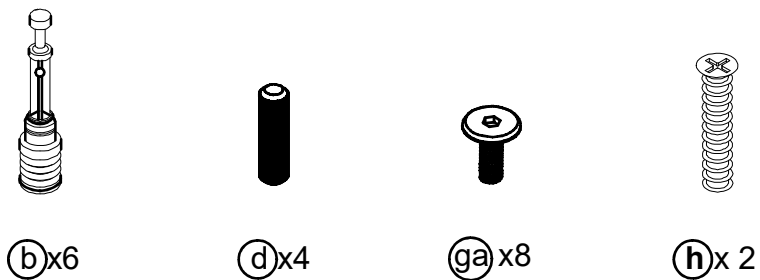


Step 1

Parts

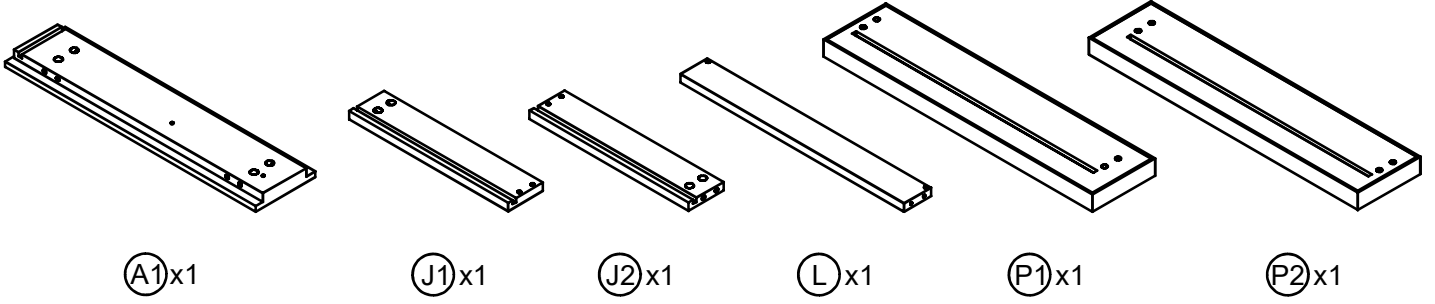


Hardware

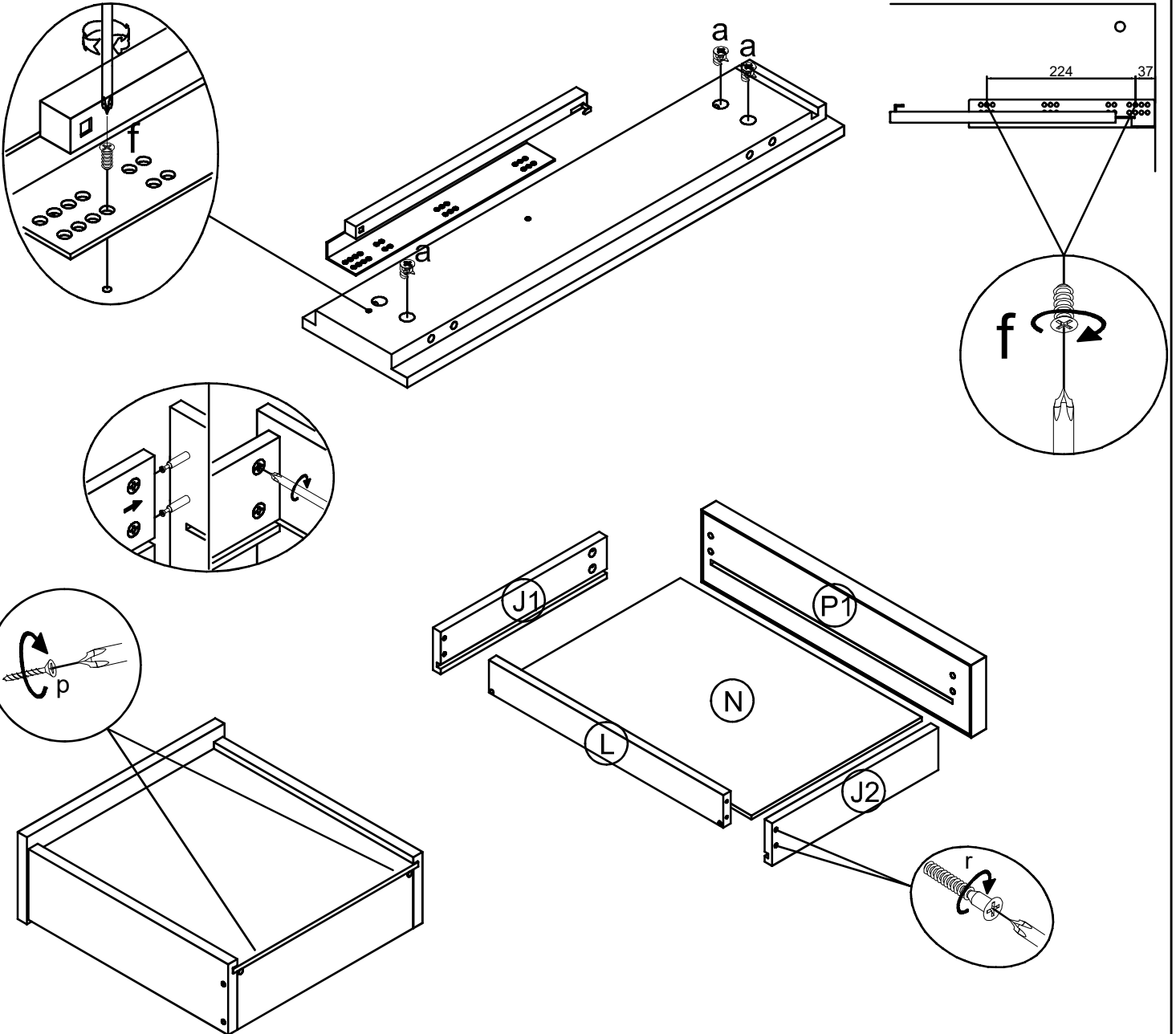
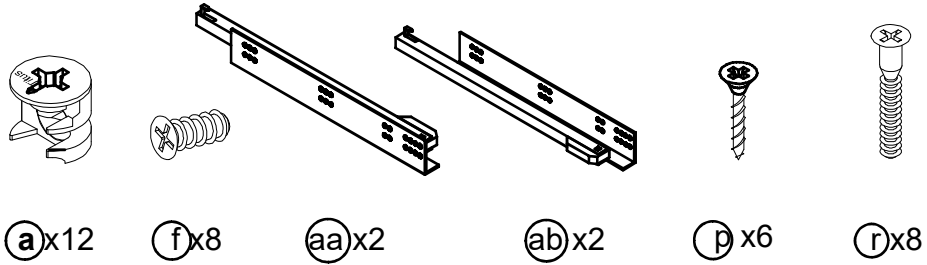


Step 2

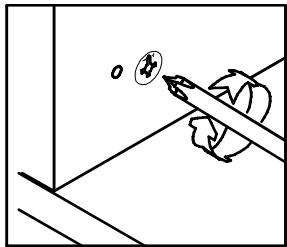
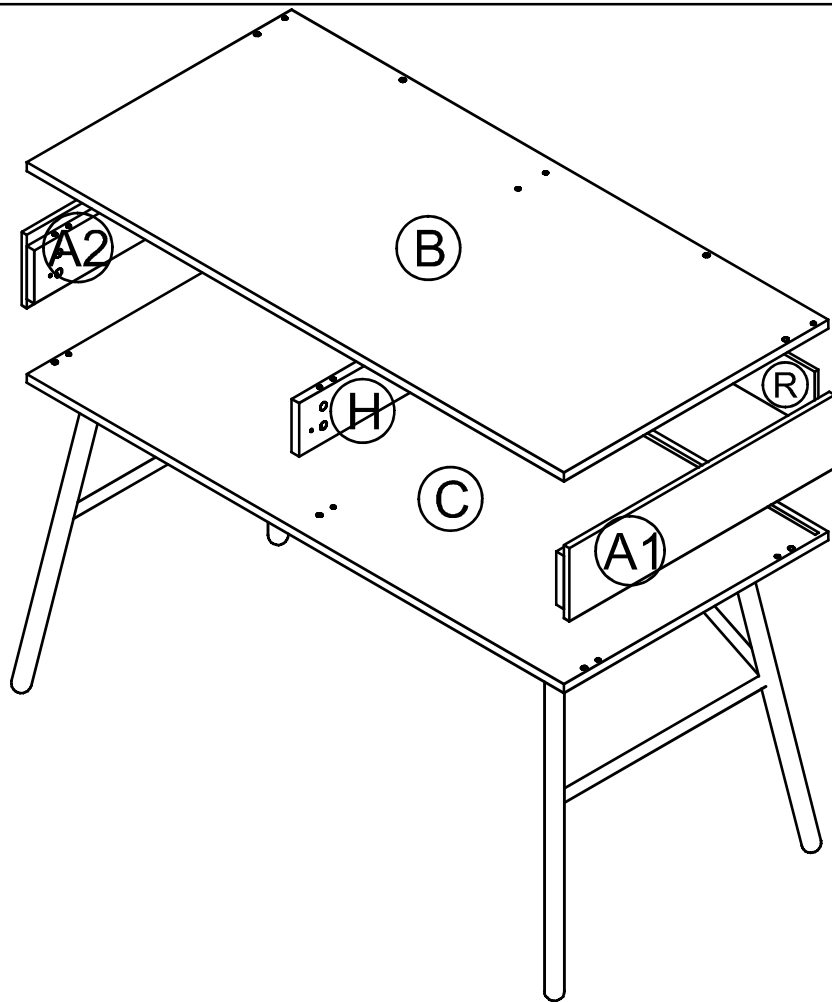
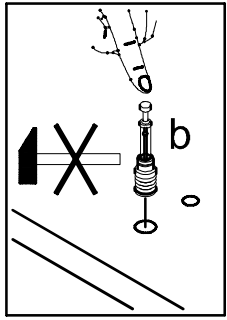
Parts



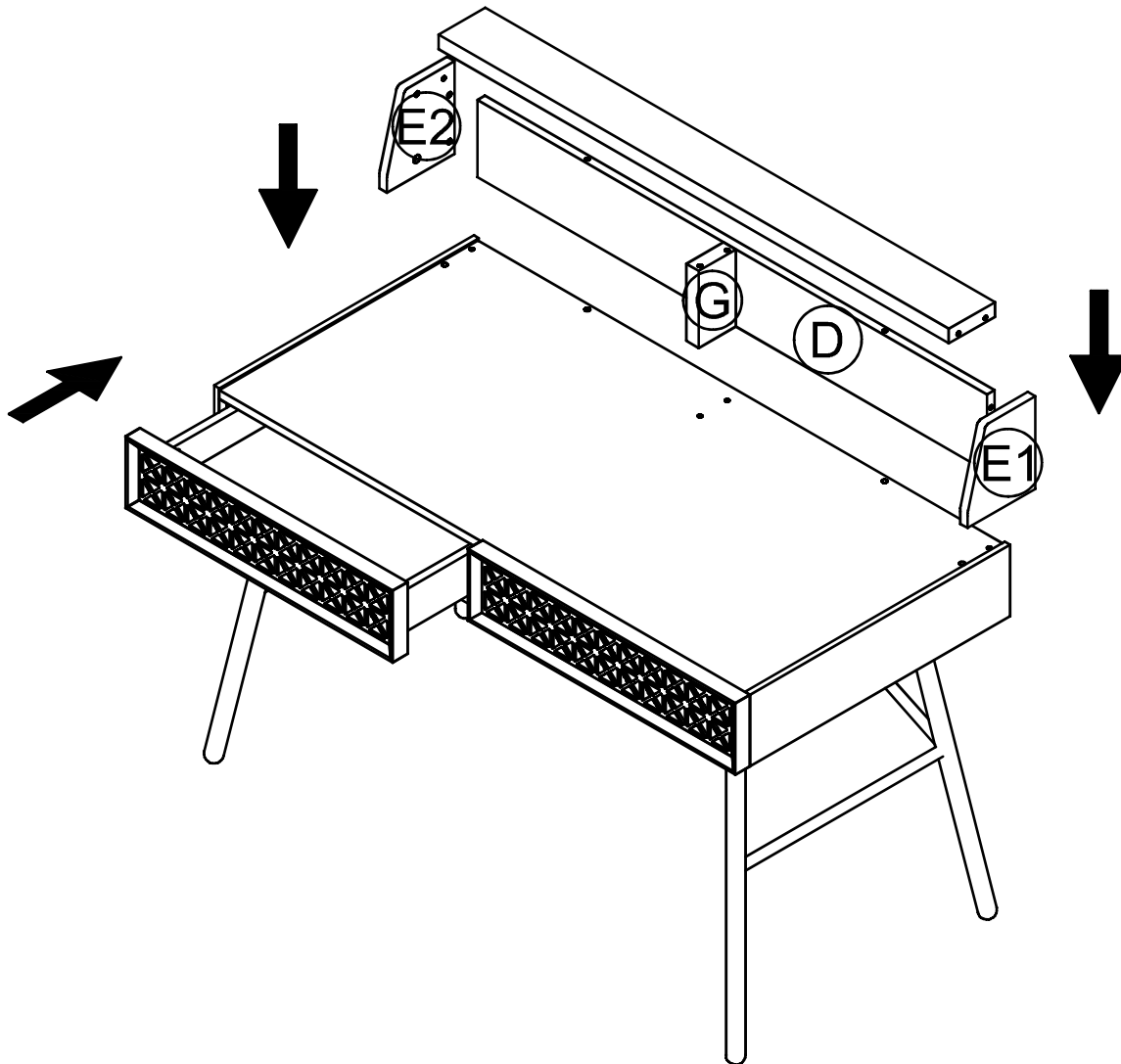
Aksesuarlar / Hardware



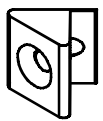
Step 4



Step 5



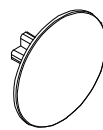
Step 6



e x4



n x4



ac x36

