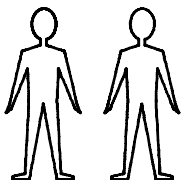


Item Description : Venüs Chest Of Drawers
Model No : 55007
Dimension : W: 85 / D: 48.2 / H: 82.3
Total Weight of Item : 51 kg

People Required



For Professional assembly only

Time Required: 1 hrs. 30 min.

Tools Needed



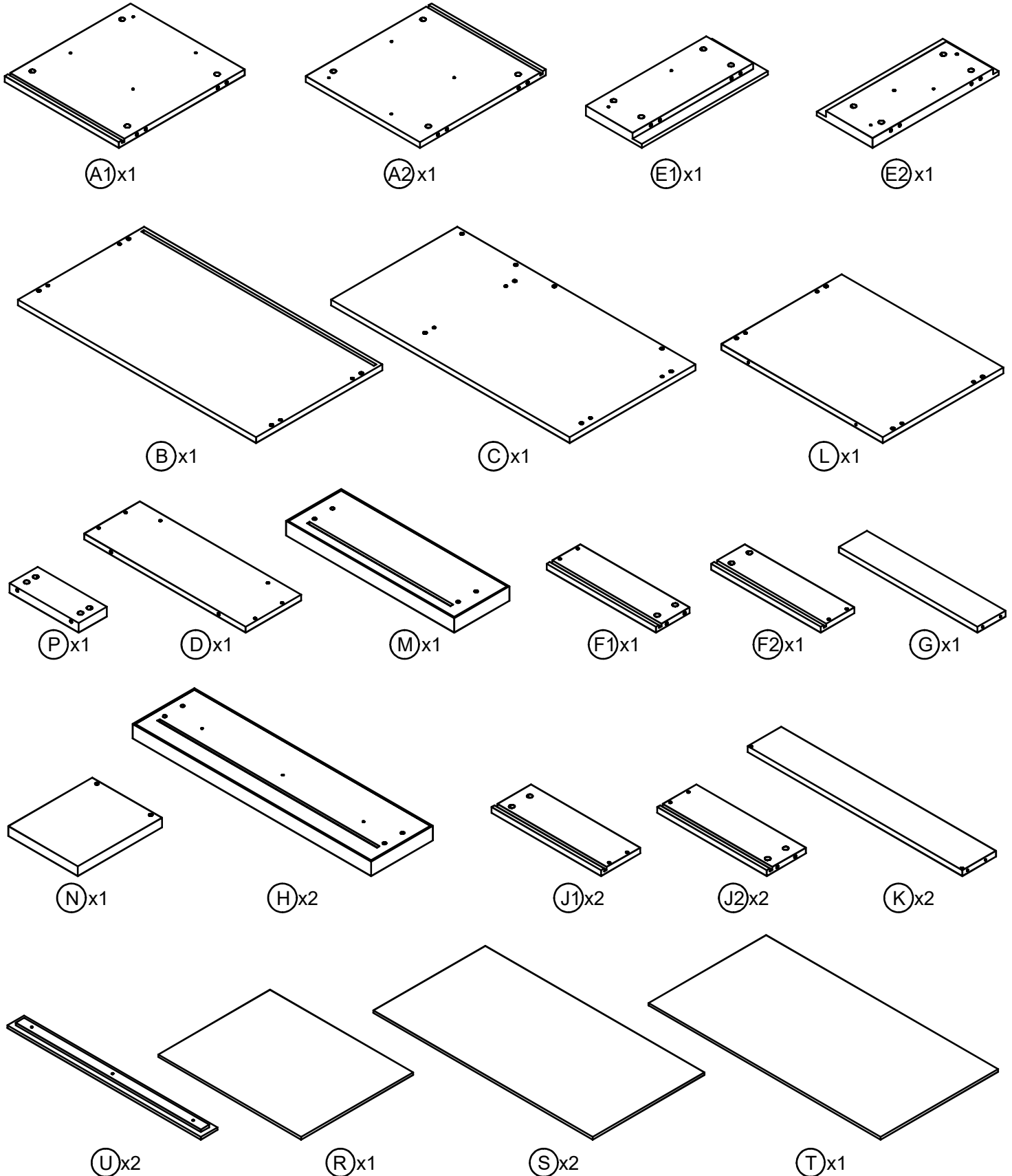
* Vertical Assembly Only.

* Please cover floor with corrugated board / paper to avoid scratches / damage to floor.

Assembly Checklist

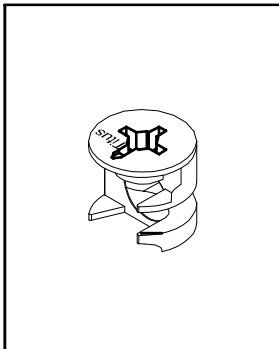
Please make sure that you have all of the below items before you start.

Parts supplied for assembly

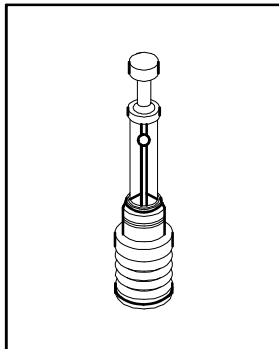


Part List	A1	A2	B	C	D	E1	E2	F1	F2	G	H	J1	J2	K	L	M	N	P	R	S	T	U	
Carton Box No.	1	1	1	1	2	2	2	2	2	2	1	2	2	1	2	2	2	2	2	2	1	1	1

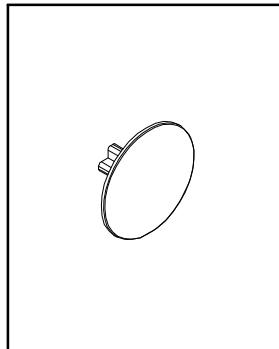
Hardware supplied for assembly



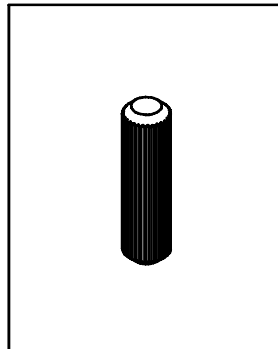
a x 34



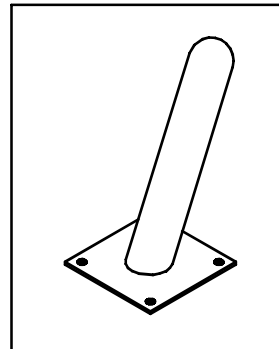
b x 34



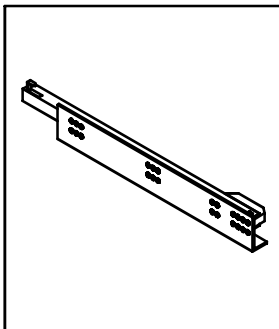
ac x 34



d x 16

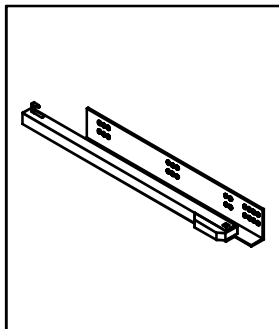


s x 4



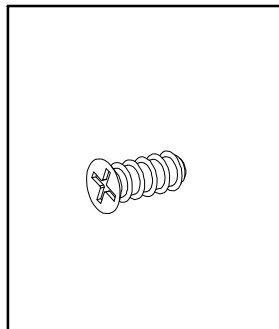
SOL / LEFT

aa x 3

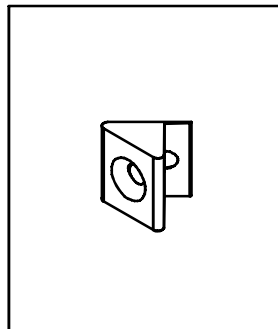


SAĞ / RIGHT

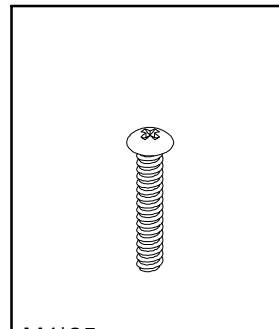
ab x 3



f x 12

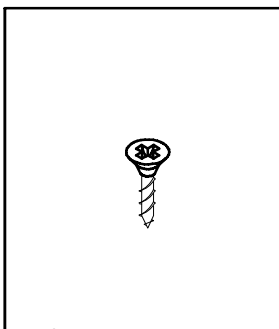


e x 6



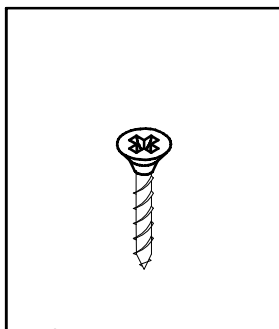
M4*25 mm

k x 6



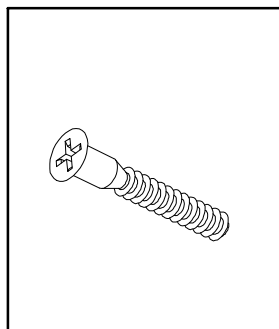
3,5*16 mm

n x 22

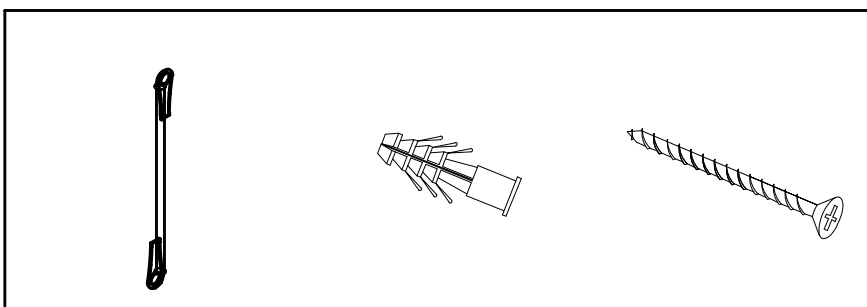
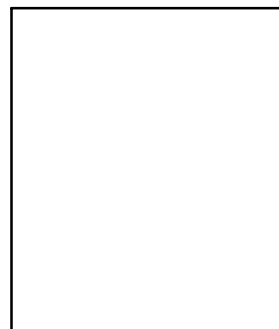


3,5*25 mm

p x 10



r x 20



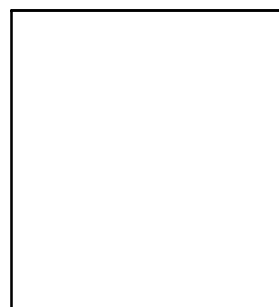
Ø8 mm

4*50 mm

u x 1

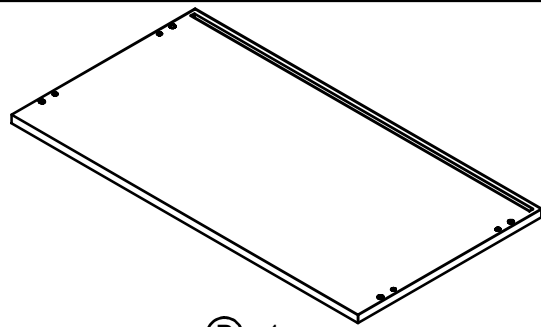
v x 1

y x 1



Step 1

Parts



(B) x1

Hardware



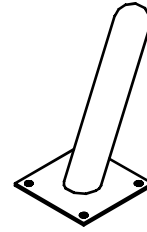
(b) x6



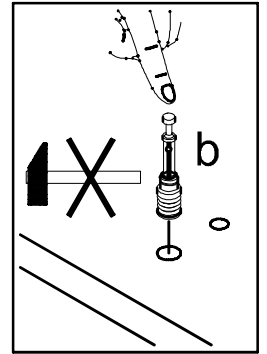
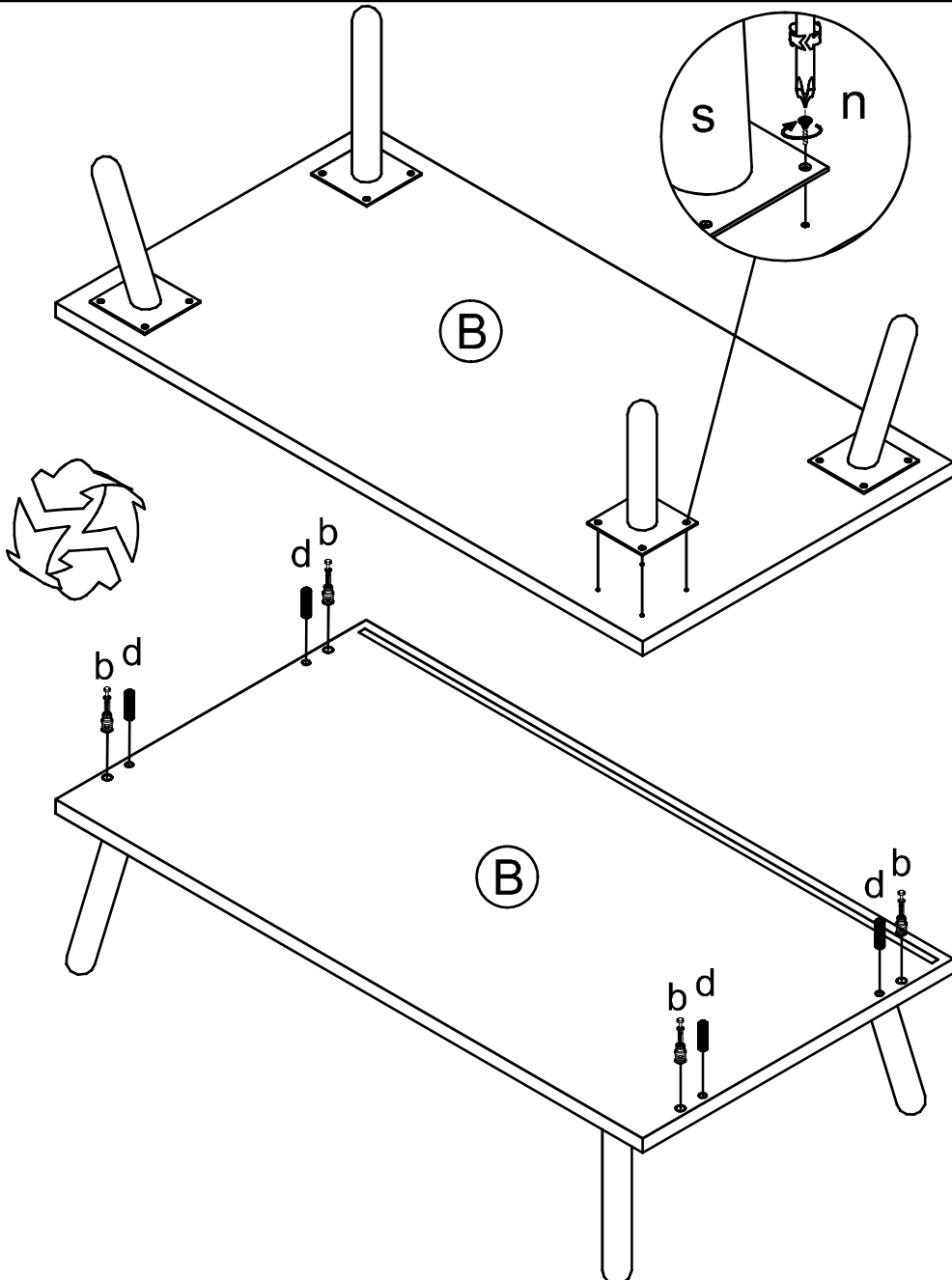
(d) x4



(n) x16

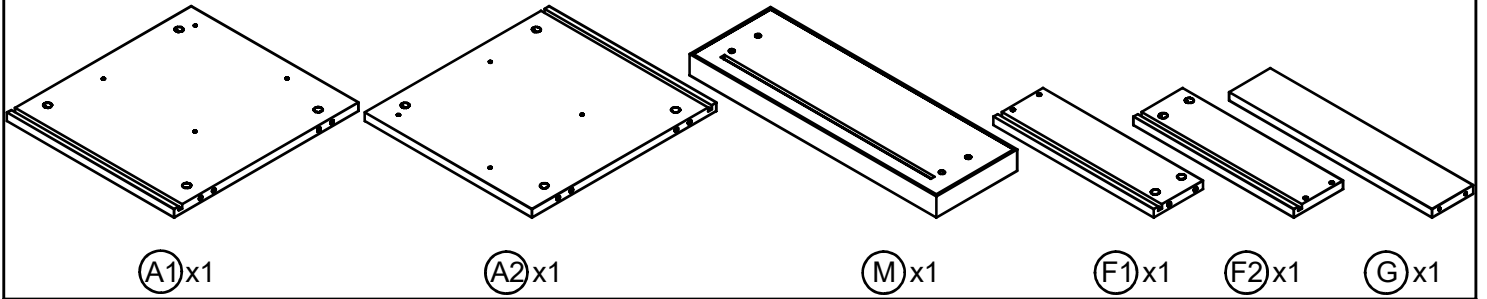


(s) x4

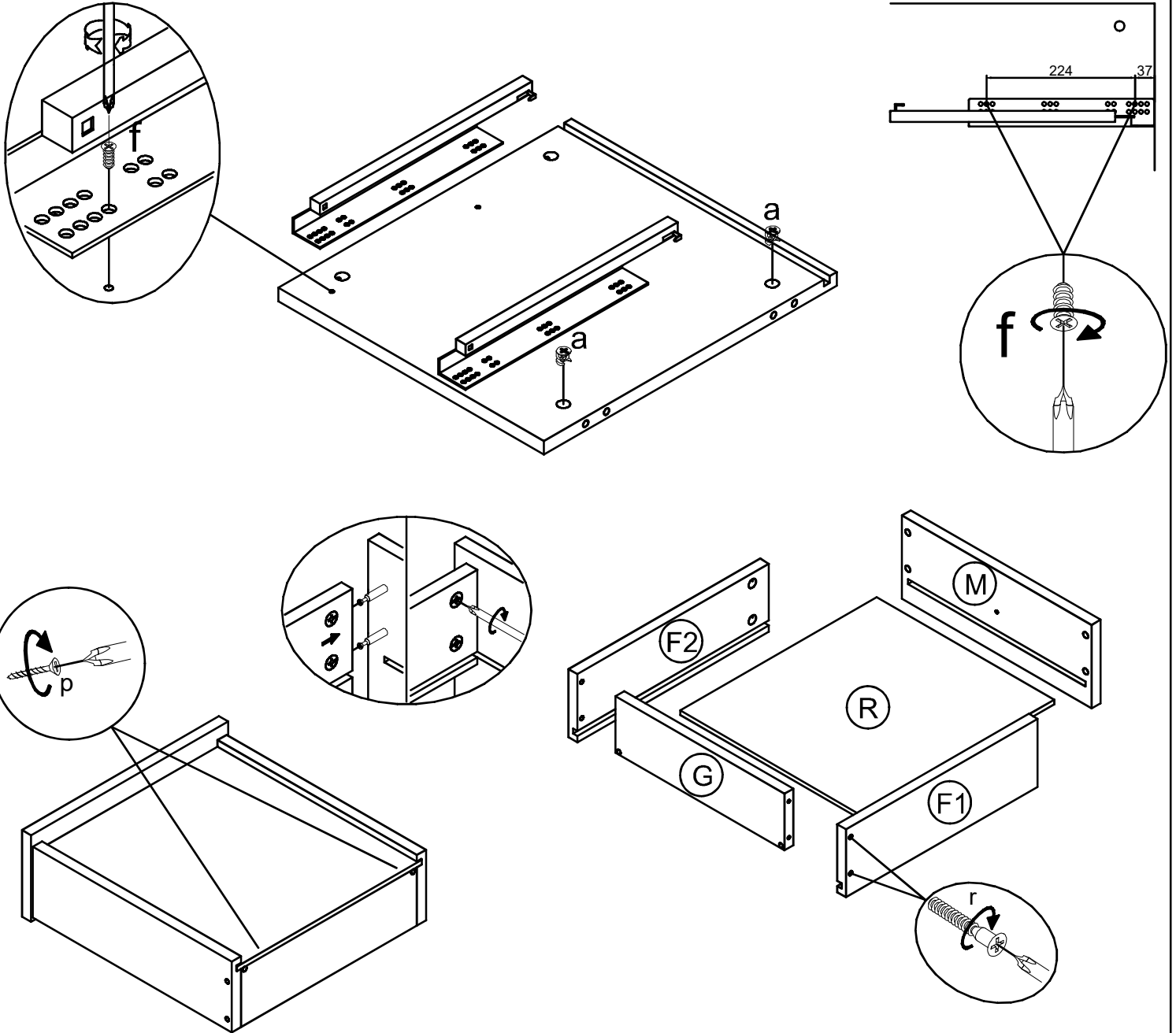
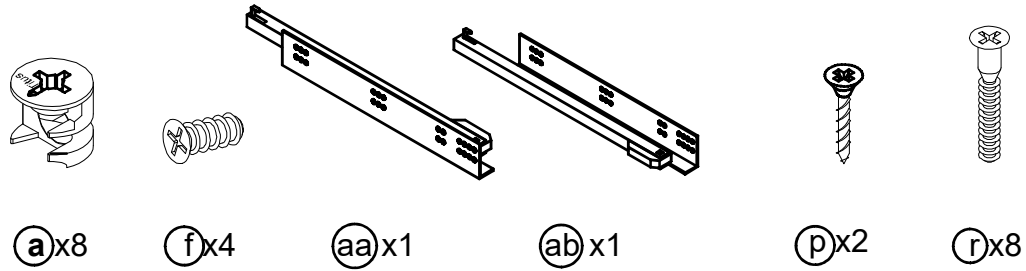


Step 2

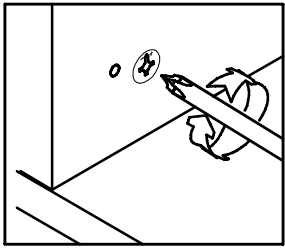
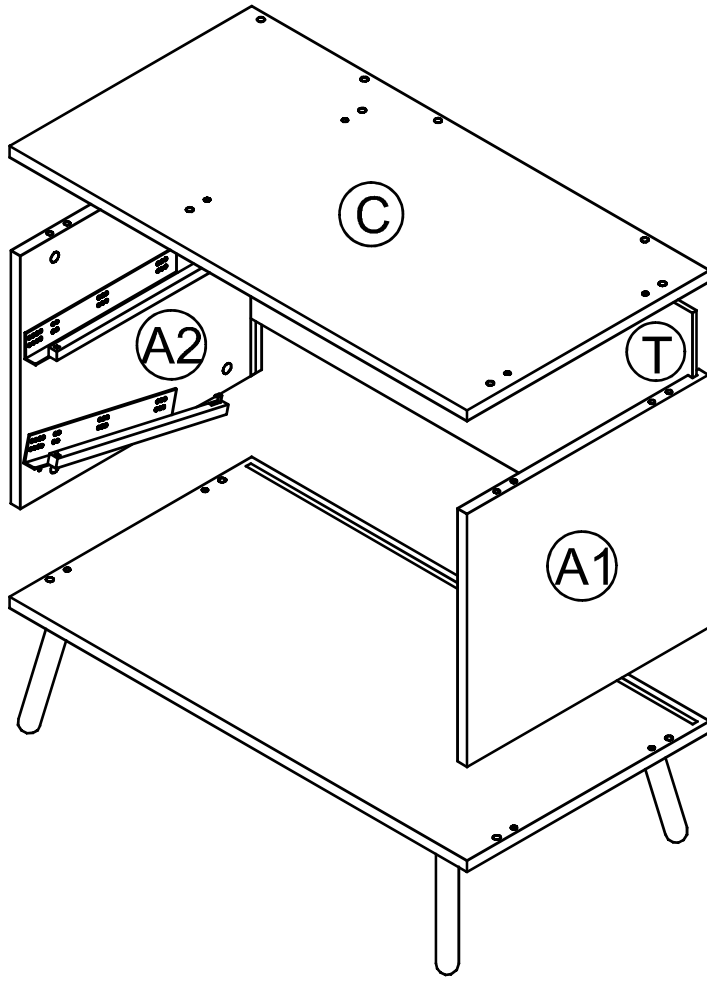
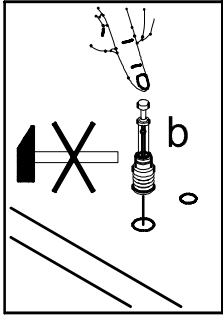
Parts



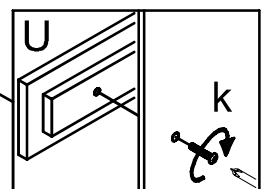
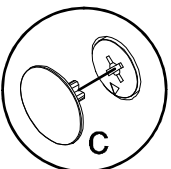
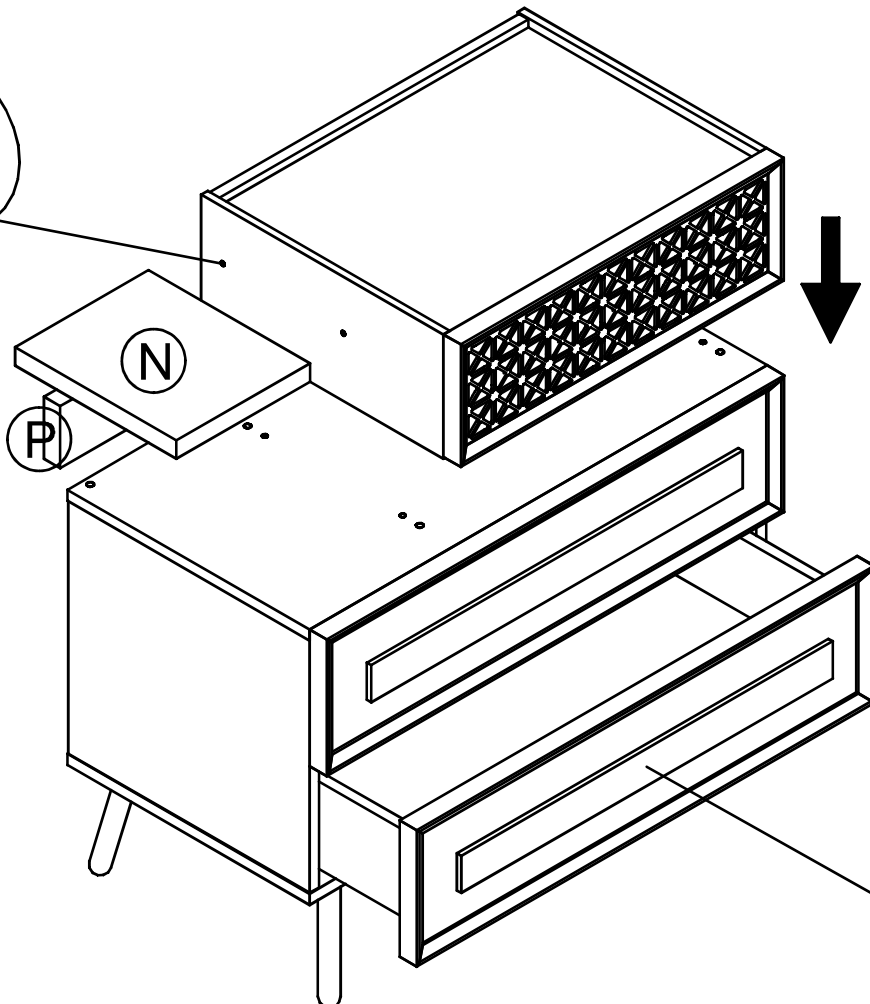
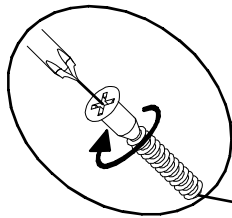
Hardware



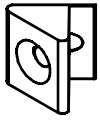
Step 4



Step 5



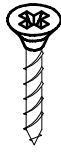
Step 6



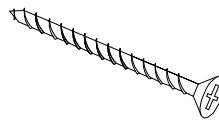
e x 6



n x 6



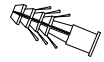
p x 1



y x 1



u x 1



v x 1

